

EN-US

LR 1250.1

LR 1004.03.07/08
www.liebherr.com

LIEBHERR

Crawler cranes

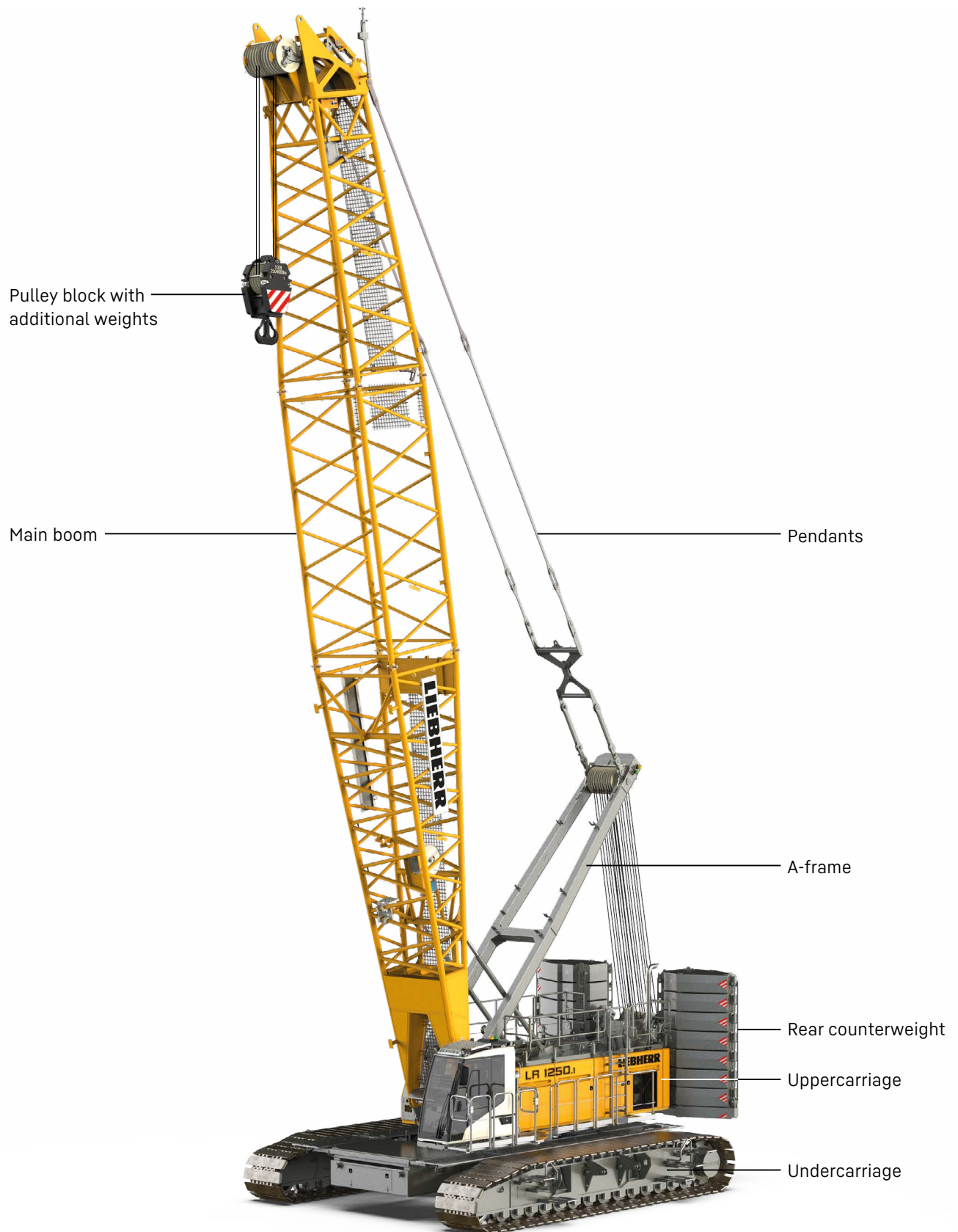


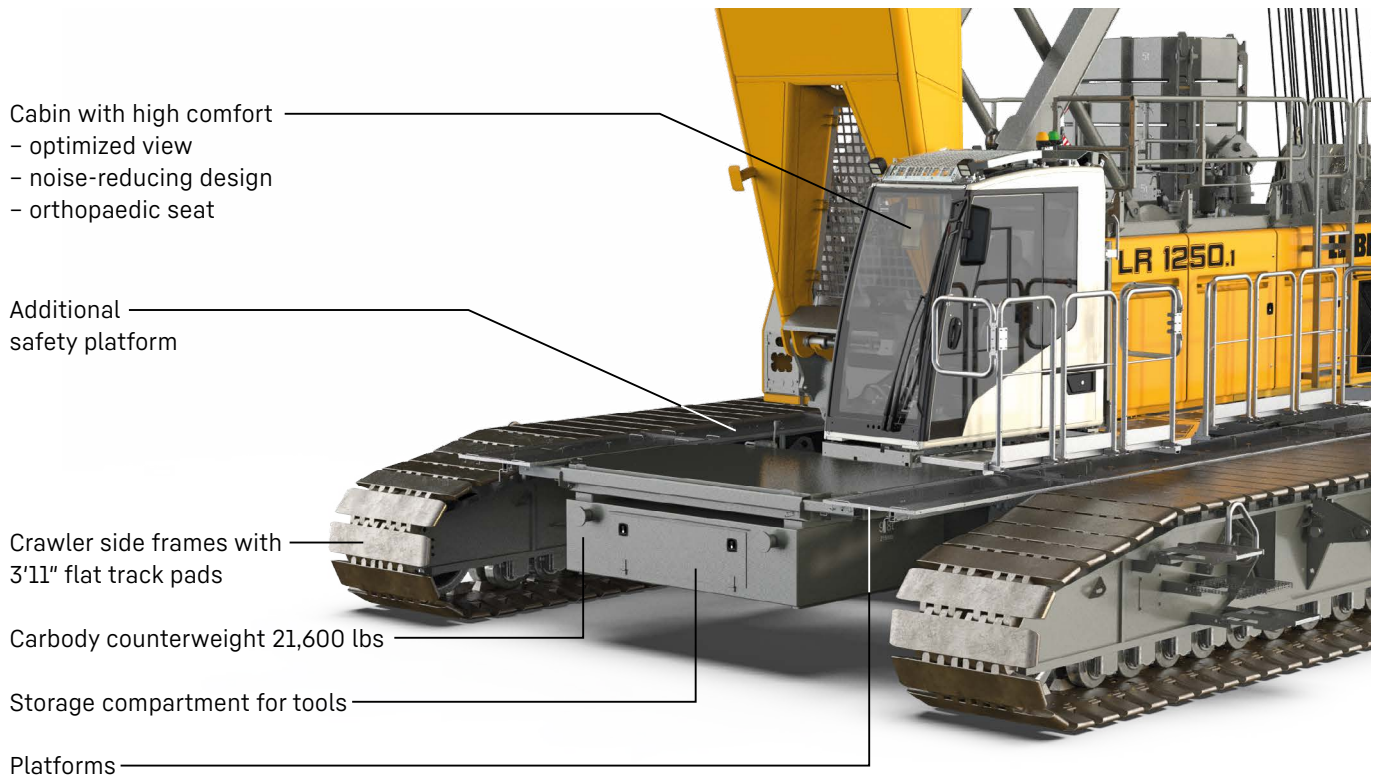
| | |
|---|----|
| Concept and characteristics | 3 |
| Technical description | 6 |
| Dimensions | 8 |
| Transport dimensions and weights | 9 |
| Self-assembly system | 14 |
| Boom combinations | 16 |
| Main boom 2320.xx | 18 |
| Main boom 2320.xx | 18 |
| Luffing jib 1713.xx | 20 |
| Luffing jib 1916.xx | 26 |
| Fixed jib 1008.xx | 32 |
| Fixed jib 0806.xx | 35 |
| Fixed jib 0906.21 | 38 |

Remarks

- The load capacities stated are valid for lifting operation only (corresponding with crane classification according to ISO 4301-1, crane group A1).
- Machine is standing on firm, horizontal ground.
- The weight of the lifting device (pulley block, hoist ropes, shackles, etc.) must be deducted from the load capacity.
- Additional equipment on boom (e.g. walkways) must be deducted from the load capacity.
- The max. admissible wind speed can be preselected in the LML software and referred to in the load chart.
- Working radii are measured from centre of swing ring and under load.
- The lifting capacities are valid for 360 degrees of swing.
- Calculation of stability under load is based on ANSI/ASME B 30.5 load ratings as well as ISO 4305 Table 2 and tested according to SAE J765 and SAE J987.
- Weights may vary depending on the delivered configuration of the machine, filling level of the tanks, as well as generally valid tolerances.
- The illustrations in this brochure may include options which are not within the standard scope of supply of the machine.

Concept and characteristics





High performance

A strong, efficient and reliable diesel engine of the newest generation provides high performance and enables several movements to be carried out simultaneously.

Ground pressure

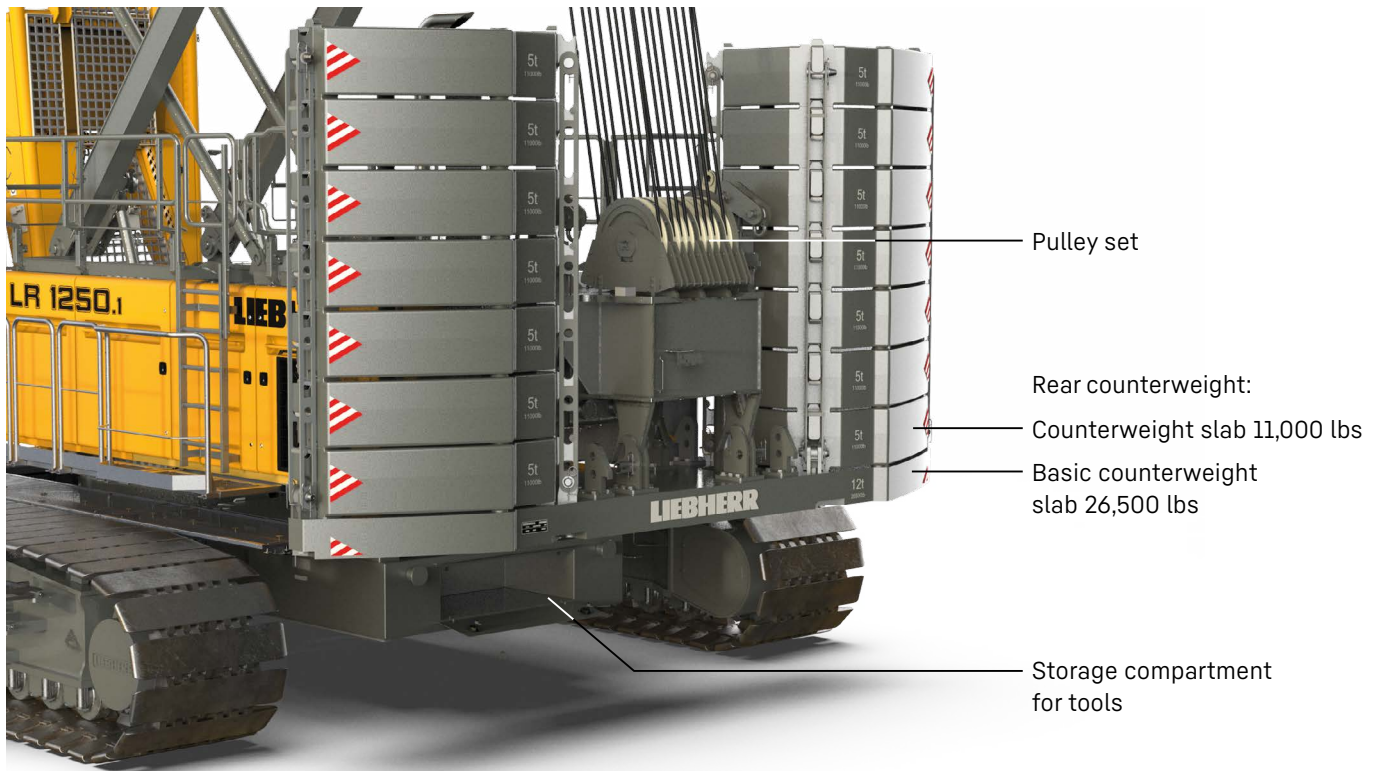
The actual ground pressure is calculated according to the configuration and position of the machine and displayed in the operator's cabin. Using the optional Liebherr Crane Planner the actual ground pressure can already be calculated and displayed in the planning stage.

Cabin with high comfort

Optimised field of vision combined with enhanced comfort: an orthopaedic operator's seat with heating and cooling functions, as well as precise and ergonomic controls are included.

Control system

Easy and intuitive handling of control, service and machine functions through a large, clear colour monitor. Built for extreme environmental conditions.



Pulley set

Rear counterweight:

Counterweight slab 11,000 lbs

Basic counterweight slab 26,500 lbs

Storage compartment for tools

Efficient self-assembly system and short assembly times

The self-assembly system enables safe, independent and quick assembly/disassembly of the crawler side frames, the carbody and rear counterweights, as well as boom elements.

Mobility

Crane parts are optimized for transportation. The maximum transport width is 9.84 ft.

Easy service

The design ensures easy maintenance and service as well as safe access to the components.

Boom/jib

A variety of boom systems and configurations allow for optimum operation on the most diverse jobsites.

Technical description



Diesel engine

| | |
|---|---|
| Power rating according to ISO 9249 | 230 kW (308 hp) at 1700 rpm |
| Engine type | Liebherr D 944 A7-04 |
| Fuel tank capacity | 209 gal with continuous level indicator and reserve warning |
| Exhaust certification | 97/68 EC Stage IV; EPA/CARB Tier 4f 97/68 EC Stage V; EPA/CARB Tier 4f ECE-R.96 Power Band H non-certified emission standard |



Noise measurement data and vibration

| | |
|--|---|
| Noise emission | according to 2000/14/EC directive |
| Emission sound pressure level L_{PA} | 72.9 dB(A) (in the cabin) |
| Guaranteed sound power level L_{WA} | 107 dB(A) (of the machine) |
| Vibration transmitted to the machine operator | < 8.20 ft/s ² (to the hand-arm system) < 1.64 ft/s ² (to the whole body) |



Hydraulic system

| | |
|------------------------------------|---|
| Hydraulic pumps | double axial displacement pump in open loop hydraulic system allows all functions to be operated simultaneously automatic working pressure cut-off to minimize peak pressure |
| Hydraulic oil tank capacity | 172 gal |
| Max. working pressure | 5,076 PSI |
| Hydraulic oil | electronic monitoring of alle filters use of synthetic environmentally friendly oil |



Control

| | |
|-----------------------|---|
| Control system | includes all control and monitoring functions, designed to withstand extreme environmental conditions and heavy construction tasks |
| Display | high resolution monitor in the operator's cabin, clear display of complete machine operating data, warnings and failure indications in the required language |
| Operation | several movements can be performed simultaneously thanks to electro-hydraulic proportional control, all categories of loads can be positioned with utmost precision |



Crawlers

| | |
|----------------------------|--|
| Drive system | with fixed axial piston hydraulic motors |
| Crawler side frames | maintenance-free, with hydraulic chain tensioning device |
| Brake | hydraulically released, spring-loaded multi-disc holding brake |
| Drive speed | 0-0.994 mph |
| Flat track pads | width 3.9 ft |



Swing gear

| | |
|----------------------|--|
| Drive system | with fixed axial piston hydraulic motors, planetary gearbox, pinion |
| Swing ring | roller bearing with external teeth |
| Brake | hydraulically released, spring-loaded multi-disc holding brake |
| Swing speed | 0-3 rpm continuously variable |
| Speed control | both swing modes are possible - speed control or free swing for speed control: a multi-disc holding brake locks automatically at zero swing motion. |



Hoisting gear

| | |
|--|---|
| Standard crane winches 1 + 2 | Internal low-maintenance planetary gearbox in oil bath, load support by the hydraulic system, spring-loaded, multi-disc holding brake, pressure controlled, variable flow hydraulic motors for the main winches, full utilisation of engine power as the winch speed is automatically adjusted to suit the respective line pull |
| Line pull in the 7th layer | 26,977 lbf |
| Rope diameter | 26 mm |
| Drum diameter | 1.9 ft |
| Rope speed | 0-446 ft/min |
| Rope capacity in 7 layers | 1604 ft |
| Option - winch with free fall | Free fall: clutch and braking functions are provided by the service brake (low wear and maintenance-free multi-disc brake in compact design) |



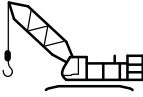




Boom/jib luffing winches

| | |
|----------------------|-----------------|
| Main boom | |
| Line pull | max. 40,466 lbf |
| Rope diameter | 24 mm |
| Boom luffing | 15-86° in 130 s |
| Jib | |
| Line pull | max. 23,605 lbf |
| Rope diameter | 20 mm |
| Jib luffing | 15-78° in 51 s |

Operating weight

| | |
|--|---|
| Composition of operating weight | basic machine with crawlers winches 1 + 2 (incl. ropes), A-frame 66 ft main boom, consisting of boom foot (33 ft), boom head (23 ft) and boom section (10 ft) 181,440 lbs rear counterweight (14 × 11,000 lbs + 1 × 26,500 lbs + 660 lbs) 79,400 lbs carbody counterweight 551,200 lbs pulley block |
| Total weight | approx. 462,971 lbs |

Operation modes

| |  Lifting mode |  Grab mode |  Personnel lifting mode |
|--|---|---|---|
|  Land | ✓ | ✓ | ✓ |
|  Floating structure (barge operation) | ✓ | ✓ | ✓ * |

* only valid for jack-up barges

Optional equipment

Basic machine

Main winches 26,455 lbs with free fall
 Painting in customer design
 Load hook 27,560 / 88,100 / 176,300 / 220,400 / 352,700 / 551,200 lbs

Economy and ecology

Eco-Silent Package
 Aux. power unit (APU, 2.8 kW)

Boom/jib

Luffing jib: luffing winch
 Carbon fibre pendants

Boom/jib other

Walkway for main boom foot, incl. fall protection
 Walkway for main boom head, incl. fall protection
 Rope guide for main boom walkway, incl. fall protection
 Additional fall protection harness for 1 person
 Walkways for main boom sections 10 / 20 / 40 ft
 Walkways for main boom sections 10 / 20 / 40 ft, incl. fall protection

Application packages

Operation mode: personnel lifting (O)
 Operation mode: barge operation (O)
 Operation mode: foundation work (O)
 Operation mode: wind speed pre-selection (S)
 Operation mode: travelling with load (S)

Winch synchronization

Radio remote control

Rope reeving function via radio remote control

Assembly radio remote control

Use of luffing jib winch as auxiliary winch

Tagline winch 4,409 lbs free fall

Main winch constant tension for one winch

Two hook operation

Cabin elevator 20 ft hydraulic

Special features

Crane Planner 2.0

LiDAT

Self-assembly system

Jack-up system standard / telescopic

Self-assembly system counterweight

Self-assembly cylinder

Reeving winch

Track shifting hydraulic

Service package

Refuelling pump diesel / AdBlue

Cold package -25 °C / -40 °C

Hydraulic oil bypass filter

Central lubrication swing ring bearings / outside

Liebherr hydraulic oil plus (longlife & bio)

Liebherr hydraulic oil plus arctic (longlife & bio)

Liebherr hydraulic oil plus arctic (longlife)

Safety features

Assistance system: Boom Up-and-Down Assistant

Assistance system: Horizontal Load Path

Assistance system: Vertical Line Finder

Assistance system: Ground Pressure Indication and Visualization

Rear and side view cameras

Winch camera

Zoom camera at boom head

Safety upgrade APAVE

Platforms and railings on uppercarriage 1.9 ft

Additional access ladder for boom assembly

Railings on rooftop foldable

Railings for cabin platform

Vandalism cabin protection

Cabin protection roof, FOPS level 1

Lifting height indication for both hoist winches

Plug&Play diesel-hydraulic back-up unit 18.4 kW

Swing and boom radius limit device

Aircraft warning light

Swing warning light

Lightning rod

Mechanical angle display

Air intake shut-off valve

Access control

Operator's comfort

Additional access ladder

Additional floodlights

Cabin air conditioner

Cabin tilting device hydraulic

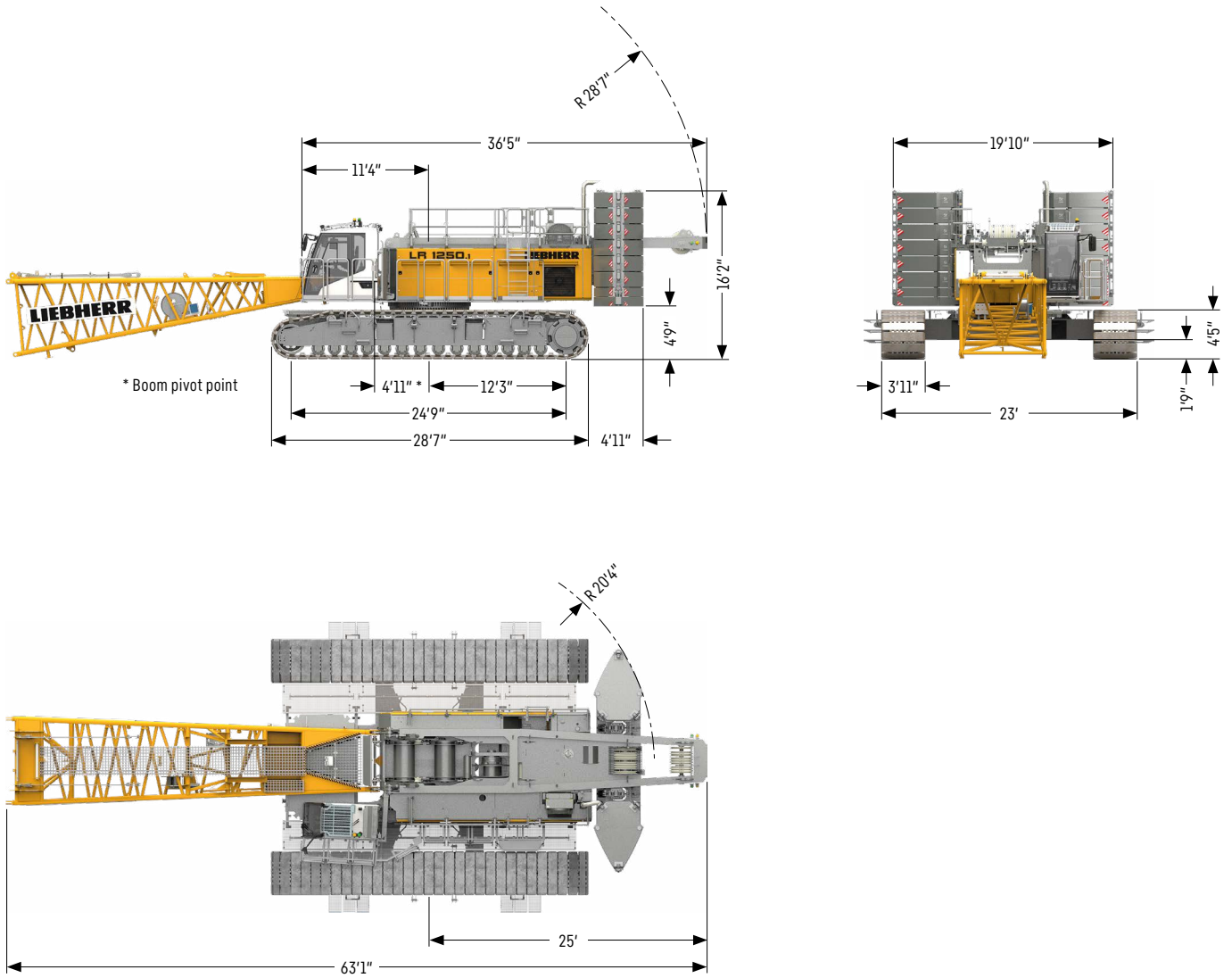
Gear oil level warning

Litronic additional language

(S) standard, (O) option

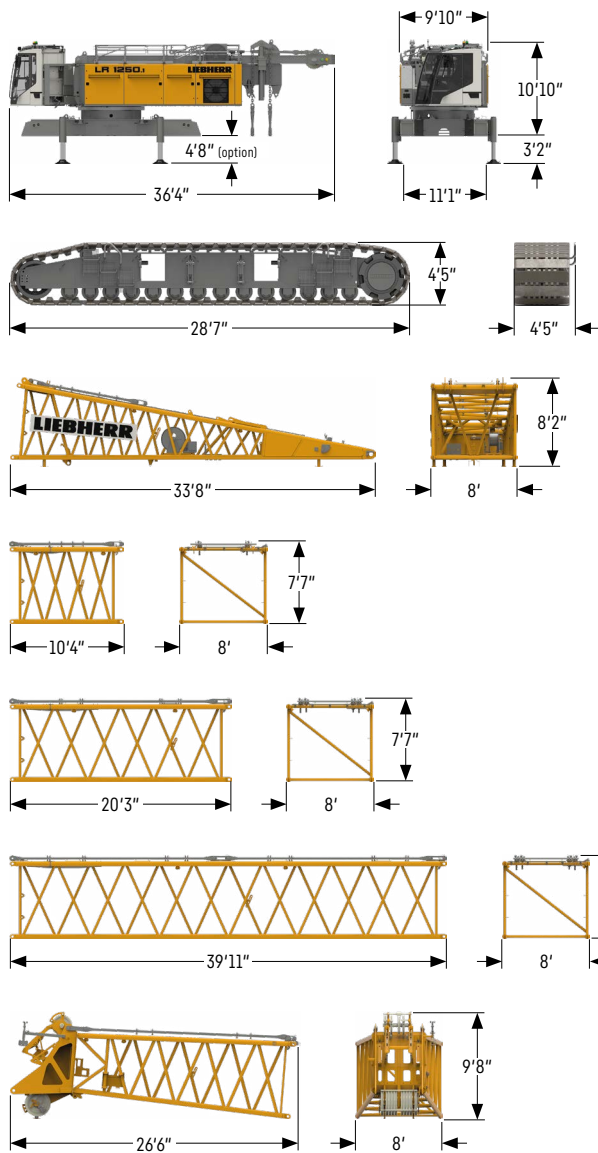
Dimensions

Basic machine with undercarriage



Transport dimensions and weights

Basic machine and main boom 2320.xx



Basic machine

| | | |
|---|--------|--------|
| Weight without hoist rope | lbs | 82,074 |
| Weight of hoist ropes | lbs/ft | 2.28 |
| with A-frame 1, winches 1 + 2 (2x 26,977 lbf), without boom foot, without rear counterweight, without carbody counterweight and crawler side frames | | |

Crawler side frame

| | | |
|-------------------------------|-----|--------|
| Weight flat track pads 3.9 ft | lbs | 43,388 |
|-------------------------------|-----|--------|

Boom foot 33 ft (No. 2320.25)

| | | |
|------------------------|-----|--------|
| Weight including winch | lbs | 10,642 |
| Weight without winch | lbs | 8,239 |

Boom section 10 ft (No. 2320.23)

| | | |
|--|-----|-------|
| Weight including boom pendants | lbs | 1,920 |
| Weight including boom and jib pendants | lbs | 1,894 |

Boom section 20 ft (No. 2320.23)

| | | |
|--|-----|-------|
| Weight including boom pendants | lbs | 2,963 |
| Weight including boom and jib pendants | lbs | 3,300 |

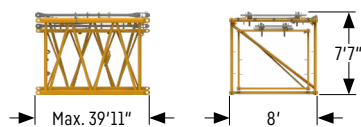
Boom section 40 ft (No. 2320.23)

| | | |
|--|-----|-------|
| Weight including boom pendants | lbs | 5,366 |
| Weight including boom and jib pendants | lbs | 6,034 |

Boom section 23 ft (No. 2320.23)

| | | |
|--------------------------------|-----|-------|
| Weight including boom pendants | lbs | 7,965 |
|--------------------------------|-----|-------|

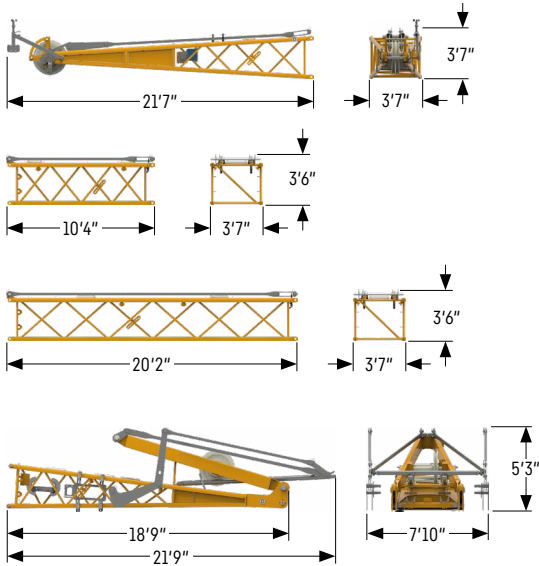
Transport option 2320.xx / 1916.xx



Transport option (No. 2320.xx / 1916.xx)

| | | | | |
|---------------------------|-----|-------|-------|-------|
| No. 2320.xx / 1916.xx | ft | 10/10 | 20/20 | 40/40 |
| Weight including pendants | lbs | 3,202 | 4,912 | 8,878 |

Fixed jib 1008.xx



Jib head 18 ft (No. 1008.20)

| | |
|---------------------------|-----------|
| Weight including pendants | lbs 1,925 |
|---------------------------|-----------|

Jib section 10 ft (No. 1008.17)

| | |
|---------------------------|---------|
| Weight including pendants | lbs 589 |
|---------------------------|---------|

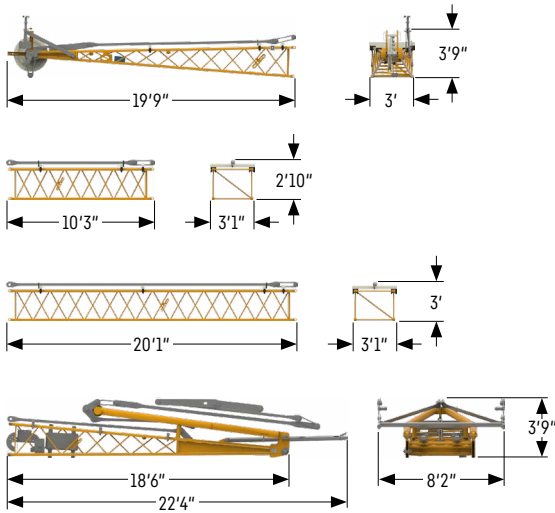
Jib section 20 ft (No. 1008.17)

| | |
|---------------------------|---------|
| Weight including pendants | lbs 988 |
|---------------------------|---------|

Jib foot 18 ft with A-frame (No. 1008.20)

| | |
|---------------------------|-----------|
| Weight including pendants | lbs 4,652 |
|---------------------------|-----------|

Fixed jib 0806.xx



Jib head 18 ft (No. 0806.16)

| | |
|---------------------------|---------|
| Weight including pendants | lbs 974 |
|---------------------------|---------|

Jib section 10 ft (No. 0806.15)

| | |
|---------------------------|---------|
| Weight including pendants | lbs 311 |
|---------------------------|---------|

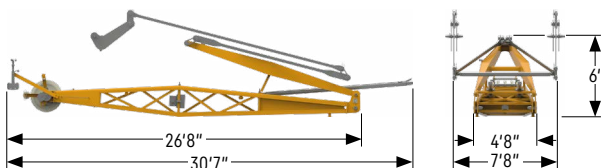
Jib section 20 ft (No. 0806.15)

| | |
|---------------------------|---------|
| Weight including pendants | lbs 549 |
|---------------------------|---------|

Jib foot 18 ft with A-frame (No. 0806.16)

| | |
|---------------------------|-----------|
| Weight including pendants | lbs 2,242 |
|---------------------------|-----------|

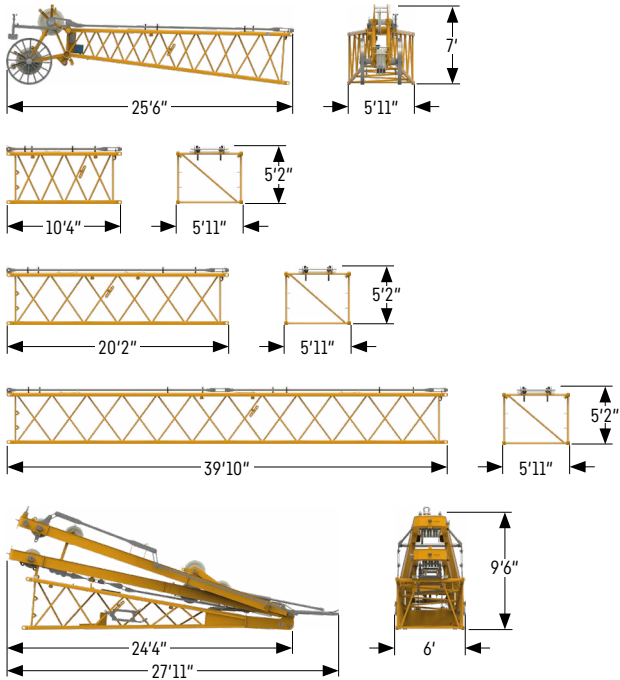
Fixed jib 0906.21



Fixed jib 23 ft (No. 0906.21)

| | |
|---------------------------|-----------|
| Weight including pendants | lbs 5,320 |
|---------------------------|-----------|

Luffing jib 1713.xx



Jib head 23 ft (No. 1713.21)

| | |
|---------------------------|-----------|
| Weight including pendants | lbs 3,034 |
|---------------------------|-----------|

Jib section 10 ft (No. 1713.18)

| | |
|---------------------------|---------|
| Weight including pendants | lbs 869 |
|---------------------------|---------|

Jib section 20 ft (No. 1713.18)

| | |
|---------------------------|-----------|
| Weight including pendants | lbs 1,376 |
|---------------------------|-----------|

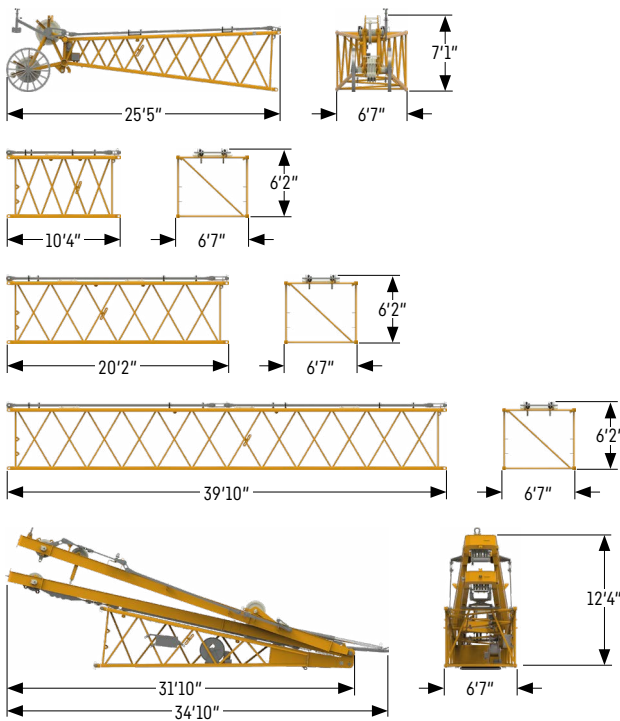
Jib section 40 ft (No. 1713.18)

| | |
|---------------------------|-----------|
| Weight including pendants | lbs 2,474 |
|---------------------------|-----------|

Jib foot 23 ft with A-frames 2 + 3 (No. 1713.22)

| | |
|---------------------------|------------|
| Weight including pendants | lbs 10,501 |
|---------------------------|------------|

Luffing jib 1916.xx



Jib head 23 ft (No. 1916.21)

| | |
|---------------------------|-----------|
| Weight including pendants | lbs 3,351 |
|---------------------------|-----------|

Jib section 10 ft (No. 1916.18)

| | |
|---------------------------|-----------|
| Weight including pendants | lbs 1,089 |
|---------------------------|-----------|

Jib section 20 ft (No. 1916.18)

| | |
|---------------------------|-----------|
| Weight including pendants | lbs 1,612 |
|---------------------------|-----------|

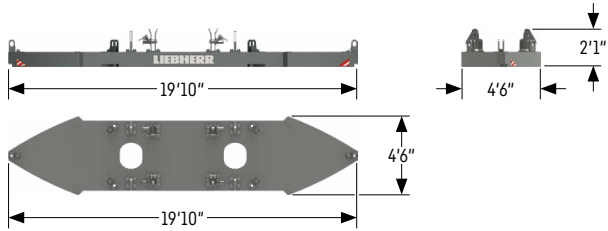
Jib section 40 ft (No. 1916.18)

| | |
|---------------------------|-----------|
| Weight including pendants | lbs 2,837 |
|---------------------------|-----------|

Jib foot 23 ft with A-frames 2 + 3 (No. 1916.22)

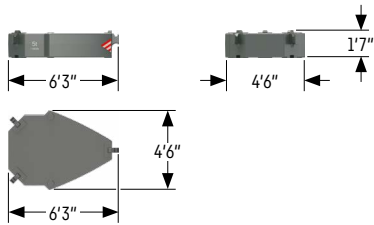
| | |
|---------------------------|------------|
| Weight including pendants | lbs 13,750 |
|---------------------------|------------|

Counterweight



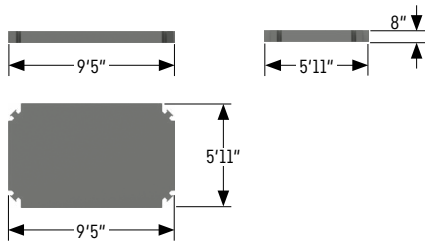
Basic counterweight slab without tie-down (1x)

| | |
|--------|------------|
| Weight | lbs 26,500 |
|--------|------------|



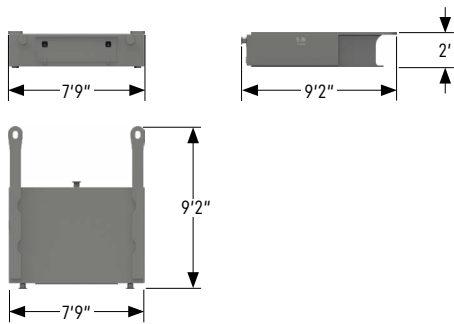
Counterweight slab (14x)

| | |
|--------|------------|
| Weight | lbs 11,000 |
|--------|------------|



Carbody counterweight slab (2x)

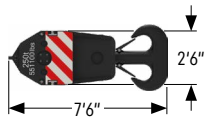
| | |
|--------|------------|
| Weight | lbs 18,300 |
|--------|------------|



Carbody counterweight (2x)

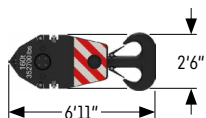
| | |
|--------|------------|
| Weight | lbs 21,600 |
|--------|------------|

Pulley block with additional weights / load hooks



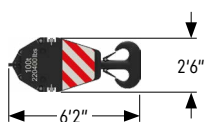
551,200 lbs pulley block - 11 pulleys

| | |
|--------|-------------------|
| Width | 4'1" |
| Weight | lbs 5,070 / 7,055 |



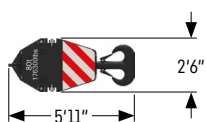
352,700 lbs pulley block - 7 pulleys

| | |
|--------|---------------------------|
| Width | 2'11" |
| Weight | lbs 3,307 / 4,960 / 6,614 |



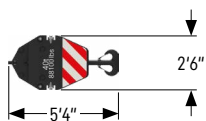
220,400 lbs pulley block - 5 pulleys

| | |
|--------|---------------------------|
| Width | 2'5" |
| Weight | lbs 2,866 / 3,968 / 5,071 |



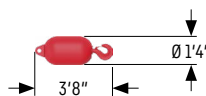
176,300 lbs pulley block - 3 pulleys

| | |
|--------|---------------------------|
| Width | 1'10" |
| Weight | lbs 2,205 / 3,307 / 4,409 |



88,100 lbs pulley block - 1 pulley

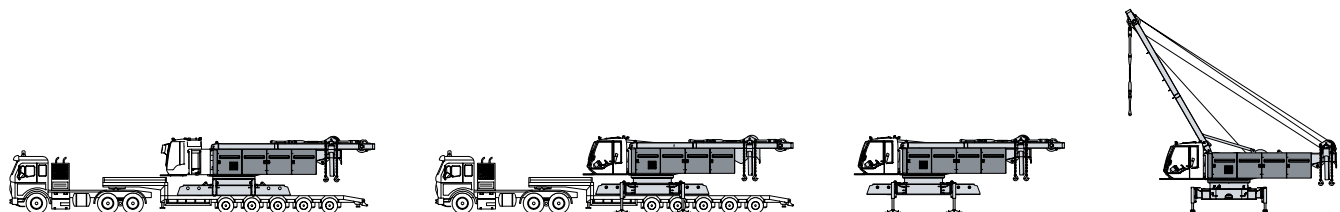
| | |
|--------|---------------------------|
| Width | 1'7" |
| Weight | lbs 1,543 / 2,425 / 3,307 |



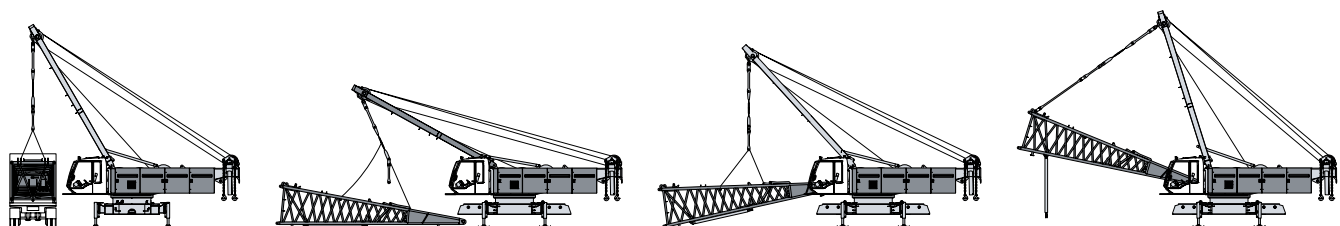
27,560 lbs load hook

| | |
|--------|-----------|
| Weight | lbs 1,323 |
|--------|-----------|

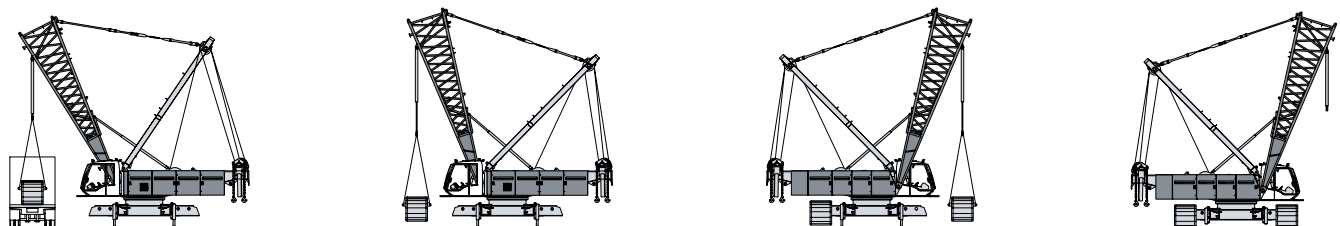
Self-assembly system



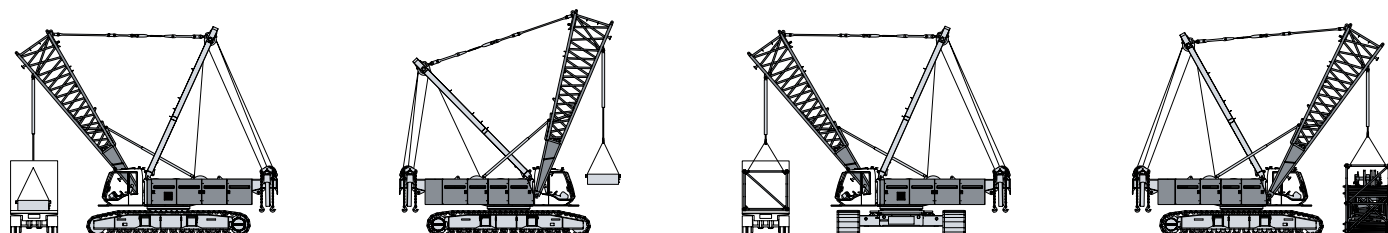
Unloading of basic machine



Unloading and assembly of boom foot

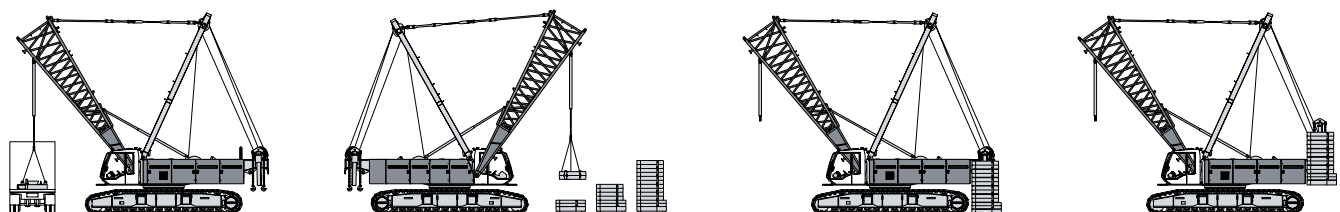


Unloading and assembly of crawler side frames

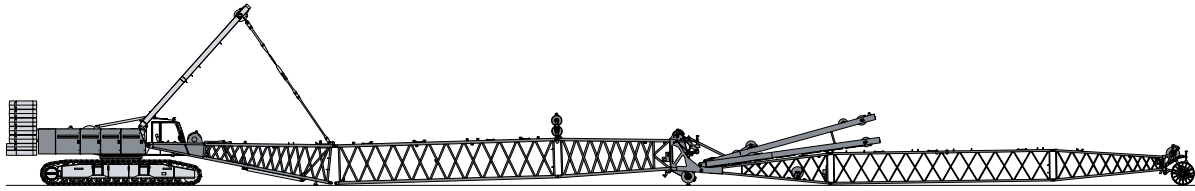


Unloading and assembly of carbody counterweight

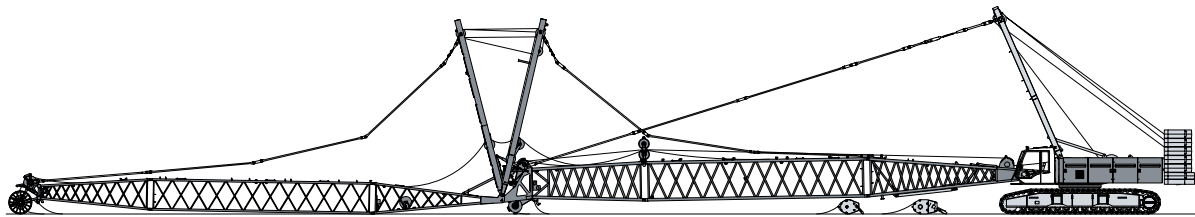
Unloading and assembly of boom



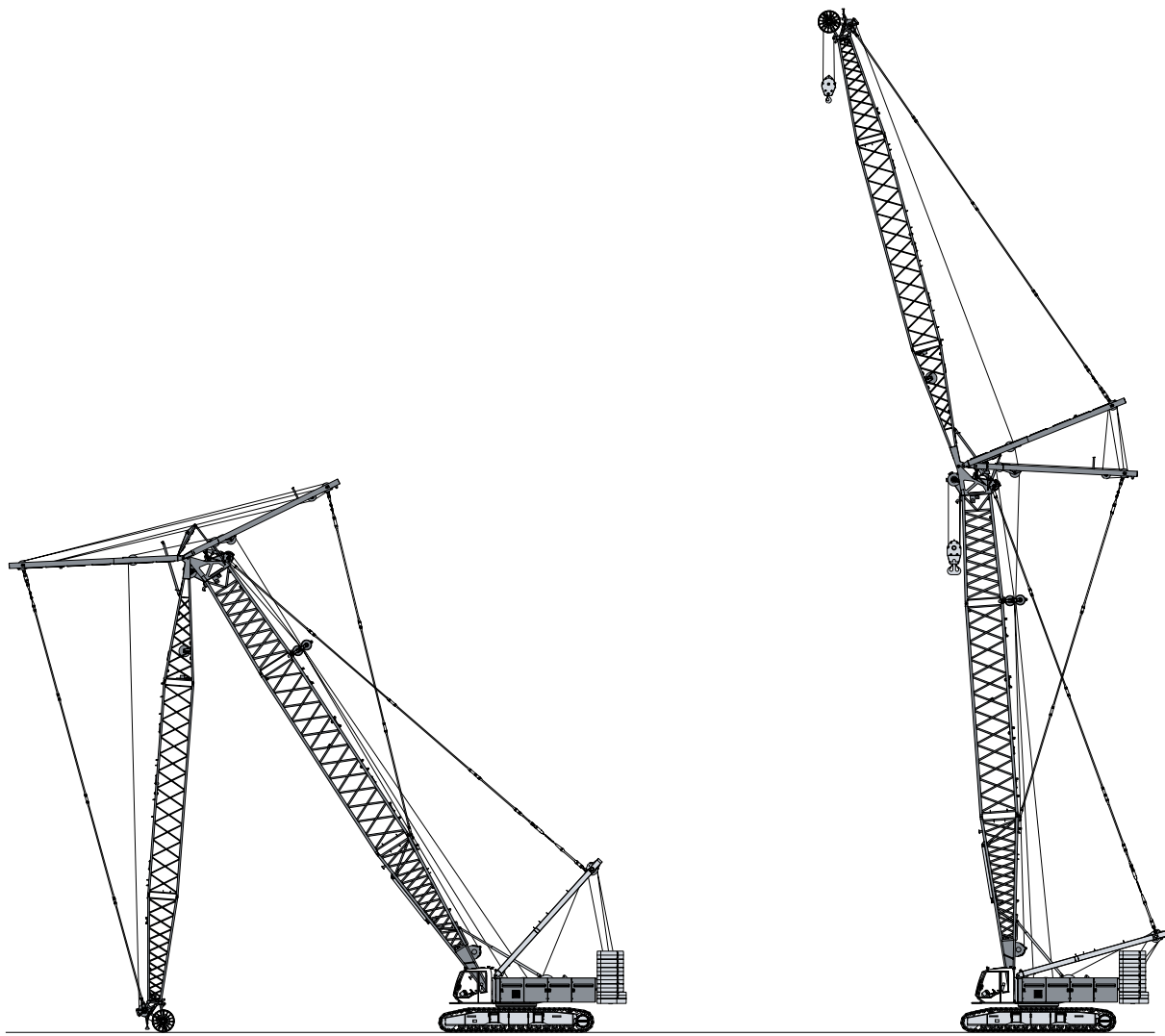
Unloading and assembly of rear counterweight



Assembly of boom

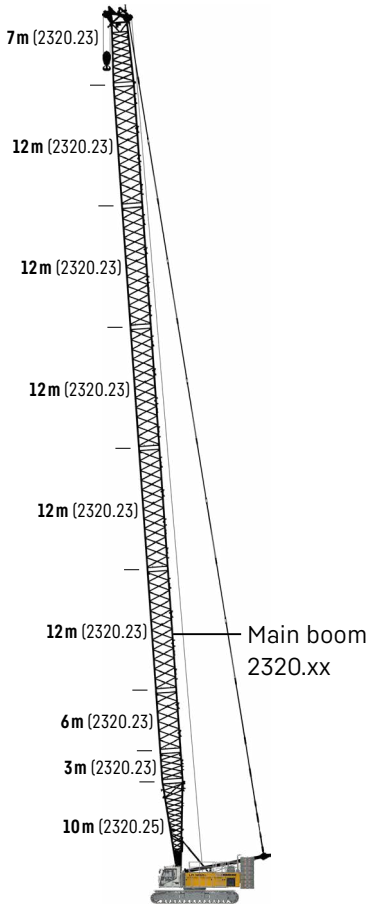


Reeving of hoist and luffing jib ropes



Erecting of main boom and luffing jib

Boom combinations



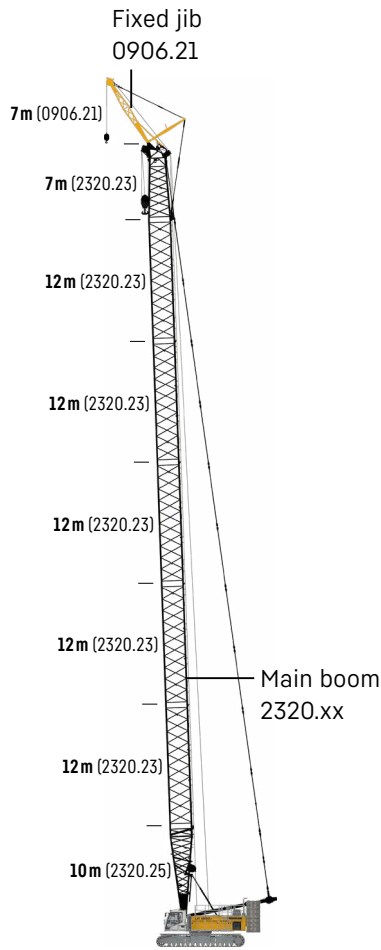
Main boom

Mode 1

Max. length

2320.xx ft 282

Further information on page 18.



Main boom + fixed jib

Mode 3

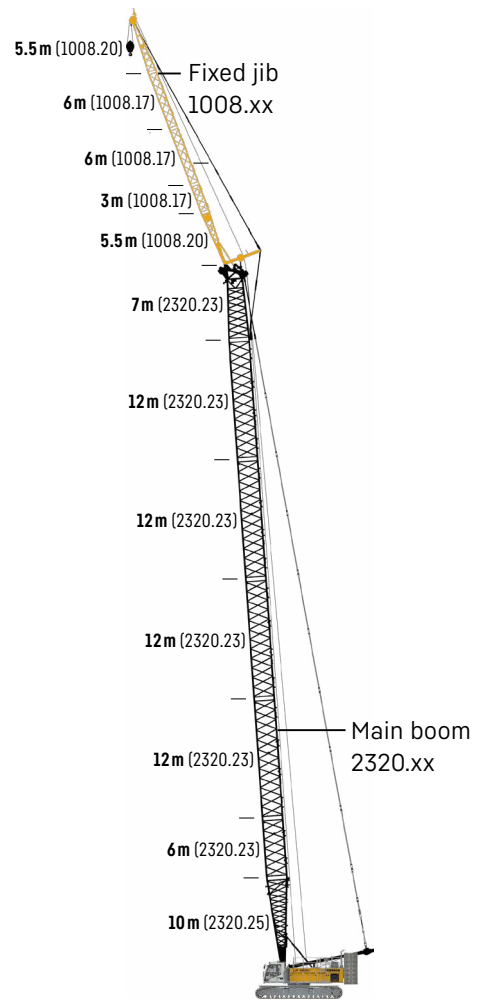
Max. combination

2320.xx ft 253

0906.21 ft 23

Total length ft 276

Further information on page 38.



Main boom + fixed jib

Mode 3

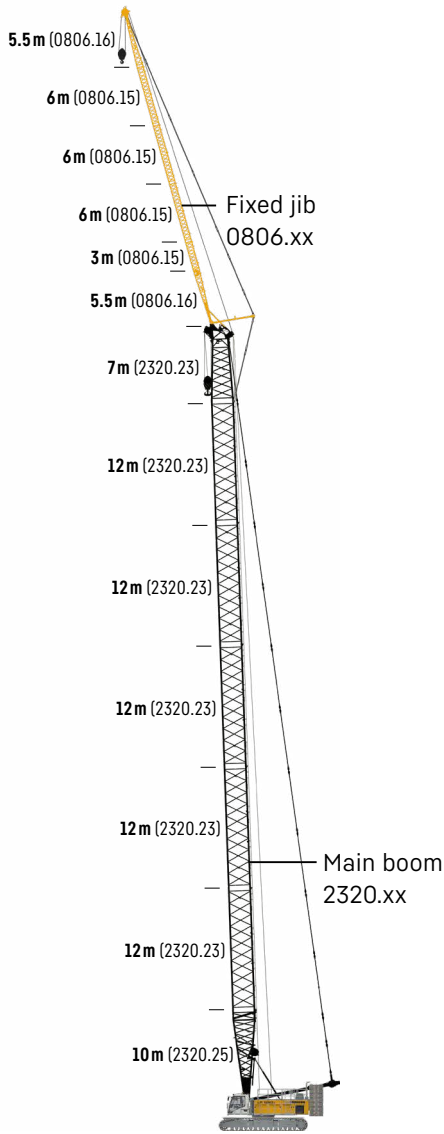
Max. combination

2320.xx ft 233 243

1008.xx ft 85 56

Total length ft 318 299

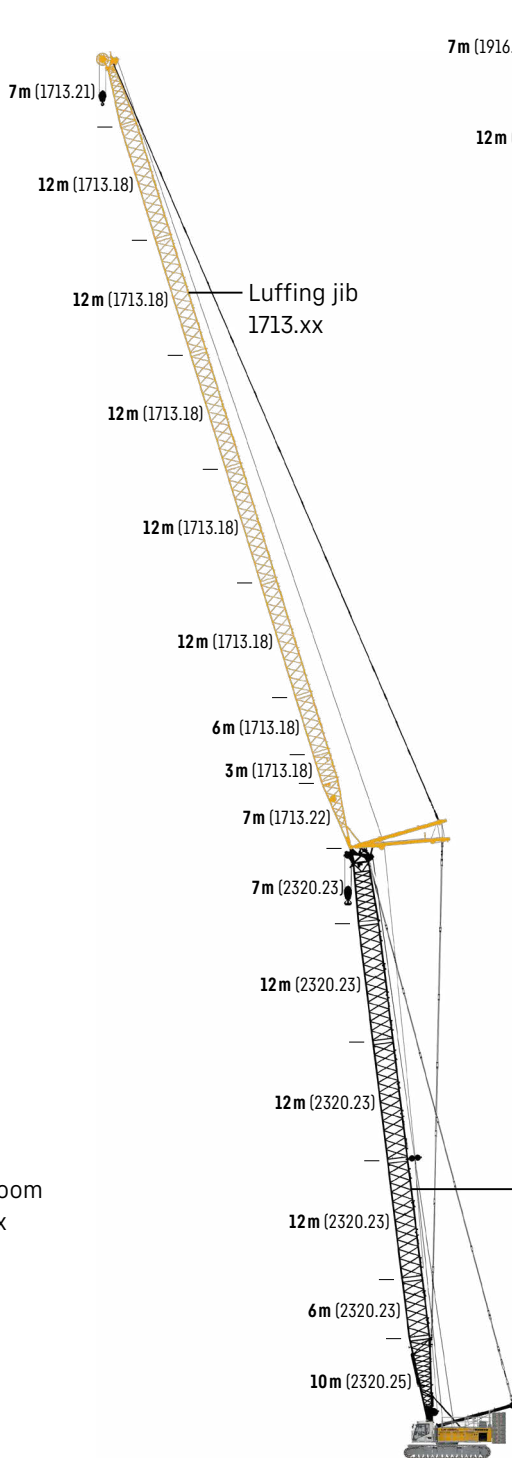
Further information on page 32.



Main boom + fixed jib

| | | |
|-------------------------|---------------|------------|
| Mode 3 | | |
| Max. combination | | |
| 2320.xx | ft 253 | 262 |
| 0806.xx | ft 105 | 76 |
| Total length | ft 358 | 338 |

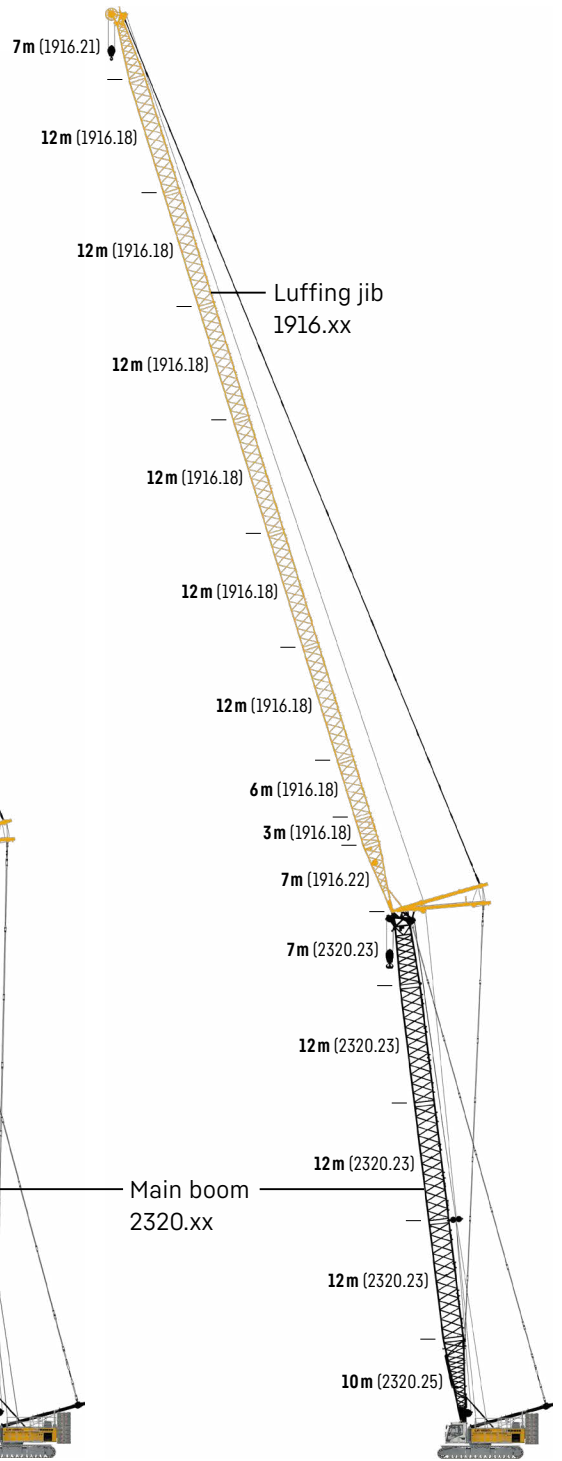
Further information on page 35.



Main boom + luffing jib

| | | | |
|-------------------------|---------------|------------|------------|
| Mode 4 | | | |
| Max. combination | | | |
| 2320.xx | ft 194 | 203 | 213 |
| 1713.xx | ft 272 | 213 | 144 |
| Total length | ft 466 | 416 | 357 |

Further information on page 20.



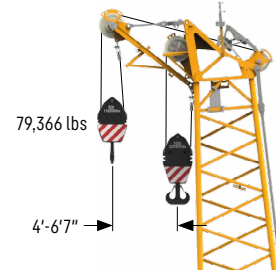
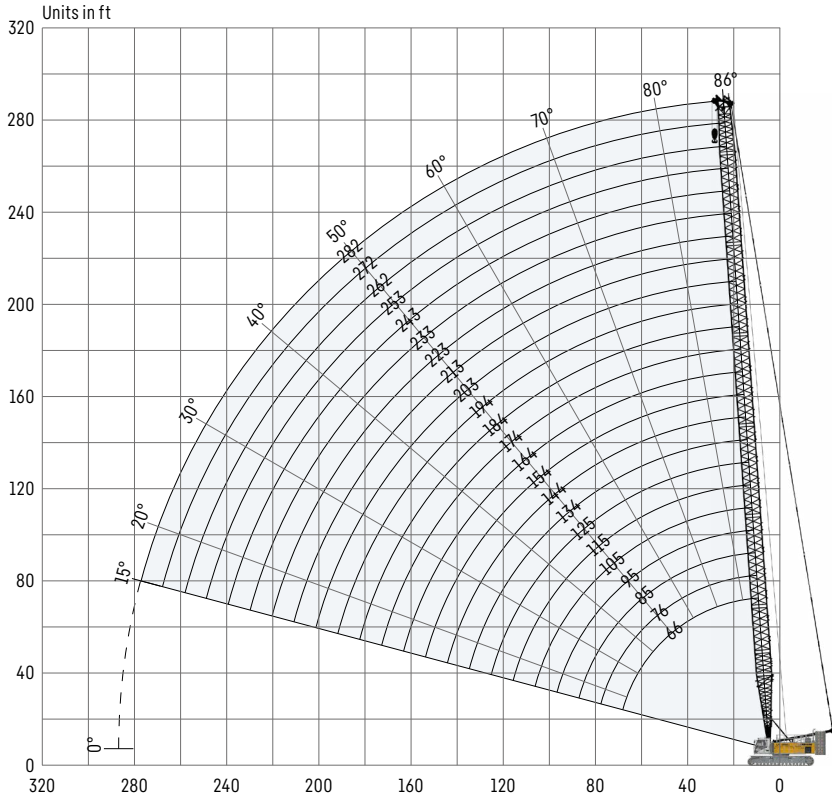
Main boom + luffing jib

| | | | |
|-------------------------|---------------|------------|------------|
| Mode 4 | | | |
| Max. combination | | | |
| 2320.xx | ft 174 | 184 | 194 |
| 1916.xx | ft 312 | 243 | 174 |
| Total length | ft 486 | 427 | 368 |

Further information on page 26.

Main boom 2320.xx

Boom lengths 66-282 ft



Auxiliary jib 79,366 lbs (option)
 The maximum capacity of the auxiliary jib is 79,366 lbs. The corresponding load chart is programmed in the LML system.

Main boom configuration 2320.xx

| Boom section | Amount of boom sections | | | | | | | | | | | |
|-------------------------|-------------------------|-----------|-----------|-----------|------------|------------|------------|------------|------------|------------|------------|------------|
| | 66 | 76 | 85 | 95 | 105 | 115 | 125 | 134 | 144 | 154 | 164 | 174 |
| Boom foot 33 ft | 1 | 1 | 1 | 1 | 1 | 1 | 1 | 1 | 1 | 1 | 1 | 1 |
| Boom section 10 ft | 1 | | 1 | | 1 | | 1 | | 1 | | 1 | |
| Boom section 20 ft | | 1 | 1 | | | 1 | 1 | | | 1 | 1 | |
| Boom section 40 ft | | | | 1 | 1 | 1 | 1 | 2 | 2 | 2 | 2 | 3 |
| Boom head 23 ft | 1 | 1 | 1 | 1 | 1 | 1 | 1 | 1 | 1 | 1 | 1 | 1 |
| Boom length [ft] | 66 | 76 | 85 | 95 | 105 | 115 | 125 | 134 | 144 | 154 | 164 | 174 |
| Auxiliary jib | ✓ | ✓ | ✓ | ✓ | ✓ | ✓ | ✓ | ✓ | ✓ | ✓ | ✓ | ✓ |

| | | | | | | | | | | | | |
|-------------------------|------------|------------|------------|------------|------------|------------|------------|------------|------------|------------|------------|--|
| Boom foot 33 ft | 1 | 1 | 1 | 1 | 1 | 1 | 1 | 1 | 1 | 1 | 1 | |
| Boom section 10 ft | 1 | | 1 | | 1 | | 1 | | 1 | | 1 | |
| Boom section 20 ft | | 1 | 1 | | | 1 | 1 | | | 1 | 1 | |
| Boom section 40 ft | 3 | 3 | 3 | 4 | 4 | 4 | 4 | 5 | 5 | 5 | 5 | |
| Boom head 23 ft | 1 | 1 | 1 | 1 | 1 | 1 | 1 | 1 | 1 | 1 | 1 | |
| Boom length [ft] | 184 | 194 | 203 | 213 | 223 | 233 | 243 | 253 | 262 | 272 | 282 | |
| Auxiliary jib | ✓ | ✓ | ✓ | ✓ | ✓ | ✓ | ✓ | ✓ | ✓ | | | |

Load capacities with main boom

Load capacities in 1000 lbs with 181,440 lbs rear counterweight and 79,400 lbs carbody counterweight

| Radius [ft] | Boom length [ft] | | | | | | | | | | | |
|-------------|------------------|-------|-------|-------|-------|-------|-------|-------|-------|-------|-------|------|
| | 66 | 85 | 105 | 125 | 144 | 164 | 184 | 203 | 223 | 243 | 262 | 282 |
| 18.9 | | | | | 279.9 | | | | | | | |
| 20 | | | | 318.4 | 279.9 | | | | | | | |
| 30 | 271.4 | 271.6 | 271.6 | 266.9 | 248.0 | 224.2 | 195.7 | 170.1 | 147.0 | 127.7 | 111.4 | 94.4 |
| 50 | 130.5 | 130.4 | 130.2 | 129.8 | 129.3 | 128.7 | 128.2 | 127.5 | 127.0 | 119.4 | 104.8 | 90.4 |
| 60 | 102.0 | 102.1 | 101.9 | 101.4 | 100.9 | 100.2 | 99.6 | 98.9 | 98.3 | 97.6 | 96.9 | 87.9 |
| 70 | 26.6 | 83.2 | 83.0 | 82.4 | 81.9 | 81.2 | 80.6 | 79.8 | 79.2 | 78.4 | 77.7 | 76.9 |
| 85 | | 63.9 | 64.0 | 63.4 | 62.9 | 62.2 | 61.5 | 60.7 | 60.0 | 59.2 | 58.5 | 57.7 |
| 95 | | | 55.0 | 54.5 | 53.9 | 53.2 | 52.5 | 51.7 | 51.0 | 50.2 | 49.4 | 48.6 |
| 105 | | | 47.7 | 47.4 | 46.9 | 46.1 | 45.4 | 44.6 | 43.9 | 43.1 | 42.3 | 41.4 |
| 115 | | | | 41.5 | 41.1 | 40.4 | 39.7 | 38.9 | 38.1 | 37.3 | 36.5 | 35.6 |
| 125 | | | | 36.6 | 36.3 | 35.6 | 34.9 | 34.1 | 33.3 | 32.5 | 31.7 | 30.8 |
| 135 | | | | | 32.2 | 31.6 | 30.9 | 30.1 | 29.3 | 28.5 | 27.7 | 26.8 |
| 145 | | | | | 28.7 | 28.1 | 27.5 | 26.7 | 26.0 | 25.2 | 24.4 | 23.5 |
| 155 | | | | | | 25.2 | 24.6 | 23.8 | 23.1 | 22.2 | 21.4 | 20.5 |
| 165 | | | | | | 22.5 | 22.0 | 21.2 | 20.5 | 19.6 | 18.8 | 17.9 |
| 180 | | | | | | | 18.6 | 17.9 | 17.1 | 16.3 | 15.5 | 14.6 |
| 200 | | | | | | | | 14.2 | 13.5 | 12.7 | 11.9 | 11.0 |
| 220 | | | | | | | | | 10.4 | 9.7 | 8.9 | 8.0 |
| 240 | | | | | | | | | | 7.1 | 6.4 | 5.6 |
| 260 | | | | | | | | | | | 4.3 | 3.5 |
| 275 | | | | | | | | | | | | 2.1 |

Load capacities in 1000 lbs with 159,400 lbs rear counterweight and 79,400 lbs carbody counterweight

| Radius [ft] | Boom length [ft] | | | | | | | | | | | |
|-------------|------------------|-------|-------|-------|-------|-------|-------|-------|-------|-------|-------|-------|
| | 66 | 85 | 105 | 125 | 144 | 164 | 184 | 203 | 223 | 243 | 262 | 272 |
| 13.4 | 484.9 | | | | | | | | | | | |
| 20 | 416.2 | 395.0 | 363.3 | 318.4 | 279.9 | | | | | | | |
| 30 | 249.2 | 249.3 | 249.4 | 249.2 | 248.0 | 224.2 | 175.2 | 170.1 | 147.0 | 127.7 | 111.4 | 101.9 |
| 55 | 104.8 | 104.8 | 104.6 | 104.1 | 103.6 | 103.0 | 103.2 | 101.8 | 101.1 | 100.5 | 99.8 | 95.6 |
| 70 | 26.6 | 75.7 | 75.6 | 75.0 | 74.5 | 73.8 | 74.0 | 72.4 | 71.7 | 71.0 | 70.3 | 69.9 |
| 85 | | 58.0 | 58.1 | 57.5 | 57.0 | 56.3 | 56.4 | 54.8 | 54.1 | 53.3 | 52.5 | 52.2 |
| 95 | | | 49.7 | 49.2 | 48.7 | 48.0 | 48.2 | 46.5 | 45.8 | 45.0 | 44.2 | 43.8 |
| 105 | | | 43.0 | 42.7 | 42.2 | 41.4 | 41.6 | 40.0 | 39.2 | 38.4 | 37.6 | 37.2 |
| 115 | | | | 37.3 | 36.8 | 36.1 | 36.3 | 34.6 | 33.9 | 33.0 | 32.3 | 31.9 |
| 125 | | | | 32.8 | 32.4 | 31.7 | 31.9 | 30.2 | 29.5 | 28.6 | 27.8 | 27.4 |
| 135 | | | | | 28.7 | 28.0 | 28.2 | 26.6 | 25.9 | 25.1 | 24.3 | 23.9 |
| 145 | | | | | 25.5 | 24.9 | 25.2 | 23.5 | 22.7 | 21.9 | 21.1 | 20.7 |
| 155 | | | | | | 22.2 | 22.5 | 20.8 | 20.0 | 19.2 | 18.3 | 17.9 |
| 165 | | | | | | 19.7 | 20.0 | 18.4 | 17.6 | 16.8 | 16.0 | 15.6 |
| 180 | | | | | | | 16.9 | 15.3 | 14.5 | 13.7 | 12.9 | 12.5 |
| 190 | | | | | | | | 13.5 | 12.8 | 11.9 | 11.1 | 10.7 |
| 200 | | | | | | | | 11.8 | 11.1 | 10.3 | 9.5 | 9.1 |
| 220 | | | | | | | | | 8.3 | 7.6 | 6.8 | 6.4 |
| 240 | | | | | | | | | | 5.2 | 4.5 | 4.1 |
| 260 | | | | | | | | | | | 2.5 | 2.1 |
| 261 | | | | | | | | | | | | 2.0 |



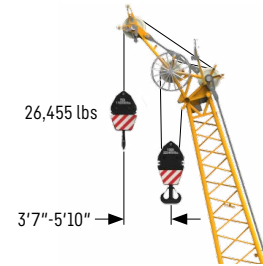
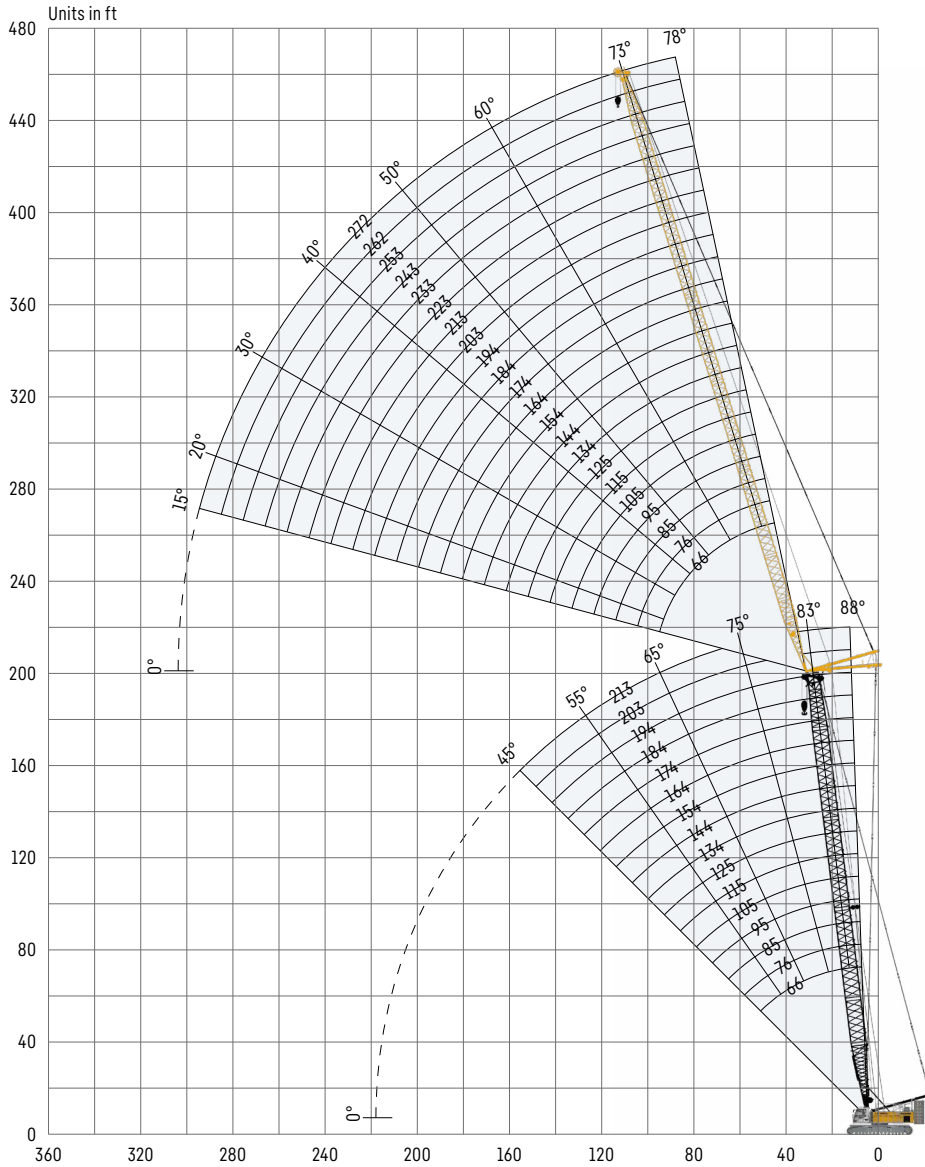
TLT 11962445. Above load charts are for reference only. For actual lift duty please refer to load chart in operator's cabin or manual. Otherwise we recommend you to plan your lifting job using Crane Planner 2.0.

www.liebherr.com/CranePlanner



Luffing jib 1713.xx

Jib lengths 66-272 ft



Auxiliary jib 26,455 lbs (option)
 The maximum capacity of the auxiliary jib is 26,455 lbs.

Jib configuration 1713.xx

| Jib section | Amount of jib sections | | | | | | | | | | | | | | | | | | | | | | |
|------------------------|------------------------|-----------|-----------|-----------|------------|------------|------------|------------|------------|------------|------------|------------|------------|------------|------------|------------|------------|------------|------------|------------|------------|------------|---|
| Jib foot 23 ft | 1 | 1 | 1 | 1 | 1 | 1 | 1 | 1 | 1 | 1 | 1 | 1 | 1 | 1 | 1 | 1 | 1 | 1 | 1 | 1 | | | |
| Jib section 10 ft | | 1 | | 1 | | 1 | | 1 | | 1 | | 1 | | 1 | | 1 | | 1 | | 1 | | | |
| Jib section 20 ft | 1 | 1 | | | 1 | 1 | | | 1 | 1 | | | 1 | 1 | | | 1 | 1 | | 1 | | | |
| Jib section 40 ft | | | | 1 | 1 | 1 | 1 | 2 | 2 | 2 | 2 | 3 | 3 | 3 | 3 | 4 | 4 | 4 | 4 | 5 | 5 | 5 | 5 |
| Jib head 23 ft | 1 | 1 | 1 | 1 | 1 | 1 | 1 | 1 | 1 | 1 | 1 | 1 | 1 | 1 | 1 | 1 | 1 | 1 | 1 | 1 | 1 | 1 | 1 |
| Jib length [ft] | 66 | 76 | 85 | 95 | 105 | 115 | 125 | 134 | 144 | 154 | 164 | 174 | 184 | 194 | 203 | 213 | 223 | 233 | 243 | 253 | 262 | 272 | |
| Auxiliary jib | ✓ | ✓ | ✓ | ✓ | ✓ | ✓ | ✓ | ✓ | ✓ | ✓ | ✓ | ✓ | ✓ | ✓ | ✓ | ✓ | ✓ | ✓ | ✓ | ✓ | ✓ | ✓ | ✓ |

Actual lengths of boom sections are metric (e.g. 3 m, 6 m). The figures shown above are approximate conversions to feet.
 For main boom configuration please refer to the table on page 18.

Load capacities with luffing jib

Load capacities in 1000 lbs with 66 ft main boom 88°

| Radius [ft] | Jib length [ft] | | | | | |
|-------------|-----------------|-------|------|------|------|------|
| | 66 | 105 | 144 | 184 | 223 | 272 |
| 30 | 132.3 | | | | | |
| 40 | 106.5 | 102.0 | | | | |
| 50 | 79.6 | 77.7 | 72.4 | | | |
| 55 | 71.9 | 68.0 | 64.6 | 51.5 | | |
| 60 | 64.2 | 60.8 | 57.5 | 49.7 | 34.4 | |
| 70 | 49.5 | 50.7 | 48.6 | 43.6 | 32.8 | 19.5 |
| 90 | | 36.7 | 34.8 | 32.0 | 29.7 | 17.7 |
| 110 | | 26.7 | 26.7 | 26.5 | 23.6 | 15.9 |
| 150 | | | 16.7 | 16.7 | 15.0 | 12.4 |
| 185 | | | | 11.1 | 10.2 | 8.1 |
| 225 | | | | | 6.1 | 4.5 |
| 260 | | | | | | 2.2 |

181,440 lbs rear counterweight and 79,400 lbs carbody counterweight

Load capacities in 1000 lbs with 95 ft main boom 88°

| Radius [ft] | Jib length [ft] | | | | | |
|-------------|-----------------|-------|------|------|------|------|
| | 66 | 105 | 144 | 184 | 223 | 272 |
| 26.7 | 132.3 | | | | | |
| 40 | 114.5 | 105.9 | | | | |
| 50 | 85.2 | 81.1 | 72.9 | | | |
| 55 | 76.7 | 72.6 | 68.9 | 48.8 | | |
| 60 | 68.5 | 64.5 | 61.0 | 47.5 | 32.8 | |
| 70 | 55.5 | 53.0 | 51.6 | 43.9 | 31.8 | 18.6 |
| 90 | | 39.0 | 36.9 | 34.2 | 28.8 | 17.1 |
| 110 | | 29.8 | 28.3 | 26.4 | 23.8 | 15.5 |
| 150 | | | 19.1 | 17.9 | 15.9 | 12.6 |
| 190 | | | | 11.6 | 10.5 | 8.5 |
| 225 | | | | | 6.8 | 5.2 |
| 270 | | | | | | 2.2 |

181,440 lbs rear counterweight and 79,400 lbs carbody counterweight

Load capacities in 1000 lbs with 134 ft main boom 88°

| Radius [ft] | Jib length [ft] | | | | | |
|-------------|-----------------|------|------|------|------|------|
| | 66 | 105 | 144 | 184 | 223 | 272 |
| 28.1 | 132.3 | | | | | |
| 40 | 121.8 | 99.7 | | | | |
| 50 | 89.5 | 83.3 | 67.5 | | | |
| 55 | 79.1 | 76.0 | 66.0 | 45.3 | | |
| 65 | 63.6 | 60.6 | 56.5 | 43.9 | 30.6 | |
| 75 | 51.6 | 51.0 | 48.5 | 41.6 | 29.5 | 17.2 |
| 95 | | 37.5 | 35.3 | 33.0 | 27.2 | 15.9 |
| 115 | | 26.6 | 27.5 | 25.5 | 22.9 | 14.6 |
| 150 | | | 19.8 | 17.9 | 15.8 | 12.4 |
| 190 | | | | 12.1 | 10.7 | 8.5 |
| 225 | | | | | 7.2 | 5.5 |
| 275 | | | | | | 2.1 |

181,440 lbs rear counterweight and 79,400 lbs carbody counterweight

Load capacities in 1000 lbs with 164 ft main boom 88°

| Radius [ft] | Jib length [ft] | | | | | |
|-------------|-----------------|------|------|------|------|------|
| | 66 | 105 | 144 | 184 | 223 | 272 |
| 29.1 | 128.0 | | | | | |
| 40 | 116.1 | 86.5 | | | | |
| 50 | 92.4 | 80.6 | 58.9 | | | |
| 55 | 80.4 | 77.5 | 57.7 | 40.7 | | |
| 65 | 65.6 | 61.5 | 55.1 | 39.7 | 28.2 | |
| 75 | 53.5 | 52.1 | 48.4 | 38.3 | 27.6 | 15.5 |
| 95 | | 38.2 | 36.0 | 32.5 | 25.8 | 14.7 |
| 115 | | 29.1 | 27.9 | 25.9 | 22.6 | 13.7 |
| 150 | | | 19.2 | 17.8 | 16.0 | 12.0 |
| 190 | | | | 12.1 | 10.6 | 8.6 |
| 230 | | | | | 6.8 | 5.1 |
| 275 | | | | | | 2.3 |

181,440 lbs rear counterweight and 79,400 lbs carbody counterweight

Load capacities in 1000 lbs with 213 ft main boom 88°

| Radius [ft] | Jib length [ft] | | | | | |
|-------------|-----------------|------|------|------|------|------|
| | 66 | 85 | 105 | 125 | 144 | 164 |
| 30.8 | 86.6 | | | | | |
| 40 | 82.5 | 72.4 | 62.6 | | | |
| 50 | 76.9 | 68.0 | 59.8 | 52.1 | 45.4 | |
| 55 | 73.9 | 65.7 | 58.3 | 50.9 | 44.5 | 38.6 |
| 70 | 61.3 | 57.9 | 52.8 | 44.3 | 41.8 | 36.5 |
| 80 | 26.6 | 49.9 | 46.7 | 40.0 | 37.0 | 34.4 |
| 95 | | 40.1 | 38.6 | 37.0 | 32.7 | 28.6 |
| 105 | | | 34.4 | 33.5 | 30.8 | 26.9 |
| 115 | | | 30.0 | 29.7 | 28.5 | 25.7 |
| 135 | | | | 23.7 | 22.9 | 22.0 |
| 155 | | | | | 13.2 | 18.2 |
| 175 | | | | | | 11.3 |

181,440 lbs rear counterweight and 79,400 lbs carbody counterweight

TLT 11962445. Above load charts are for reference only. For actual lift duty please refer to load chart in operator's cabin or manual. Otherwise we recommend you to plan your lifting job using Crane Planner 2.0.



www.liebherr.com/CranePlanner

Crane Planner 2.0

Load capacities with luffing jib

Load capacities in 1000 lbs with 66 ft main boom 83°

| Radius [ft] | Jib length [ft] | | | | | |
|-------------|-----------------|------|------|------|------|------|
| | 66 | 105 | 144 | 184 | 223 | 272 |
| 37 | 132.2 | | | | | |
| 50 | 94.6 | 88.1 | | | | |
| 65 | 65.6 | 61.5 | 57.6 | | | |
| 75 | 52.4 | 51.5 | 47.1 | 44.5 | | |
| 85 | | 43.5 | 39.7 | 37.5 | 30.5 | |
| 100 | | 34.9 | 31.7 | 29.9 | 27.9 | 17.0 |
| 115 | | 28.4 | 26.6 | 26.6 | 23.9 | 15.9 |
| 135 | | | 22.9 | 21.0 | 19.1 | 14.3 |
| 155 | | | 18.1 | 17.0 | 15.1 | 12.6 |
| 195 | | | | 10.9 | 9.8 | 7.7 |
| 230 | | | | | 6.3 | 4.7 |
| 270 | | | | | | 2.0 |

181,440 lbs rear counterweight and 79,400 lbs carbody counterweight

Load capacities in 1000 lbs with 95 ft main boom 83°

| Radius [ft] | Jib length [ft] | | | | | |
|-------------|-----------------|------|------|------|------|------|
| | 66 | 105 | 144 | 184 | 223 | 272 |
| 40.6 | 132.3 | | | | | |
| 55 | 94.1 | 88.6 | | | | |
| 65 | 74.1 | 69.4 | 62.4 | | | |
| 80 | 54.6 | 52.3 | 48.8 | 45.1 | | |
| 90 | | 44.4 | 41.4 | 38.9 | 29.8 | |
| 105 | | 35.9 | 32.9 | 31.0 | 27.7 | 16.3 |
| 120 | | 29.2 | 27.5 | 26.6 | 23.8 | 15.2 |
| 135 | | | 25.1 | 22.4 | 21.0 | 14.2 |
| 160 | | | 18.9 | 17.3 | 15.8 | 12.3 |
| 195 | | | | 12.1 | 10.9 | 8.9 |
| 235 | | | | | 6.8 | 5.2 |
| 280 | | | | | | 2.1 |

181,440 lbs rear counterweight and 79,400 lbs carbody counterweight

Load capacities in 1000 lbs with 134 ft main boom 83°

| Radius [ft] | Jib length [ft] | | | | | |
|-------------|-----------------|------|------|------|------|------|
| | 66 | 105 | 144 | 184 | 223 | 272 |
| 45.4 | 132.2 | | | | | |
| 60 | 94.3 | 88.4 | | | | |
| 70 | 74.4 | 69.6 | 62.0 | | | |
| 80 | 60.6 | 56.7 | 53.2 | 41.5 | | |
| 95 | | 44.7 | 42.2 | 38.3 | 27.6 | |
| 110 | | 36.2 | 33.7 | 31.2 | 26.2 | 15.4 |
| 125 | | 29.6 | 28.1 | 25.9 | 23.1 | 14.6 |
| 140 | | | 25.3 | 21.8 | 20.2 | 13.7 |
| 165 | | | 19.2 | 17.3 | 15.4 | 12.0 |
| 200 | | | | 12.3 | 11.1 | 9.0 |
| 240 | | | | | 7.0 | 5.4 |
| 285 | | | | | | 2.3 |

181,440 lbs rear counterweight and 79,400 lbs carbody counterweight

Load capacities in 1000 lbs with 164 ft main boom 83°

| Radius [ft] | Jib length [ft] | | | | | |
|-------------|-----------------|------|------|------|------|------|
| | 66 | 105 | 144 | 184 | 223 | 272 |
| 49 | 123.4 | | | | | |
| 65 | 90.4 | 83.4 | | | | |
| 75 | 72.3 | 67.1 | 58.7 | | | |
| 85 | 59.3 | 55.2 | 52.8 | 39.5 | | |
| 100 | | 43.3 | 41.4 | 37.5 | 26.7 | |
| 110 | | 37.6 | 35.4 | 32.9 | 25.9 | 14.4 |
| 130 | | 29.0 | 27.7 | 25.6 | 22.6 | 13.7 |
| 150 | | | 22.5 | 20.5 | 18.7 | 12.6 |
| 165 | | | 19.6 | 17.7 | 15.8 | 12.0 |
| 205 | | | | 12.3 | 10.8 | 8.6 |
| 245 | | | | | 6.8 | 5.3 |
| 290 | | | | | | 2.3 |

181,440 lbs rear counterweight and 79,400 lbs carbody counterweight

Load capacities in 1000 lbs with 213 ft main boom 83°

| Radius [ft] | Jib length [ft] | | | | | |
|-------------|-----------------|------|------|------|------|------|
| | 66 | 85 | 105 | 125 | 144 | 164 |
| 55 | 84.7 | | | | | |
| 65 | 80.5 | 71.3 | | | | |
| 70 | 78.1 | 69.5 | 61.2 | | | |
| 75 | 75.5 | 67.5 | 59.8 | 52.0 | | |
| 80 | 71.3 | 64.7 | 58.2 | 51.3 | 44.5 | |
| 85 | 65.3 | 60.7 | 56.8 | 49.9 | 44.1 | 38.0 |
| 95 | 54.8 | 53.2 | 49.9 | 46.7 | 41.8 | 37.2 |
| 115 | | 39.3 | 38.2 | 37.3 | 34.9 | 32.6 |
| 135 | | | 29.6 | 29.3 | 28.1 | 26.5 |
| 155 | | | | 23.4 | 22.8 | 21.8 |
| 175 | | | | | 14.6 | 18.0 |
| 190 | | | | | | 15.3 |

181,440 lbs rear counterweight and 79,400 lbs carbody counterweight

TLT 11962445. Above load charts are for reference only. For actual lift duty please refer to load chart in operator's cabin or manual. Otherwise we recommend you to plan your lifting job using Crane Planner 2.0.

Load capacities with luffing jib

Load capacities in 1000 lbs with 66 ft main boom 75°

| Radius [ft] | Jib length [ft] | | | | | |
|-------------|-----------------|------|------|------|------|------|
| | 66 | 105 | 144 | 184 | 223 | 272 |
| 54.6 | 53.0 | | | | | |
| 75 | 64.5 | 60.1 | | | | |
| 90 | 26.6 | 46.0 | 43.1 | | | |
| 105 | | 36.3 | 34.2 | 30.7 | | |
| 125 | | 28.2 | 26.6 | 26.2 | 23.3 | |
| 135 | | | 24.9 | 22.9 | 21.0 | |
| 145 | | | 22.2 | 20.6 | 18.8 | 14.4 |
| 155 | | | 20.2 | 18.4 | 16.5 | 13.8 |
| 165 | | | 18.1 | 16.4 | 14.8 | 12.3 |
| 200 | | | | 11.5 | 9.8 | 7.9 |
| 240 | | | | | 6.2 | 4.2 |
| 275 | | | | | | 2.1 |

181,440 lbs rear counterweight and 79,400 lbs carbody counterweight

Load capacities in 1000 lbs with 95 ft main boom 75°

| Radius [ft] | Jib length [ft] | | | | | |
|-------------|-----------------|------|------|------|------|------|
| | 66 | 105 | 144 | 184 | 223 | 272 |
| 62.2 | 53.0 | | | | | |
| 80 | 71.0 | 64.7 | | | | |
| 100 | | 46.2 | 42.9 | | | |
| 115 | | 36.8 | 34.2 | 31.7 | | |
| 130 | | 30.6 | 28.3 | 26.6 | 24.2 | |
| 140 | | | 26.3 | 24.2 | 23.0 | |
| 150 | | | 23.4 | 21.7 | 20.3 | 13.7 |
| 160 | | | 21.4 | 19.5 | 18.1 | 13.5 |
| 170 | | | 19.3 | 17.5 | 16.2 | 12.7 |
| 210 | | | | 11.8 | 10.3 | 8.5 |
| 250 | | | | | 6.6 | 4.7 |
| 295 | | | | | | 2.0 |

181,440 lbs rear counterweight and 79,400 lbs carbody counterweight

Load capacities in 1000 lbs with 134 ft main boom 75°

| Radius [ft] | Jib length [ft] | | | | | |
|-------------|-----------------|------|------|------|------|------|
| | 66 | 105 | 144 | 184 | 223 | 272 |
| 72.4 | 53.0 | | | | | |
| 90 | 60.3 | 59.2 | | | | |
| 110 | | 46.5 | 44.2 | | | |
| 125 | | 37.3 | 35.2 | 31.7 | | |
| 140 | | 31.1 | 29.1 | 26.8 | 23.1 | |
| 150 | | | 26.6 | 24.7 | 22.9 | |
| 160 | | | 24.5 | 22.3 | 20.3 | 13.0 |
| 170 | | | 22.3 | 20.3 | 18.2 | 12.9 |
| 180 | | | 20.1 | 18.2 | 16.3 | 12.4 |
| 220 | | | | 12.3 | 10.6 | 8.6 |
| 260 | | | | | 6.9 | 4.9 |
| 305 | | | | | | 2.1 |

181,440 lbs rear counterweight and 79,400 lbs carbody counterweight

Load capacities in 1000 lbs with 164 ft main boom 75°

| Radius [ft] | Jib length [ft] | | | | | |
|-------------|-----------------|------|------|------|------|------|
| | 66 | 105 | 144 | 184 | 223 | 272 |
| 80.1 | 53.0 | | | | | |
| 100 | 51.0 | 49.9 | | | | |
| 115 | 26.6 | 42.1 | 41.0 | | | |
| 130 | | 36.3 | 35.2 | 31.3 | | |
| 150 | | 30.2 | 28.3 | 26.2 | 22.7 | |
| 160 | | | 26.6 | 23.1 | 21.5 | |
| 170 | | | 23.9 | 21.5 | 18.9 | 12.2 |
| 180 | | | 21.8 | 19.7 | 16.9 | 12.1 |
| 190 | | | 19.7 | 17.8 | 15.2 | 11.6 |
| 225 | | | | 12.8 | 11.0 | 8.8 |
| 265 | | | | | 7.2 | 5.2 |
| 315 | | | | | | 2.1 |

181,440 lbs rear counterweight and 79,400 lbs carbody counterweight

Load capacities in 1000 lbs with 213 ft main boom 75°

| Radius [ft] | Jib length [ft] | | | | | |
|-------------|-----------------|------|------|------|------|------|
| | 66 | 85 | 105 | 125 | 144 | 164 |
| 92.8 | 51.3 | | | | | |
| 105 | 44.3 | 43.7 | | | | |
| 120 | 37.6 | 37.2 | 36.5 | 36.0 | | |
| 130 | | 33.7 | 33.1 | 32.6 | 31.9 | |
| 135 | | 32.2 | 31.6 | 31.1 | 30.4 | 29.8 |
| 145 | | 29.4 | 28.9 | 28.4 | 27.7 | 27.2 |
| 155 | | | 26.6 | 26.1 | 25.5 | 24.9 |
| 165 | | | 24.5 | 24.1 | 23.5 | 22.9 |
| 175 | | | | 22.3 | 21.8 | 21.3 |
| 185 | | | | 18.5 | 20.2 | 19.7 |
| 200 | | | | | 18.1 | 17.7 |
| 220 | | | | | | 15.4 |

181,440 lbs rear counterweight and 79,400 lbs carbody counterweight

TLT 11962445. Above load charts are for reference only. For actual lift duty please refer to load chart in operator's cabin or manual. Otherwise we recommend you to plan your lifting job using Crane Planner 2.0.

Load capacities with luffing jib

Load capacities in 1000 lbs with 66 ft main boom 65°

| Radius [ft] | Jib length [ft] | | | | | |
|-------------|-----------------|------|------|------|------|-----|
| | 66 | 105 | 144 | 184 | 223 | 272 |
| 75.1 | 53.0 | | | | | |
| 100 | 49.0 | 46.2 | | | | |
| 125 | | 32.2 | 29.8 | | | |
| 135 | | 28.7 | 26.6 | | | |
| 145 | | | 25.0 | 22.1 | | |
| 170 | | | 19.4 | 17.3 | 15.3 | |
| 175 | | | 18.4 | 16.3 | 14.7 | |
| 195 | | | | 13.5 | 11.7 | 8.7 |
| 205 | | | | 12.3 | 10.3 | 8.3 |
| 215 | | | | 11.1 | 9.2 | 7.1 |
| 250 | | | | | 6.4 | 4.2 |
| 285 | | | | | | 2.2 |

181,440 lbs rear counterweight and 79,400 lbs carbody counterweight

Load capacities in 1000 lbs with 105 ft main boom 65°

| Radius [ft] | Jib length [ft] | | | | | |
|-------------|-----------------|------|------|------|------|-----|
| | 66 | 105 | 144 | 184 | 223 | 272 |
| 91.7 | 53.0 | | | | | |
| 115 | 43.4 | 42.4 | | | | |
| 140 | | 33.4 | 32.0 | | | |
| 160 | | | 26.6 | 22.3 | | |
| 175 | | | 23.0 | 20.7 | | |
| 185 | | | 20.9 | 18.8 | 16.2 | |
| 200 | | | | 16.0 | 14.2 | |
| 215 | | | | 14.1 | 12.1 | 9.5 |
| 230 | | | | 12.2 | 10.2 | 8.2 |
| 250 | | | | | 8.5 | 6.3 |
| 265 | | | | | 7.2 | 5.0 |
| 315 | | | | | | 2.1 |

181,440 lbs rear counterweight and 79,400 lbs carbody counterweight

Load capacities in 1000 lbs with 144 ft main boom 65°

| Radius [ft] | Jib length [ft] | | | | | |
|-------------|-----------------|------|------|------|------|-----|
| | 66 | 105 | 144 | 184 | 223 | 272 |
| 108.3 | 42.7 | | | | | |
| 135 | | 31.6 | | | | |
| 155 | | 26.6 | 25.5 | | | |
| 180 | | | 21.0 | 19.8 | | |
| 200 | | | 18.2 | 17.1 | 15.5 | |
| 210 | | | 16.9 | 15.9 | 14.7 | |
| 220 | | | | 14.8 | 13.7 | |
| 230 | | | | 13.9 | 12.7 | 9.5 |
| 245 | | | | 12.5 | 10.6 | 8.6 |
| 260 | | | | | 9.2 | 7.1 |
| 285 | | | | | 7.1 | 4.9 |
| 330 | | | | | | 2.3 |

181,440 lbs rear counterweight and 79,400 lbs carbody counterweight

Load capacities in 1000 lbs with 184 ft main boom 65°

| Radius [ft] | Jib length [ft] | | | | | |
|-------------|-----------------|------|------|------|------|-----|
| | 66 | 105 | 144 | 184 | 223 | 272 |
| 125 | 32.0 | | | | | |
| 150 | 25.5 | 24.4 | | | | |
| 175 | | 19.9 | 18.7 | | | |
| 195 | | | 16.1 | 14.9 | | |
| 210 | | | 14.5 | 13.3 | | |
| 220 | | | 13.5 | 12.4 | 11.1 | |
| 235 | | | | 11.1 | 9.9 | |
| 245 | | | | 10.4 | 9.2 | 6.8 |
| 255 | | | | 9.7 | 8.5 | 6.2 |
| 265 | | | | 9.0 | 7.9 | 5.7 |
| 300 | | | | | 6.0 | 4.1 |
| 350 | | | | | | 2.2 |

181,440 lbs rear counterweight and 79,400 lbs carbody counterweight

Load capacities in 1000 lbs with 213 ft main boom 65°

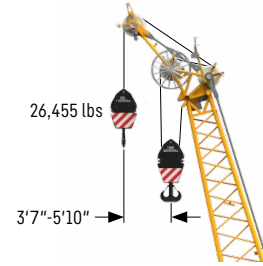
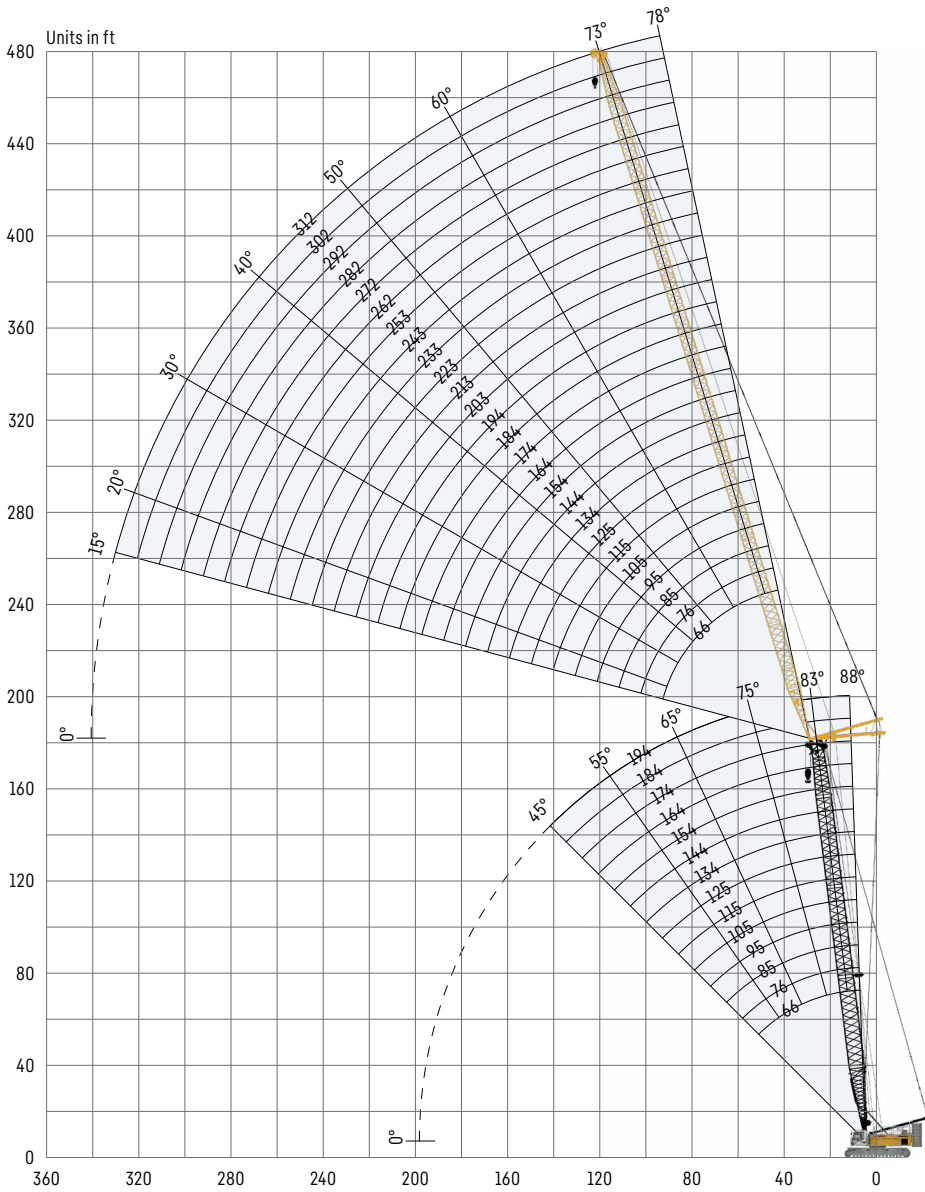
| Radius [ft] | Jib length [ft] | | | | | |
|-------------|-----------------|------|------|------|------|------|
| | 66 | 85 | 105 | 125 | 144 | 164 |
| 137.5 | 25.4 | | | | | |
| 150 | 22.8 | 22.2 | | | | |
| 160 | 20.9 | 20.5 | 19.7 | | | |
| 175 | | 18.2 | 17.5 | 16.9 | | |
| 185 | | | 16.2 | 15.7 | 15.0 | |
| 195 | | | 15.1 | 14.6 | 13.9 | 13.2 |
| 200 | | | 14.5 | 14.0 | 13.3 | 12.8 |
| 210 | | | | 13.1 | 12.4 | 11.8 |
| 220 | | | | 12.1 | 11.5 | 11.0 |
| 235 | | | | | 10.4 | 9.9 |
| 245 | | | | | | 9.2 |
| 255 | | | | | | 8.5 |

181,440 lbs rear counterweight and 79,400 lbs carbody counterweight

TLT 11962445. Above load charts are for reference only. For actual lift duty please refer to load chart in operator's cabin or manual. Otherwise we recommend you to plan your lifting job using Crane Planner 2.0.

Luffing jib 1916.xx

Jib lengths 66-312 ft



Auxiliary jib 26,455 lbs (option)
 The maximum capacity of the auxiliary jib is 26,455 lbs.

Jib configuration 1916.xx

| Jib section | Amount of jib sections | | | | | | | | | | | | | | | | | | | | | | | | | |
|------------------------|------------------------|-----------|-----------|-----------|------------|------------|------------|------------|------------|------------|------------|------------|------------|------------|------------|------------|------------|------------|------------|------------|------------|------------|------------|------------|------------|------------|
| Jib foot 23 ft | 1 | 1 | 1 | 1 | 1 | 1 | 1 | 1 | 1 | 1 | 1 | 1 | 1 | 1 | 1 | 1 | 1 | 1 | 1 | 1 | 1 | 1 | | | | |
| Jib section 10 ft | | 1 | | 1 | | 1 | | 1 | | 1 | | 1 | | 1 | | 1 | | 1 | | 1 | | 1 | | | | |
| Jib section 20 ft | 1 | 1 | | | 1 | 1 | | | 1 | 1 | | | 1 | 1 | | | 1 | 1 | | | 1 | 1 | | | | |
| Jib section 40 ft | | | 1 | 1 | 1 | 1 | 2 | 2 | 2 | 2 | 3 | 3 | 3 | 3 | 4 | 4 | 4 | 4 | 5 | 5 | 5 | 5 | | | | |
| Jib head 23 ft | 1 | 1 | 1 | 1 | 1 | 1 | 1 | 1 | 1 | 1 | 1 | 1 | 1 | 1 | 1 | 1 | 1 | 1 | 1 | 1 | 1 | 1 | | | | |
| Jib length [ft] | 66 | 76 | 85 | 95 | 105 | 115 | 125 | 134 | 144 | 154 | 164 | 174 | 184 | 194 | 203 | 213 | 223 | 233 | 243 | 253 | 262 | 272 | 282 | 292 | 302 | 312 |
| Auxiliary jib | ✓ | ✓ | ✓ | ✓ | ✓ | ✓ | ✓ | ✓ | ✓ | ✓ | ✓ | ✓ | ✓ | ✓ | ✓ | ✓ | ✓ | ✓ | ✓ | ✓ | ✓ | ✓ | ✓ | ✓ | ✓ | ✓ |

Actual lengths of boom sections are metric (e.g. 3 m, 6 m). The figures shown above are approximate conversions to feet.
 For main boom configuration please refer to the table on page 18.

Load capacities with luffing jib

Load capacities in 1000 lbs with 66 ft main boom 88°

| Radius [ft] | Jib length [ft] | | | | | |
|-------------|-----------------|-------|------|------|------|------|
| | 66 | 115 | 164 | 213 | 262 | 312 |
| 30 | 155.8 | | | | | |
| 40 | 155.8 | 123.4 | | | | |
| 50 | 128.4 | 110.5 | 79.1 | | | |
| 60 | 104.4 | 94.8 | 75.0 | 49.4 | | |
| 70 | 78.2 | 81.6 | 71.6 | 47.3 | 30.9 | |
| 80 | | 69.4 | 63.6 | 45.2 | 29.4 | 18.0 |
| 100 | | 53.7 | 51.2 | 41.8 | 26.9 | 16.5 |
| 120 | | 37.1 | 40.6 | 37.5 | 24.8 | 15.1 |
| 170 | | | 22.5 | 25.9 | 21.0 | 12.1 |
| 215 | | | | 15.1 | 16.5 | 10.1 |
| 265 | | | | | 8.4 | 8.0 |
| 310 | | | | | | 3.6 |

181,440 lbs rear counterweight and 79,400 lbs carbody counterweight

Load capacities in 1000 lbs with 95 ft main boom 88°

| Radius [ft] | Jib length [ft] | | | | | |
|-------------|-----------------|-------|------|------|------|------|
| | 66 | 115 | 164 | 213 | 262 | 312 |
| 26.7 | 155.8 | | | | | |
| 40 | 155.8 | 114.7 | | | | |
| 60 | 111.2 | 97.8 | 70.2 | 44.5 | | |
| 70 | 91.8 | 90.0 | 67.2 | 43.5 | 28.2 | |
| 80 | | 77.5 | 64.4 | 42.2 | 27.5 | 17.4 |
| 100 | | 59.1 | 58.1 | 39.6 | 25.5 | 15.9 |
| 120 | | 46.7 | 46.4 | 37.2 | 23.6 | 14.5 |
| 145 | | | 36.6 | 34.5 | 21.7 | 12.9 |
| 170 | | | 28.2 | 28.7 | 20.1 | 11.7 |
| 215 | | | | 19.9 | 18.2 | 9.9 |
| 265 | | | | | 11.8 | 7.9 |
| 310 | | | | | | 5.8 |

181,440 lbs rear counterweight and 79,400 lbs carbody counterweight

Load capacities in 1000 lbs with 134 ft main boom 88°

| Radius [ft] | Jib length [ft] | | | | | |
|-------------|-----------------|------|------|------|------|------|
| | 66 | 115 | 164 | 213 | 262 | 312 |
| 28.1 | 152.4 | | | | | |
| 40 | 147.0 | 98.9 | | | | |
| 50 | 132.8 | 94.6 | 61.8 | | | |
| 60 | 111.3 | 89.3 | 60.3 | 39.2 | | |
| 70 | 91.9 | 84.6 | 58.1 | 38.4 | 25.7 | |
| 80 | | 77.5 | 55.8 | 37.4 | 25.3 | 15.9 |
| 100 | | 59.1 | 51.4 | 35.3 | 23.8 | 14.9 |
| 125 | | 26.6 | 44.2 | 32.7 | 21.9 | 13.4 |
| 170 | | | 29.8 | 28.3 | 19.2 | 11.2 |
| 220 | | | | 19.3 | 17.3 | 9.2 |
| 265 | | | | | 12.5 | 7.7 |
| 315 | | | | | | 5.6 |

181,440 lbs rear counterweight and 79,400 lbs carbody counterweight

Load capacities in 1000 lbs with 164 ft main boom 88°

| Radius [ft] | Jib length [ft] | | | | | |
|-------------|-----------------|------|------|------|------|------|
| | 66 | 115 | 164 | 213 | 262 | 312 |
| 29.1 | 126.0 | | | | | |
| 40 | 119.6 | 81.9 | | | | |
| 60 | 100.3 | 74.0 | 51.7 | 35.1 | | |
| 75 | 82.2 | 67.4 | 49.0 | 34.1 | 23.3 | |
| 85 | | 63.1 | 46.6 | 33.0 | 22.8 | 14.5 |
| 100 | | 57.1 | 43.6 | 31.5 | 22.0 | 13.8 |
| 125 | | 44.9 | 38.7 | 29.0 | 20.5 | 12.5 |
| 150 | | | 34.2 | 26.6 | 19.1 | 11.3 |
| 170 | | | 29.7 | 24.6 | 18.0 | 10.5 |
| 220 | | | | 19.3 | 15.8 | 8.8 |
| 265 | | | | | 12.6 | 7.2 |
| 315 | | | | | | 5.4 |

181,440 lbs rear counterweight and 79,400 lbs carbody counterweight

Load capacities in 1000 lbs with 194 ft main boom 88°

| Radius [ft] | Jib length [ft] | | | | | |
|-------------|-----------------|------|------|------|------|------|
| | 66 | 95 | 115 | 134 | 154 | 174 |
| 30.1 | 101.2 | | | | | |
| 40 | 95.8 | 77.6 | | | | |
| 50 | 88.4 | 73.4 | 64.2 | 56.2 | 48.6 | |
| 55 | 84.8 | 70.7 | 62.5 | 55.1 | 47.9 | 41.7 |
| 65 | 78.7 | 66.2 | 58.8 | 52.6 | 46.0 | 40.7 |
| 75 | 74.3 | 61.8 | 55.5 | 49.5 | 44.0 | 38.9 |
| 90 | | 55.7 | 50.7 | 45.5 | 41.2 | 36.5 |
| 105 | | 51.7 | 45.8 | 42.0 | 37.7 | 34.3 |
| 125 | | | 41.7 | 37.3 | 34.1 | 31.2 |
| 145 | | | | 34.3 | 30.9 | 28.3 |
| 165 | | | | | 26.6 | 26.0 |
| 180 | | | | | | 24.7 |

181,440 lbs rear counterweight and 79,400 lbs carbody counterweight

TLT 11962445. Above load charts are for reference only. For actual lift duty please refer to load chart in operator's cabin or manual. Otherwise we recommend you to plan your lifting job using Crane Planner 2.0.



www.liebherr.com/CranePlanner

Crane Planner 2.0

Load capacities with luffing jib

Load capacities in 1000 lbs with 66 ft main boom 83°

| Radius [ft] | Jib length [ft] | | | | | |
|-------------|-----------------|-------|------|------|------|------|
| | 66 | 115 | 164 | 213 | 262 | 312 |
| 37 | 155.8 | | | | | |
| 55 | 121.5 | 113.1 | | | | |
| 70 | 90.0 | 89.1 | 73.7 | | | |
| 85 | | 70.3 | 66.0 | 45.5 | | |
| 95 | | 61.4 | 60.4 | 43.7 | 27.8 | |
| 110 | | 51.4 | 50.4 | 41.3 | 26.4 | 15.9 |
| 125 | | 40.2 | 42.8 | 38.2 | 24.8 | 15.0 |
| 150 | | | 33.9 | 31.3 | 22.8 | 13.5 |
| 175 | | | 24.7 | 26.6 | 21.0 | 12.2 |
| 220 | | | | 16.6 | 17.1 | 10.2 |
| 270 | | | | | 9.6 | 8.1 |
| 315 | | | | | | 4.6 |

181,440 lbs rear counterweight and 79,400 lbs carbody counterweight

Load capacities in 1000 lbs with 95 ft main boom 83°

| Radius [ft] | Jib length [ft] | | | | | |
|-------------|-----------------|-------|------|------|------|------|
| | 66 | 115 | 164 | 213 | 262 | 312 |
| 40.6 | 155.8 | | | | | |
| 55 | 120.4 | 108.8 | | | | |
| 70 | 89.2 | 88.2 | 69.3 | | | |
| 85 | | 69.5 | 65.8 | 42.7 | | |
| 100 | | 57.1 | 56.0 | 40.9 | 26.2 | |
| 115 | | 48.1 | 47.1 | 38.9 | 24.9 | 15.3 |
| 130 | | 41.3 | 40.5 | 37.2 | 23.5 | 14.3 |
| 150 | | | 33.8 | 32.5 | 22.0 | 13.1 |
| 175 | | | 27.6 | 26.5 | 20.4 | 11.9 |
| 225 | | | | 18.4 | 17.3 | 9.8 |
| 270 | | | | | 12.7 | 8.2 |
| 320 | | | | | | 6.3 |

181,440 lbs rear counterweight and 79,400 lbs carbody counterweight

Load capacities in 1000 lbs with 134 ft main boom 83°

| Radius [ft] | Jib length [ft] | | | | | |
|-------------|-----------------|------|------|------|------|------|
| | 66 | 115 | 164 | 213 | 262 | 312 |
| 45.4 | 151.5 | | | | | |
| 60 | 106.2 | 96.8 | | | | |
| 75 | 80.7 | 79.5 | 61.9 | | | |
| 90 | | 63.7 | 59.7 | 38.8 | | |
| 105 | | 52.8 | 51.7 | 37.6 | 24.4 | |
| 120 | | 44.8 | 43.8 | 36.0 | 23.3 | 14.1 |
| 135 | | 38.7 | 37.8 | 34.5 | 22.1 | 13.4 |
| 150 | | | 33.0 | 31.7 | 21.2 | 12.6 |
| 180 | | | 26.0 | 24.8 | 19.4 | 11.3 |
| 230 | | | | 17.3 | 16.2 | 9.4 |
| 275 | | | | | 11.8 | 7.9 |
| 325 | | | | | | 6.4 |

181,440 lbs rear counterweight and 79,400 lbs carbody counterweight

Load capacities in 1000 lbs with 164 ft main boom 83°

| Radius [ft] | Jib length [ft] | | | | | |
|-------------|-----------------|------|------|------|------|------|
| | 66 | 115 | 164 | 213 | 262 | 312 |
| 49 | 123.1 | | | | | |
| 65 | 94.7 | 81.2 | | | | |
| 80 | 73.5 | 72.3 | 52.8 | | | |
| 95 | | 58.6 | 50.7 | 34.7 | | |
| 110 | | 49.0 | 47.9 | 33.7 | 22.4 | |
| 125 | | 41.9 | 40.8 | 32.4 | 21.6 | 13.1 |
| 140 | | 26.6 | 35.4 | 31.0 | 20.6 | 12.4 |
| 160 | | | 29.8 | 28.4 | 19.6 | 11.5 |
| 185 | | | 24.6 | 23.3 | 18.3 | 10.5 |
| 235 | | | | 16.3 | 15.2 | 8.8 |
| 280 | | | | | 11.1 | 7.4 |
| 330 | | | | | | 5.7 |

181,440 lbs rear counterweight and 79,400 lbs carbody counterweight

Load capacities in 1000 lbs with 194 ft main boom 83°

| Radius [ft] | Jib length [ft] | | | | | |
|-------------|-----------------|------|------|------|------|------|
| | 66 | 95 | 115 | 134 | 154 | 174 |
| 52.6 | 99.1 | | | | | |
| 65 | 92.7 | 76.7 | | | | |
| 70 | 84.9 | 74.5 | 65.4 | | | |
| 75 | 78.1 | 72.3 | 64.0 | 56.1 | | |
| 80 | 72.2 | 70.5 | 62.4 | 55.2 | 47.9 | |
| 85 | 67.0 | 66.4 | 60.8 | 54.2 | 47.5 | 41.3 |
| 95 | 58.5 | 58.0 | 57.4 | 51.7 | 45.8 | 40.4 |
| 125 | | 26.6 | 41.1 | 40.6 | 40.1 | 36.1 |
| 140 | | | 35.6 | 35.3 | 34.7 | 34.0 |
| 160 | | | | 29.7 | 29.2 | 28.8 |
| 180 | | | | | 25.0 | 24.6 |
| 200 | | | | | | 21.3 |

181,440 lbs rear counterweight and 79,400 lbs carbody counterweight

TLT 11962445. Above load charts are for reference only. For actual lift duty please refer to load chart in operator's cabin or manual. Otherwise we recommend you to plan your lifting job using Crane Planner 2.0.

Load capacities with luffing jib

Load capacities in 1000 lbs with 66 ft main boom 75°

| Radius [ft] | Jib length [ft] | | | | | |
|-------------|-----------------|------|------|------|------|------|
| | 66 | 115 | 164 | 213 | 262 | 312 |
| 54.6 | 53.0 | | | | | |
| 80 | 74.1 | 73.0 | | | | |
| 100 | | 55.6 | 54.5 | | | |
| 120 | | 44.5 | 43.5 | 40.8 | | |
| 140 | | | 35.8 | 34.4 | 23.9 | |
| 160 | | | 30.2 | 28.8 | 22.5 | 13.1 |
| 185 | | | 24.9 | 23.7 | 20.8 | 12.0 |
| 205 | | | | 20.4 | 19.1 | 11.1 |
| 230 | | | | 17.2 | 16.0 | 10.1 |
| 255 | | | | | 13.4 | 9.0 |
| 280 | | | | | 11.3 | 8.2 |
| 325 | | | | | | 5.9 |

181,440 lbs rear counterweight and 79,400 lbs carbody counterweight

Load capacities in 1000 lbs with 95 ft main boom 75°

| Radius [ft] | Jib length [ft] | | | | | |
|-------------|-----------------|------|------|------|------|------|
| | 66 | 115 | 164 | 213 | 262 | 312 |
| 62.2 | 53.0 | | | | | |
| 85 | 67.1 | 65.7 | | | | |
| 105 | | 50.8 | 49.6 | | | |
| 125 | | 41.0 | 39.9 | 38.4 | | |
| 150 | | | 31.6 | 30.2 | 22.6 | |
| 160 | | | 29.1 | 27.7 | 22.0 | |
| 170 | | | 26.8 | 25.5 | 21.3 | 12.4 |
| 180 | | | 24.9 | 23.6 | 20.7 | 11.9 |
| 190 | | | 23.1 | 21.8 | 20.1 | 11.4 |
| 240 | | | | 15.3 | 14.1 | 9.6 |
| 285 | | | | | 10.3 | 8.2 |
| 335 | | | | | | 5.9 |

181,440 lbs rear counterweight and 79,400 lbs carbody counterweight

Load capacities in 1000 lbs with 134 ft main boom 75°

| Radius [ft] | Jib length [ft] | | | | | |
|-------------|-----------------|------|------|------|------|------|
| | 66 | 115 | 164 | 213 | 262 | 312 |
| 72.4 | 53.0 | | | | | |
| 95 | 55.9 | 54.5 | | | | |
| 115 | | 43.1 | 41.8 | | | |
| 135 | | 35.3 | 34.1 | 32.5 | | |
| 160 | | | 27.3 | 25.9 | 21.2 | |
| 170 | | | 25.3 | 23.8 | 20.7 | |
| 180 | | | 23.4 | 21.9 | 20.1 | 11.7 |
| 190 | | | 21.7 | 20.3 | 18.9 | 11.4 |
| 200 | | | 20.2 | 18.8 | 17.4 | 10.9 |
| 250 | | | | 13.2 | 11.9 | 9.3 |
| 295 | | | | | 8.6 | 7.2 |
| 345 | | | | | | 4.5 |

181,440 lbs rear counterweight and 79,400 lbs carbody counterweight

Load capacities in 1000 lbs with 164 ft main boom 75°

| Radius [ft] | Jib length [ft] | | | | | |
|-------------|-----------------|------|------|------|------|------|
| | 66 | 115 | 164 | 213 | 262 | 312 |
| 80 | 53.0 | | | | | |
| 105 | 47.4 | 45.9 | | | | |
| 125 | | 37.0 | 35.6 | | | |
| 145 | | 30.7 | 29.4 | 27.7 | | |
| 165 | | | 24.8 | 23.2 | 19.7 | |
| 175 | | | 22.9 | 21.4 | 19.5 | |
| 185 | | | 21.2 | 19.7 | 18.2 | 10.8 |
| 200 | | | 19.0 | 17.5 | 16.1 | 10.5 |
| 210 | | | 17.7 | 16.3 | 14.9 | 10.1 |
| 255 | | | | 11.8 | 10.5 | 8.4 |
| 305 | | | | | 7.1 | 5.4 |
| 350 | | | | | | 3.5 |

181,440 lbs rear counterweight and 79,400 lbs carbody counterweight

Load capacities in 1000 lbs with 194 ft main boom 75°

| Radius [ft] | Jib length [ft] | | | | | |
|-------------|-----------------|------|------|------|------|------|
| | 66 | 95 | 115 | 134 | 154 | 174 |
| 87.7 | 53.0 | | | | | |
| 105 | 45.1 | 44.1 | | | | |
| 110 | 42.6 | 41.6 | 40.9 | | | |
| 120 | 38.2 | 37.4 | 36.7 | 36.1 | | |
| 130 | | 33.9 | 33.2 | 32.6 | 31.9 | |
| 135 | | 32.3 | 31.7 | 31.1 | 30.4 | 29.8 |
| 150 | | 28.2 | 27.7 | 27.2 | 26.5 | 25.9 |
| 160 | | | 25.5 | 25.0 | 24.3 | 23.8 |
| 170 | | | 23.5 | 23.0 | 22.4 | 21.9 |
| 185 | | | | 20.5 | 19.9 | 19.4 |
| 205 | | | | | 17.2 | 16.7 |
| 225 | | | | | | 14.5 |

181,440 lbs rear counterweight and 79,400 lbs carbody counterweight

TLT 11962445. Above load charts are for reference only. For actual lift duty please refer to load chart in operator's cabin or manual. Otherwise we recommend you to plan your lifting job using Crane Planner 2.0.

Load capacities with luffing jib

Load capacities in 1000 lbs with 66 ft main boom 65°

| Radius [ft] | Jib length [ft] | | | | | |
|-------------|-----------------|------|------|------|------|------|
| | 66 | 115 | 164 | 213 | 262 | 312 |
| 75 | 53.0 | | | | | |
| 105 | | 50.1 | | | | |
| 135 | | 36.7 | 35.6 | | | |
| 160 | | | 28.6 | 27.1 | | |
| 175 | | | 25.4 | 24.0 | | |
| 190 | | | 22.7 | 21.4 | 20.0 | |
| 205 | | | | 19.1 | 17.8 | |
| 220 | | | | 17.2 | 15.9 | 10.7 |
| 230 | | | | 16.0 | 14.8 | 10.3 |
| 240 | | | | 15.0 | 13.7 | 9.9 |
| 290 | | | | | 9.6 | 8.2 |
| 335 | | | | | | 5.6 |

181,440 lbs rear counterweight and 79,400 lbs carbody counterweight

Load capacities in 1000 lbs with 95 ft main boom 65°

| Radius [ft] | Jib length [ft] | | | | | |
|-------------|-----------------|------|------|------|------|------|
| | 66 | 115 | 164 | 213 | 262 | 312 |
| 87.5 | 53.0 | | | | | |
| 120 | | 40.1 | | | | |
| 145 | | 31.6 | 30.4 | | | |
| 175 | | | 23.7 | 22.2 | | |
| 190 | | | 21.2 | 19.7 | | |
| 205 | | | 19.0 | 17.6 | 16.2 | |
| 220 | | | | 15.8 | 14.4 | |
| 230 | | | | 14.7 | 13.3 | 10.2 |
| 245 | | | | 13.2 | 11.9 | 9.8 |
| 255 | | | | 12.3 | 11.0 | 9.4 |
| 300 | | | | | 7.9 | 6.5 |
| 350 | | | | | | 3.9 |

181,440 lbs rear counterweight and 79,400 lbs carbody counterweight

Load capacities in 1000 lbs with 134 ft main boom 65°

| Radius [ft] | Jib length [ft] | | | | | |
|-------------|-----------------|------|------|------|------|-----|
| | 66 | 115 | 164 | 213 | 262 | 312 |
| 104.1 | 45.0 | | | | | |
| 135 | | 31.2 | | | | |
| 165 | | 24.1 | 22.7 | | | |
| 190 | | | 18.7 | 17.0 | | |
| 205 | | | 16.7 | 15.1 | | |
| 220 | | | 15.0 | 13.5 | 12.0 | |
| 235 | | | | 12.1 | 10.6 | |
| 250 | | | | 10.8 | 9.4 | 7.2 |
| 265 | | | | 9.7 | 8.3 | 6.2 |
| 290 | | | | | 6.7 | 4.8 |
| 320 | | | | | 5.1 | 3.4 |
| 355 | | | | | | 2.0 |

181,440 lbs rear counterweight and 79,400 lbs carbody counterweight

Load capacities in 1000 lbs with 164 ft main boom 65°

| Radius [ft] | Jib length [ft] | | | | | |
|-------------|-----------------|------|------|------|-----|-----|
| | 66 | 115 | 164 | 213 | 262 | 312 |
| 116.6 | 35.9 | | | | | |
| 145 | | 25.6 | | | | |
| 175 | | 20.0 | 18.6 | | | |
| 205 | | | 14.7 | 13.0 | | |
| 220 | | | 13.2 | 11.5 | | |
| 230 | | | 12.2 | 10.6 | 8.6 | |
| 250 | | | | 9.1 | 7.2 | |
| 260 | | | | 8.4 | 6.6 | 4.0 |
| 275 | | | | 7.5 | 5.7 | 3.2 |
| 285 | | | | 6.9 | 5.2 | 2.7 |
| 300 | | | | | 4.5 | 2.0 |
| 330 | | | | | 3.3 | |

181,440 lbs rear counterweight and 79,400 lbs carbody counterweight

Load capacities in 1000 lbs with 194 ft main boom 65°

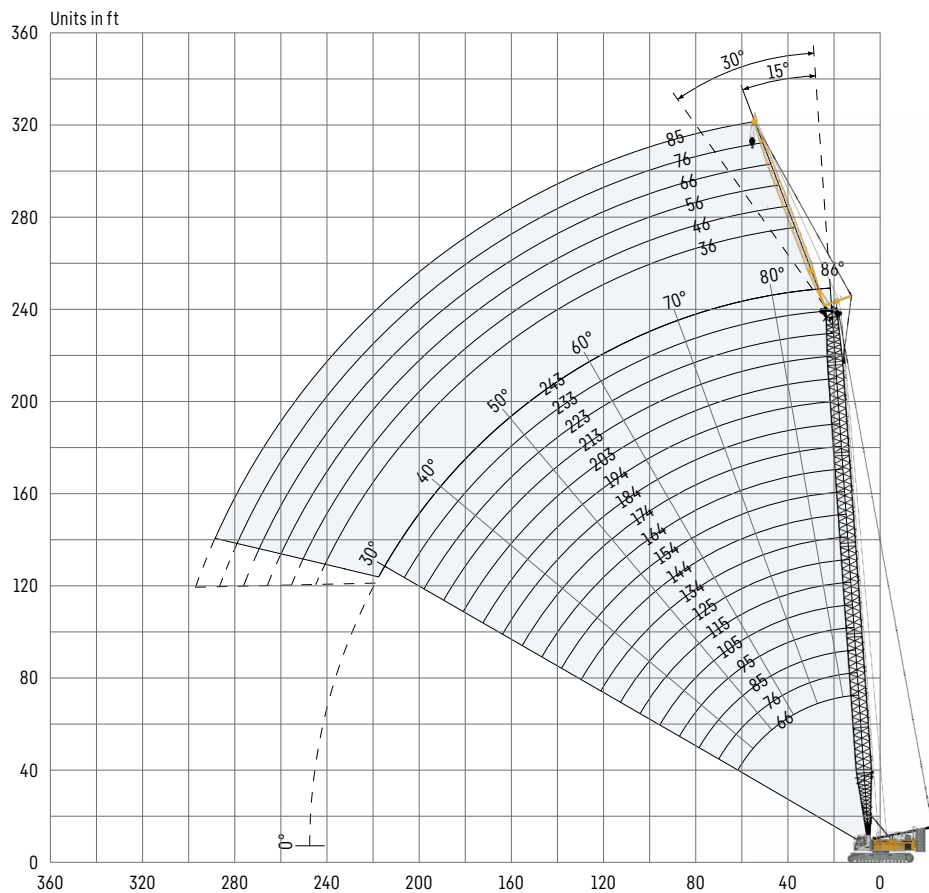
| Radius [ft] | Jib length [ft] | | | | | |
|-------------|-----------------|------|------|------|------|------|
| | 66 | 95 | 115 | 134 | 154 | 174 |
| 129.1 | 28.4 | | | | | |
| 150 | 23.4 | 22.4 | | | | |
| 160 | | 20.6 | 19.8 | | | |
| 170 | | 19.0 | 18.3 | 17.6 | | |
| 180 | | 17.5 | 16.8 | 16.2 | 15.4 | |
| 195 | | | 15.0 | 14.4 | 13.7 | 13.1 |
| 200 | | | 14.4 | 13.9 | 13.2 | 12.6 |
| 210 | | | | 12.9 | 12.2 | 11.6 |
| 220 | | | | 11.9 | 11.3 | 10.7 |
| 230 | | | | | 10.5 | 9.9 |
| 240 | | | | | 9.7 | 9.2 |
| 255 | | | | | | 8.1 |

181,440 lbs rear counterweight and 79,400 lbs carbody counterweight

TLT 11962445. Above load charts are for reference only. For actual lift duty please refer to load chart in operator's cabin or manual. Otherwise we recommend you to plan your lifting job using Crane Planner 2.0.

Fixed jib 1008.xx

Jib lengths 36-85 ft



Jib configuration 1008.xx

| Jib section | Amount of jib sections | | | | | |
|------------------------|------------------------|-----------|-----------|-----------|-----------|-----------|
| Boom foot 18 ft | 1 | 1 | 1 | 1 | 1 | 1 |
| Jib section 10 ft | | 1 | | 1 | | 1 |
| Jib section 20 ft | | | 1 | 1 | 2 | 2 |
| Jib head 18 ft | 1 | 1 | 1 | 1 | 1 | 1 |
| Jib length [ft] | 36 | 46 | 56 | 66 | 76 | 85 |

Actual lengths of boom sections are metric (e.g. 3 m, 6 m). The figures shown above are approximate conversions to feet. For main boom configuration please refer to the table on page 18.

Load capacities with fixed jib 15°

Load capacities in 1000 lbs with 66 ft main boom

| Radius [ft] | Jib length [ft] | | | |
|-------------|-----------------|------|------|------|
| | 36 | 46 | 66 | 85 |
| 30 | 79.1 | | | |
| 40 | 79.1 | 75.3 | 66.4 | 52.1 |
| 50 | 79.1 | 69.3 | 58.1 | 47.8 |
| 60 | 78.4 | 64.3 | 52.1 | 41.8 |
| 70 | 71.8 | 60.0 | 46.0 | 36.8 |
| 80 | 63.5 | 53.8 | 40.6 | 32.8 |
| 90 | 57.6 | 50.2 | 36.8 | 29.4 |
| 100 | 53.0 | 45.9 | 33.3 | 26.8 |
| 110 | | 42.2 | 30.6 | 25.7 |
| 120 | | | 28.5 | 23.5 |
| 125 | | | 27.5 | 22.6 |
| 145 | | | | 19.8 |

181,440 lbs rear counterweight and 79,400 lbs carbody counterweight

Load capacities in 1000 lbs with 115 ft main boom

| Radius [ft] | Jib length [ft] | | | |
|-------------|-----------------|------|------|------|
| | 36 | 46 | 66 | 85 |
| 25 | 79.1 | | | |
| 40 | 79.1 | 79.1 | 68.7 | 51.6 |
| 60 | 79.1 | 70.5 | 57.1 | 45.1 |
| 75 | 76.3 | 65.4 | 50.6 | 39.2 |
| 90 | 59.6 | 60.3 | 44.2 | 34.0 |
| 105 | 48.3 | 48.9 | 39.0 | 30.3 |
| 120 | 40.0 | 40.5 | 35.2 | 27.1 |
| 130 | 35.5 | 36.1 | 32.9 | 26.6 |
| 140 | 31.7 | 32.3 | 31.1 | 25.1 |
| 150 | | 29.0 | 29.6 | 23.7 |
| 170 | | | 24.5 | 21.4 |
| 190 | | | | 19.5 |

181,440 lbs rear counterweight and 79,400 lbs carbody counterweight

Load capacities in 1000 lbs with 164 ft main boom

| Radius [ft] | Jib length [ft] | | | |
|-------------|-----------------|------|------|------|
| | 36 | 46 | 66 | 85 |
| 22 | 79.1 | | | |
| 30 | 79.1 | 79.1 | | |
| 40 | 79.1 | 79.1 | 68.7 | |
| 50 | 79.1 | 78.2 | 66.7 | 48.4 |
| 80 | 68.0 | 68.8 | 53.1 | 39.8 |
| 110 | 43.2 | 43.9 | 44.3 | 32.6 |
| 135 | 31.5 | 32.1 | 33.1 | 28.0 |
| 160 | 23.7 | 24.2 | 25.1 | 25.9 |
| 185 | 18.0 | 18.4 | 19.3 | 20.0 |
| 195 | | 16.5 | 17.4 | 18.1 |
| 215 | | | 14.1 | 14.8 |
| 230 | | | | 12.7 |

181,440 lbs rear counterweight and 79,400 lbs carbody counterweight

Load capacities in 1000 lbs with 213 ft main boom

| Radius [ft] | Jib length [ft] | | | |
|-------------|-----------------|------|------|------|
| | 36 | 46 | 66 | 85 |
| 23.8 | 79.1 | | | |
| 30 | 79.1 | 79.1 | | |
| 40 | 79.1 | 78.2 | 64.6 | |
| 50 | 79.1 | 77.1 | 62.9 | 45.5 |
| 90 | 55.8 | 56.6 | 53.0 | 38.7 |
| 125 | 33.6 | 34.2 | 35.4 | 32.1 |
| 160 | 21.7 | 22.2 | 23.2 | 24.0 |
| 195 | 14.1 | 14.6 | 15.4 | 16.2 |
| 225 | 9.6 | 10.0 | 10.8 | 11.5 |
| 235 | | 8.7 | 9.5 | 10.1 |
| 255 | | | 7.1 | 7.8 |
| 275 | | | | 5.8 |

181,440 lbs rear counterweight and 79,400 lbs carbody counterweight

Load capacities in 1000 lbs with 243 ft main boom

| Radius [ft] | Jib length [ft] | | | |
|-------------|-----------------|------|------|------|
| | 36 | 46 | 66 | 76 |
| 24.8 | 79.1 | | | |
| 30 | 79.1 | 75.9 | | |
| 40 | 79.1 | 75.2 | 60.4 | |
| 50 | 79.1 | 74.2 | 59.1 | 50.4 |
| 95 | 50.4 | 51.3 | 52.1 | 44.0 |
| 135 | 28.2 | 28.8 | 30.0 | 30.6 |
| 175 | 16.7 | 17.2 | 18.2 | 18.6 |
| 215 | 9.6 | 10.0 | 10.8 | 11.3 |
| 250 | 5.2 | 5.6 | 6.4 | 6.8 |
| 260 | | 4.6 | 5.3 | 5.7 |
| 280 | | | 3.4 | 3.8 |
| 290 | | | | 2.9 |

181,440 lbs rear counterweight and 79,400 lbs carbody counterweight

TLT 11962445. Above load charts are for reference only. For actual lift duty please refer to load chart in operator's cabin or manual. Otherwise we recommend you to plan your lifting job using Crane Planner 2.0.



www.liebherr.com/CranePlanner

Crane Planner 2.0

Load capacities with fixed jib 30°

Load capacities in 1000 lbs with 66 ft main boom

| Radius [ft] | Jib length [ft] | | | |
|-------------|-----------------|------|------|------|
| | 36 | 46 | 66 | 85 |
| 35 | 79.1 | | | |
| 50 | 65.5 | 55.1 | 41.3 | |
| 60 | 58.4 | 50.9 | 36.4 | 29.3 |
| 70 | 53.0 | 45.8 | 32.8 | 26.6 |
| 80 | 50.3 | 41.9 | 29.9 | 25.0 |
| 90 | 47.1 | 38.7 | 27.5 | 22.6 |
| 100 | 44.9 | 36.5 | 26.6 | 20.9 |
| 110 | | 35.1 | 25.1 | 19.3 |
| 120 | | | 23.9 | 18.1 |
| 130 | | | 23.2 | 17.1 |
| 140 | | | | 16.4 |
| 150 | | | | 16.0 |

181,440 lbs rear counterweight and 79,400 lbs carbody counterweight

Load capacities in 1000 lbs with 115 ft main boom

| Radius [ft] | Jib length [ft] | | | |
|-------------|-----------------|------|------|------|
| | 36 | 46 | 66 | 85 |
| 29 | 79.1 | | | |
| 50 | 73.3 | 59.9 | 42.2 | |
| 55 | 70.5 | 56.9 | 40.3 | |
| 60 | 67.0 | 54.6 | 38.4 | 28.9 |
| 90 | 53.9 | 45.3 | 30.8 | 24.8 |
| 115 | 43.0 | 39.5 | 26.7 | 21.3 |
| 140 | 31.9 | 32.6 | 25.1 | 18.6 |
| 150 | | 29.2 | 24.2 | 17.8 |
| 160 | | | 23.7 | 17.1 |
| 170 | | | 23.3 | 16.6 |
| 180 | | | | 16.3 |
| 190 | | | | 16.1 |

181,440 lbs rear counterweight and 79,400 lbs carbody counterweight

Load capacities in 1000 lbs with 164 ft main boom

| Radius [ft] | Jib length [ft] | | | |
|-------------|-----------------|------|------|------|
| | 36 | 46 | 66 | 85 |
| 30.7 | 79.1 | | | |
| 40 | 79.1 | 65.4 | | |
| 50 | 78.4 | 62.9 | 43.0 | |
| 55 | 75.0 | 61.7 | 41.8 | |
| 65 | 70.1 | 57.4 | 39.0 | 28.8 |
| 125 | 36.3 | 37.0 | 28.6 | 21.7 |
| 185 | 18.1 | 18.7 | 19.8 | 17.4 |
| 195 | | 16.7 | 17.8 | 16.9 |
| 205 | | | 15.9 | 16.5 |
| 215 | | | 14.2 | 15.2 |
| 225 | | | | 13.6 |
| 235 | | | | 12.1 |

181,440 lbs rear counterweight and 79,400 lbs carbody counterweight

Load capacities in 1000 lbs with 213 ft main boom

| Radius [ft] | Jib length [ft] | | | |
|-------------|-----------------|------|------|------|
| | 36 | 46 | 66 | 85 |
| 32.4 | 79.1 | | | |
| 40 | 79.1 | 63.4 | | |
| 50 | 78.5 | 62.1 | | |
| 55 | 77.2 | 60.5 | 41.2 | |
| 60 | 75.3 | 59.2 | 40.0 | |
| 65 | 72.8 | 58.0 | 39.0 | 28.6 |
| 230 | 9.0 | 9.5 | 10.5 | 11.4 |
| 240 | | 8.2 | 9.1 | 10.1 |
| 245 | | | 8.5 | 9.4 |
| 255 | | | 7.3 | 8.2 |
| 265 | | | | 7.0 |
| 275 | | | | 5.9 |

181,440 lbs rear counterweight and 79,400 lbs carbody counterweight

Load capacities in 1000 lbs with 243 ft main boom

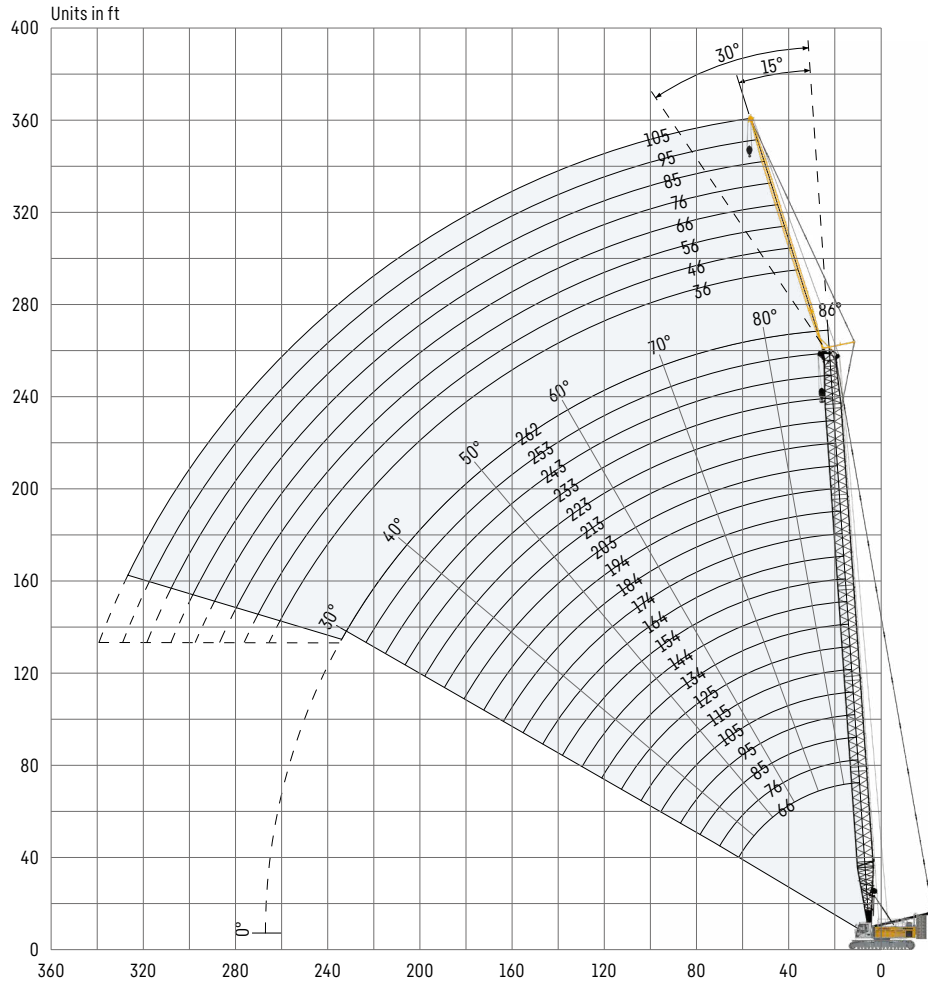
| Radius [ft] | Jib length [ft] | | | |
|-------------|-----------------|------|------|------|
| | 36 | 46 | 66 | 85 |
| 33.5 | 75.6 | | | |
| 40 | 75.5 | 60.7 | | |
| 50 | 75.1 | 59.7 | | |
| 55 | 75.0 | 59.0 | 40.9 | |
| 60 | 74.8 | 58.3 | 40.1 | |
| 65 | 73.6 | 57.7 | 39.2 | 28.3 |
| 255 | 4.8 | 5.3 | 6.2 | 7.1 |
| 265 | | 4.2 | 5.1 | 6.0 |
| 275 | | | 4.1 | 4.9 |
| 285 | | | 3.1 | 3.9 |
| 295 | | | | 3.0 |
| 300 | | | | 2.5 |

181,440 lbs rear counterweight and 79,400 lbs carbody counterweight

TLT 11962445. Above load charts are for reference only. For actual lift duty please refer to load chart in operator's cabin or manual. Otherwise we recommend you to plan your lifting job using Crane Planner 2.0.

Fixed jib 0806.xx

Jib lengths 36-105 ft



Jib configuration 0806.xx

| Jib section | Amount of jib sections | | | | | | | |
|------------------------|------------------------|-----------|-----------|-----------|-----------|-----------|-----------|------------|
| Jib foot 18 ft | 1 | 1 | 1 | 1 | 1 | 1 | 1 | 1 |
| Jib section 10 ft | | 1 | | 1 | | 1 | | 1 |
| Jib section 20 ft | | | 1 | 1 | 2 | 2 | 3 | 3 |
| Jib head 18 ft | 1 | 1 | 1 | 1 | 1 | 1 | 1 | 1 |
| Jib length [ft] | 36 | 46 | 56 | 66 | 76 | 85 | 95 | 105 |

Actual lengths of boom sections are metric (e.g. 3 m, 6 m). The figures shown above are approximate conversions to feet. For main boom configuration please refer to the table on page 18.

Load capacities with fixed jib 15°

Load capacities in 1000 lbs with 66 ft main boom

| Radius [ft] | Jib length [ft] | | | | |
|-------------|-----------------|------|------|------|------|
| | 36 | 56 | 76 | 95 | 105 |
| 35 | 45.5 | | | | |
| 50 | 41.4 | 26.4 | 20.3 | | |
| 55 | 40.0 | 25.5 | 19.8 | 14.1 | 11.5 |
| 65 | 38.0 | 24.1 | 18.7 | 13.3 | 10.7 |
| 75 | 36.2 | 22.9 | 17.9 | 12.5 | 10.0 |
| 85 | 34.6 | 21.9 | 17.0 | 11.9 | 9.4 |
| 100 | 24.2 | 20.8 | 15.9 | 11.0 | 8.7 |
| 110 | | 19.7 | 15.3 | 10.6 | 8.2 |
| 120 | | 17.6 | 14.8 | 10.1 | 7.9 |
| 135 | | | 13.5 | 9.5 | 7.4 |
| 155 | | | | 9.2 | 7.0 |
| 165 | | | | | 6.9 |

181,440 lbs rear counterweight and 79,400 lbs carbody counterweight

Load capacities in 1000 lbs with 115 ft main boom

| Radius [ft] | Jib length [ft] | | | | |
|-------------|-----------------|------|------|------|------|
| | 36 | 56 | 76 | 95 | 105 |
| 30 | 49.2 | | | | |
| 40 | 47.1 | 28.9 | 21.3 | | |
| 50 | 45.2 | 27.5 | 20.4 | 14.5 | 11.8 |
| 65 | 42.4 | 25.6 | 19.4 | 13.5 | 10.9 |
| 85 | 39.1 | 23.7 | 18.0 | 12.4 | 9.9 |
| 105 | 36.5 | 22.3 | 16.9 | 11.5 | 9.0 |
| 125 | 34.1 | 21.1 | 15.9 | 10.6 | 8.3 |
| 140 | 32.1 | 20.3 | 15.3 | 10.2 | 7.9 |
| 160 | | 18.9 | 14.4 | 9.6 | 7.4 |
| 180 | | | 13.3 | 9.2 | 7.0 |
| 200 | | | | 9.0 | 6.9 |
| 210 | | | | | 6.8 |

181,440 lbs rear counterweight and 79,400 lbs carbody counterweight

Load capacities in 1000 lbs with 164 ft main boom

| Radius [ft] | Jib length [ft] | | | | |
|-------------|-----------------|------|------|------|------|
| | 36 | 56 | 76 | 95 | 105 |
| 22 | 46.5 | | | | |
| 30 | 45.5 | 27.9 | | | |
| 40 | 44.4 | 27.1 | 19.3 | | |
| 50 | 42.9 | 26.3 | 18.8 | 13.2 | 11.0 |
| 85 | 39.5 | 23.8 | 17.3 | 12.0 | 9.8 |
| 115 | 37.5 | 22.2 | 16.3 | 11.2 | 8.8 |
| 150 | 27.8 | 20.9 | 15.4 | 10.1 | 7.9 |
| 185 | 19.4 | 19.6 | 14.7 | 9.3 | 7.2 |
| 205 | | 16.9 | 13.9 | 9.0 | 6.9 |
| 220 | | | 13.3 | 8.9 | 6.8 |
| 240 | | | | 8.8 | 6.7 |
| 250 | | | | | 6.7 |

181,440 lbs rear counterweight and 79,400 lbs carbody counterweight

Load capacities in 1000 lbs with 213 ft main boom

| Radius [ft] | Jib length [ft] | | | | |
|-------------|-----------------|------|------|------|-----|
| | 36 | 56 | 76 | 95 | 105 |
| 23.8 | 41.0 | | | | |
| 40 | 39.8 | 25.4 | 17.5 | | |
| 50 | 39.2 | 24.8 | 17.2 | 11.9 | |
| 55 | 38.8 | 24.6 | 17.0 | 11.8 | 9.8 |
| 95 | 36.7 | 22.7 | 15.8 | 10.9 | 9.0 |
| 135 | 30.9 | 21.3 | 15.0 | 10.3 | 8.4 |
| 180 | 18.4 | 19.6 | 14.3 | 9.7 | 7.7 |
| 225 | 11.0 | 12.1 | 13.0 | 9.1 | 7.1 |
| 245 | | 9.6 | 10.5 | 8.9 | 6.8 |
| 265 | | | 8.4 | 8.9 | 6.8 |
| 285 | | | | 7.3 | 6.8 |
| 295 | | | | | 6.7 |

181,440 lbs rear counterweight and 79,400 lbs carbody counterweight

Load capacities in 1000 lbs with 262 ft main boom

| Radius [ft] | Jib length [ft] | | | | |
|-------------|-----------------|------|------|------|------|
| | 36 | 46 | 56 | 66 | 76 |
| 25.5 | 32.9 | | | | |
| 30 | 32.8 | 25.7 | | | |
| 40 | 32.4 | 25.4 | 19.8 | 16.8 | |
| 50 | 32.0 | 25.0 | 19.5 | 16.6 | 13.4 |
| 105 | 29.9 | 23.5 | 18.3 | 15.8 | 12.8 |
| 155 | 22.2 | 22.2 | 17.8 | 15.4 | 12.4 |
| 205 | 11.7 | 12.3 | 12.9 | 13.3 | 11.7 |
| 270 | 3.9 | 4.4 | 4.9 | 5.4 | 5.8 |
| 280 | | 3.5 | 4.0 | 4.4 | 4.9 |
| 290 | | | 3.1 | 3.6 | 4.0 |
| 300 | | | | 2.8 | 3.2 |
| 310 | | | | | 2.5 |

181,440 lbs rear counterweight and 79,400 lbs carbody counterweight

TLT 11962445. Above load charts are for reference only. For actual lift duty please refer to load chart in operator's cabin or manual. Otherwise we recommend you to plan your lifting job using Crane Planner 2.0.



www.liebherr.com/CranePlanner

Crane Planner 2.0

Load capacities with fixed jib 30°

Load capacities in 1000 lbs with 66 ft main boom

| Radius [ft] | Jib length [ft] | | | | |
|-------------|-----------------|------|------|------|-----|
| | 36 | 56 | 76 | 95 | 105 |
| 45 | 38.5 | | | | |
| 55 | 36.8 | 23.2 | | | |
| 65 | 35.2 | 22.4 | 17.3 | | |
| 70 | 34.7 | 22.0 | 16.9 | 11.9 | |
| 75 | 33.2 | 21.6 | 16.6 | 11.6 | 9.2 |
| 85 | 30.6 | 21.0 | 15.9 | 11.1 | 8.8 |
| 100 | 28.2 | 19.3 | 14.9 | 10.4 | 8.1 |
| 110 | | 18.4 | 14.2 | 10.0 | 7.8 |
| 120 | | 17.6 | 13.3 | 9.7 | 7.5 |
| 140 | | | 12.5 | 9.3 | 7.1 |
| 160 | | | | 9.1 | 6.9 |
| 170 | | | | | 6.9 |

181,440 lbs rear counterweight and 79,400 lbs carbody counterweight

Load capacities in 1000 lbs with 115 ft main boom

| Radius [ft] | Jib length [ft] | | | | |
|-------------|-----------------|------|------|------|-----|
| | 36 | 56 | 76 | 95 | 105 |
| 35 | 42.0 | | | | |
| 50 | 39.6 | 24.2 | | | |
| 55 | 39.0 | 23.8 | 18.2 | | |
| 70 | 37.1 | 22.8 | 17.3 | 11.9 | |
| 75 | 36.5 | 22.4 | 17.0 | 11.7 | 9.2 |
| 95 | 34.5 | 21.4 | 16.1 | 10.9 | 8.5 |
| 115 | 30.8 | 20.6 | 15.2 | 10.3 | 8.0 |
| 140 | 28.3 | 18.7 | 13.9 | 9.7 | 7.5 |
| 160 | | 17.6 | 13.0 | 9.4 | 7.2 |
| 180 | | | 12.6 | 9.2 | 7.0 |
| 200 | | | | 9.1 | 6.9 |
| 210 | | | | | 6.9 |

181,440 lbs rear counterweight and 79,400 lbs carbody counterweight

Load capacities in 1000 lbs with 164 ft main boom

| Radius [ft] | Jib length [ft] | | | | |
|-------------|-----------------|------|------|------|-----|
| | 36 | 56 | 76 | 95 | 105 |
| 30.7 | 40.1 | | | | |
| 50 | 38.8 | 23.5 | | | |
| 60 | 38.2 | 23.1 | 17.0 | | |
| 70 | 37.6 | 22.6 | 16.7 | 11.6 | |
| 75 | 37.3 | 22.4 | 16.6 | 11.4 | 8.9 |
| 115 | 34.5 | 21.1 | 15.6 | 10.3 | 8.0 |
| 150 | 28.3 | 19.8 | 14.6 | 9.6 | 7.4 |
| 185 | 19.6 | 18.2 | 13.1 | 9.2 | 7.1 |
| 205 | | 17.1 | 12.8 | 9.1 | 7.0 |
| 225 | | | 12.5 | 9.1 | 6.9 |
| 245 | | | | 9.1 | 6.9 |
| 255 | | | | | 6.9 |

181,440 lbs rear counterweight and 79,400 lbs carbody counterweight

Load capacities in 1000 lbs with 213 ft main boom

| Radius [ft] | Jib length [ft] | | | | |
|-------------|-----------------|------|------|------|-----|
| | 36 | 56 | 76 | 95 | 105 |
| 32.4 | 36.5 | | | | |
| 50 | 35.9 | 22.5 | | | |
| 60 | 35.7 | 22.2 | 15.9 | | |
| 70 | 35.7 | 21.9 | 15.7 | 10.8 | |
| 80 | 35.6 | 21.6 | 15.6 | 10.6 | 8.7 |
| 130 | 33.7 | 20.7 | 15.1 | 10.1 | 8.0 |
| 180 | 18.9 | 19.5 | 14.4 | 9.5 | 7.4 |
| 230 | 10.5 | 11.7 | 12.9 | 9.2 | 7.1 |
| 245 | | 9.8 | 10.9 | 9.2 | 7.1 |
| 265 | | | 8.5 | 9.1 | 7.1 |
| 285 | | | | 7.5 | 7.1 |
| 295 | | | | | 6.9 |

181,440 lbs rear counterweight and 79,400 lbs carbody counterweight

Load capacities in 1000 lbs with 262 ft main boom

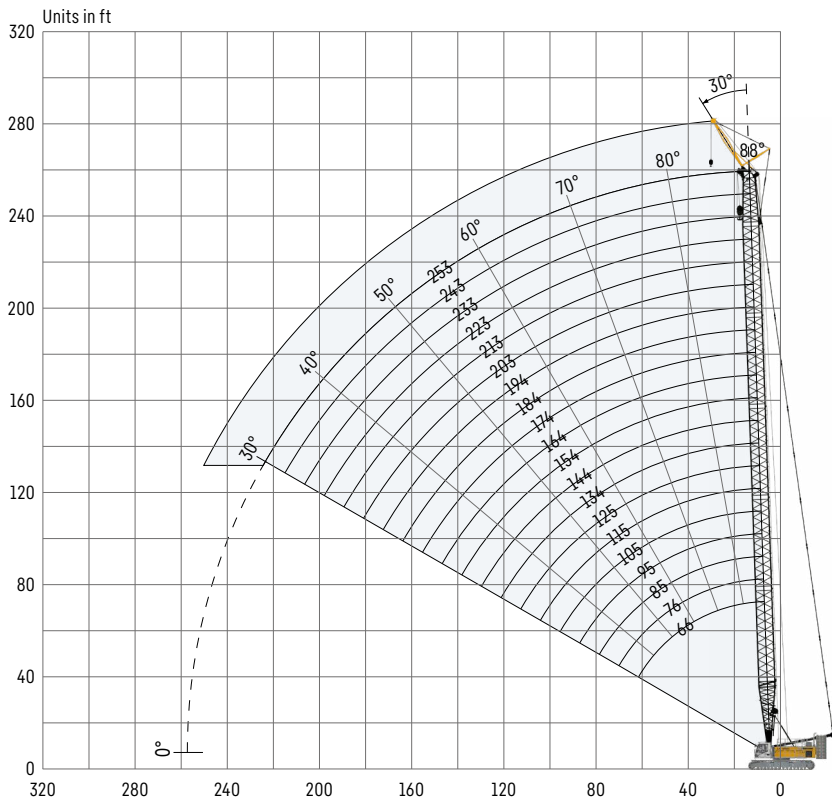
| Radius [ft] | Jib length [ft] | | | | |
|-------------|-----------------|------|------|------|------|
| | 36 | 46 | 56 | 66 | 76 |
| 34.2 | 30.7 | | | | |
| 50 | 30.5 | 24.6 | 19.3 | | |
| 55 | 30.4 | 24.6 | 19.1 | 16.7 | |
| 60 | 30.4 | 24.5 | 19.0 | 16.7 | 13.2 |
| 115 | 29.8 | 24.1 | 18.7 | 16.2 | 12.9 |
| 165 | 20.3 | 21.1 | 18.7 | 15.7 | 12.8 |
| 215 | 10.6 | 11.3 | 12.0 | 12.6 | 12.4 |
| 270 | 4.0 | 4.6 | 5.2 | 5.7 | 6.3 |
| 280 | | 3.6 | 4.2 | 4.7 | 5.3 |
| 290 | | | 3.3 | 3.8 | 4.4 |
| 300 | | | | 2.9 | 3.5 |
| 310 | | | | | 2.6 |

181,440 lbs rear counterweight and 79,400 lbs carbody counterweight

TLT 11962445. Above load charts are for reference only. For actual lift duty please refer to load chart in operator's cabin or manual. Otherwise we recommend you to plan your lifting job using Crane Planner 2.0.

Fixed jib 0906.21

Jib length 23 ft



The jib length is 23 ft, for main boom configuration please refer to the table on page 18.

Load capacities with fixed jib 30°

Load capacities in 1000 lbs with 66 ft main boom

| Radius [ft] | Jib length 23 ft |
|-------------|------------------|
| 35 | 134.2 |
| 40 | 130.7 |
| 50 | 124.6 |
| 55 | 116.8 |
| 60 | 104.0 |
| 65 | 93.4 |
| 70 | 84.6 |
| 75 | 77.1 |
| 80 | 70.7 |
| 85 | 65.0 |

181,440 lbs rear counterweight and 79,400 lbs carbody counterweight

Load capacities in 1000 lbs with 115 ft main boom

| Radius [ft] | Jib length 23 ft |
|-------------|------------------|
| 30 | 155.8 |
| 50 | 132.0 |
| 60 | 102.9 |
| 70 | 83.5 |
| 80 | 69.6 |
| 90 | 59.2 |
| 100 | 51.1 |
| 110 | 44.6 |
| 120 | 39.1 |
| 130 | 34.5 |

181,440 lbs rear counterweight and 79,400 lbs carbody counterweight

Load capacities in 1000 lbs with 164 ft main boom

| Radius [ft] | Jib length 23 ft |
|-------------|------------------|
| 25.9 | 155.8 |
| 50 | 131.0 |
| 65 | 90.9 |
| 75 | 74.5 |
| 90 | 57.5 |
| 100 | 49.4 |
| 115 | 40.0 |
| 125 | 35.1 |
| 140 | 29.1 |
| 150 | 25.8 |
| 170 | 20.3 |

181,440 lbs rear counterweight and 79,400 lbs carbody counterweight

Load capacities in 1000 lbs with 213 ft main boom

| Radius [ft] | Jib length 23 ft |
|-------------|------------------|
| 27.6 | 123.0 |
| 55 | 113.5 |
| 70 | 80.6 |
| 90 | 55.9 |
| 105 | 44.3 |
| 125 | 33.3 |
| 140 | 27.3 |
| 160 | 21.2 |
| 175 | 17.5 |
| 195 | 13.5 |
| 215 | 10.1 |

181,440 lbs rear counterweight and 79,400 lbs carbody counterweight

Load capacities in 1000 lbs with 253 ft main boom

| Radius [ft] | Jib length 23 ft |
|-------------|------------------|
| 29 | 89.2 |
| 55 | 86.5 |
| 75 | 71.7 |
| 95 | 50.2 |
| 115 | 36.8 |
| 135 | 27.6 |
| 160 | 19.6 |
| 180 | 14.8 |
| 200 | 11.0 |
| 220 | 7.9 |
| 250 | 4.1 |

181,440 lbs rear counterweight and 79,400 lbs carbody counterweight

TLT 11962445. Above load charts are for reference only. For actual lift duty please refer to load chart in operator's cabin or manual. Otherwise we recommend you to plan your lifting job using Crane Planner 2.0.



www.liebherr.com/CranePlanner

 **Crane Planner 2.0**



Download datasheet



Please contact us.

Liebherr-Werk Nenzing GmbH · Dr. Hans Liebherr Str. 1 · 6710 Nenzing, Austria
Phone +43 50809 41-473 · crawler.crane@liebherr.com · www.liebherr.com
facebook.com/LiebherrConstruction

Liebherr USA, Co. · 7075 Bennington Street · Houston, TX 77028-5812
Phone (713) 636-4050 · crawler.cranes.usa@liebherr.com · www.liebherr.com
facebook.com/LiebherrConstruction