



**Manitowoc**

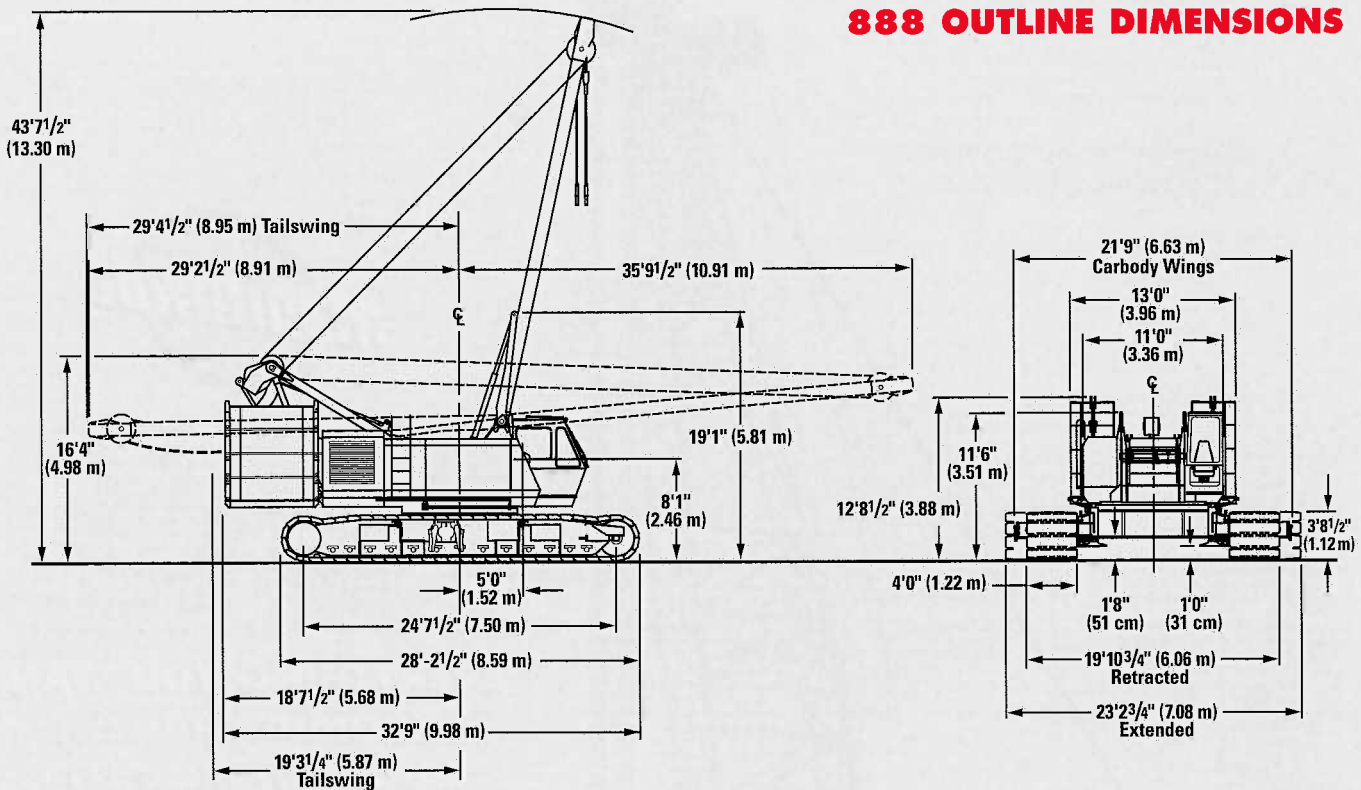
**888**

**EVERYTHING YOU WANT  
FROM A CRANE...  
CAPACITY, MOBILITY,  
& RELIABILITY**

**230-Ton (209-mton) Liftcrane  
32,000 Lb. (14,515 Kg) Clamshell  
20,000 Lb. (9,072 Kg) Dragline**



## 888 OUTLINE DIMENSIONS



### UPPERWORKS

**ROTATING BED:** High-strength fabricated steel rotating bed is mounted on 108" (2.76 m) diameter turntable bearing.

**HOIST DRUMS:** Two full-width hoist drums are standard. Both drums are 37" (94 cm) wide and 19 1/2" (49.5 cm) in diameter. Each is antifriction bearing mounted and driven independently by a variable-displacement hydraulic motor coupled to a planetary reduction. External contracting brakes mounted to the drum shafts are air applied and equipped with spring-set air-released parking brakes. A bi-directional redundant brake mounted between the hydraulic motor and planetary drive is standard for each hoist, and each drum is equipped with ratchet and pawl. A freefall clutch, laggings, and other options are available.

**BOOM HOIST:** Independent boom hoist is powered by a variable-displacement hydraulic motor coupled to a planetary reduction. It is equipped with a bi-directional brake and a ratchet-and-pawl. The boom hoist drum is grooved and measures 13 3/4" (34.6 cm) wide by 18 3/4" (47.6 cm) in diameter.

**SWING SYSTEM:** Independent swing is powered by a fixed-displacement hydraulic motor coupled to an internal brake and planetary reduction. System includes swing lock.

**OPERATOR'S STATION:** Fully enclosed and insulated steel module mounted to the left front corner of the rotating bed. Module is equipped with sliding door, large safety glass windows on all sides and in roof. Standard equipment includes electric horn, cab space heater, dome light, fire extinguisher, air-circulating fan, and windshield wipers for upper front window, lower front window, and roof window.

**ENGINE:** Cummins M11 diesel engine rated 330 HP (246 kW) at 2,100 RPM provides independent power for all machine operations through the multi-hydraulic-pump transmission. Power system includes engine block heater (120V), ether starting aid, transmission disconnect clutch, high-silencing muffler, alcohol injector in air line, hydraulic oil cooler, radiator, and fan.

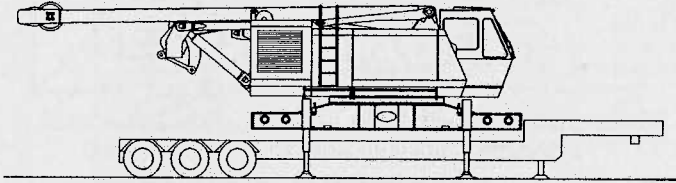
**CONTROLS:** Modulating electronic-over-hydraulic controls provide infinite speed response directly proportional to control lever movement. Controls include Manitowoc's exclusive EPIC® control system providing microprocessor driven control logic, pump control, on-board diagnostics and service information. Block up limit control and drum-rotation indicator are standard for hoist and whip falls.

### LOWERWORKS

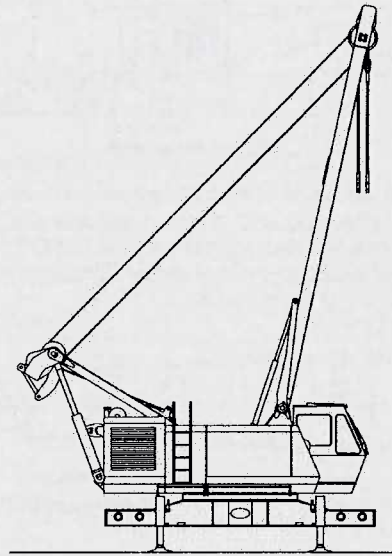
**CARBODY:** Connects rotating bed to crawlers. High-strength fabricated steel assembly with patented FACT™ connection system for fast removal of crawler assemblies. Optional self-assembly system includes four hydraulic jacks that raise entire upperworks-and-carbody unit off the transport trailer. Hydraulic jacks support this unit during crawler installation and removal.

**CRAWLERS:** Crawlers are 28'2 1/2" (8.59 m) long steel fabrication with 48" (1.22 m) wide cast steel crawler tread and sealed low-maintenance intermediate rollers. Each crawler is powered independently by a variable-displacement hydraulic motor. Crawlers provide ample tractive effort to counter rotate with full rated lifter capacities. Each crawler includes two hydraulically powered pins for fast installation and removal from carbody.

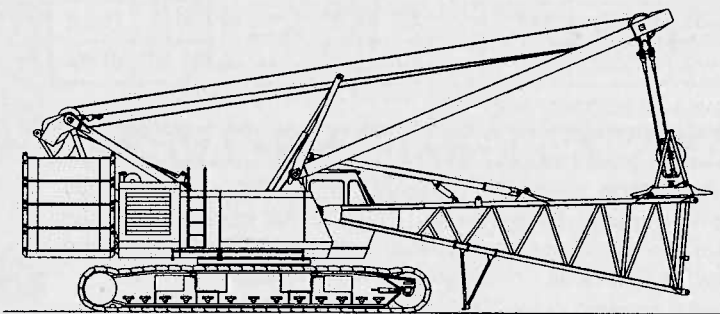
## 888 SELF-ASSEMBLY



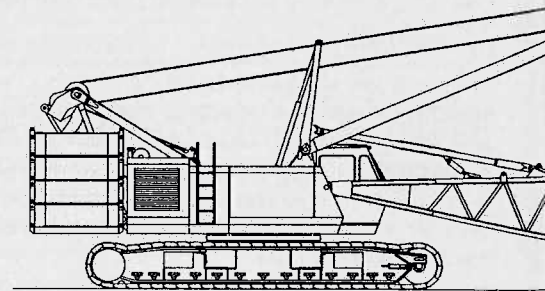
**1** The main shipping module, including carbody, upperworks, gantry, mast, and boom-hoist reeving, arrives as a unit. Optional hydraulic jacks mounted on the carbody raise the unit off its transport trailer.

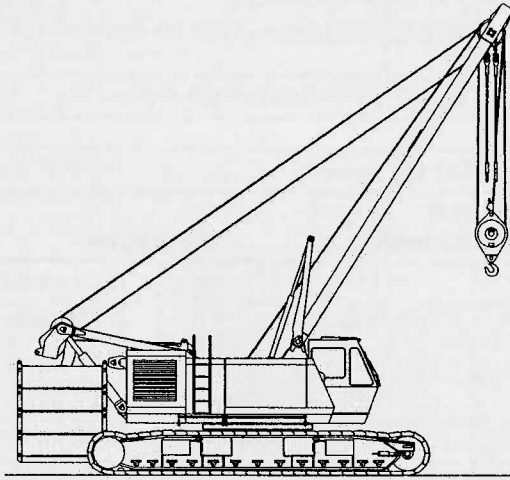
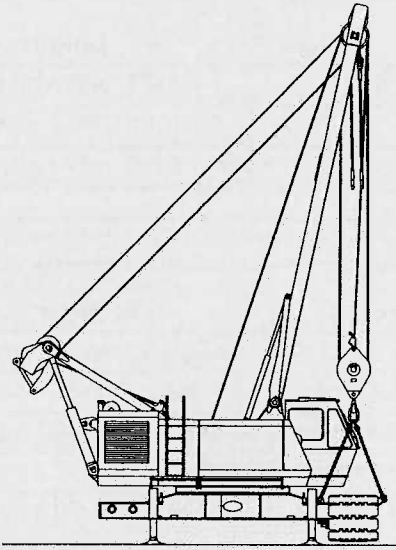


**2** Hydraulic cylinders raise the gantry to working position and lift the mast to vertical. The boom hoist rigging then lowers the mast so it can be rigged with the set-up load block. Wire rope from one of the hoist drums is reeved through sheaves in the mast to rig the block.



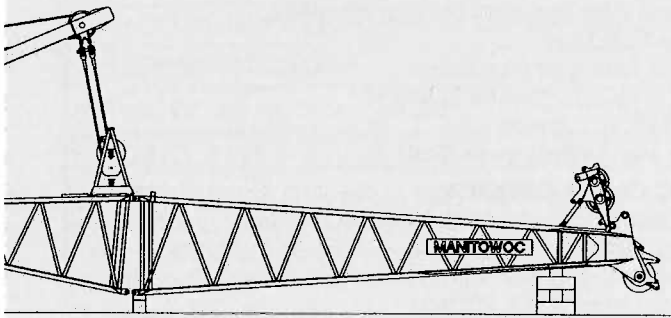
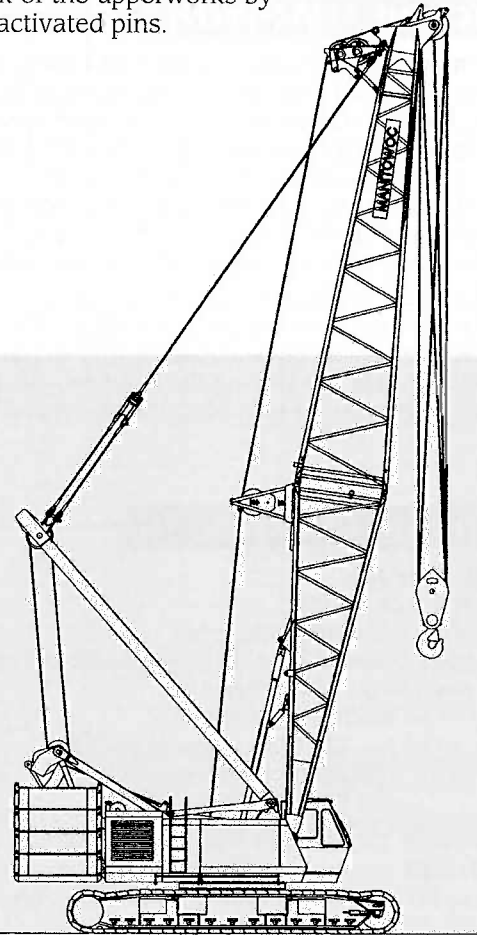
**5** The mast is used to lay out boom sections and install the boom butt. Power-activated pins simplify installation of the butt.





**3** The mast is used to install the crawlers, handle boom sections, stack the counterweights, and lift other components. Crawlers attach using FACT alignment surfaces and powered pins.

**4** The gantry is lowered and pinned to the assembled counterweight. Hydraulic cylinders raise the gantry and counterweight to working position. The counterweight is then connected to the back of the upperworks by power-activated pins.



**6** Boom inserts and top are pinned to the boom butt. Boom-support pendants are pinned to the mast and boom top. Main and auxiliary load lines are reeved.

**7** The assembled 888 booms up and is ready to work.



## PERFORMANCE DATA

Wire Rope Specifications					
Application	Dia.	Description	Breaking Strength	Weight	Length
Lift	26 mm	2160 Grade, Rotation Resistant	147,500 lb (657 kN)	2.13 lb/ft (3.17 kg/m)	1,625' (495.3 m) Hoist 1,010' (307.8 m) Whip
Boom Hoist	22 mm	1960 Grade, Right Regular Lay	97,000 lb (431 kN)	1.46 lb/ft (2.17 kg/m)	1,060' (323.1 m)

Single Line Pull vs. Speed*							
Line Pull (Infinitely Variable)		1st Layer		4th Layer		7th Layer	
0 lb	(0 kN)	272 fpm	(83.0 mpm)	351 fpm	(107.0 mpm)	430 fpm	(131.1 mpm)
5,000 lb	(22.2 kN)	261 fpm	(79.6 mpm)	333 fpm	(101.5 mpm)	404 fpm	(123.1 mpm)
10,000 lb	(44.5 kN)	251 fpm	(76.5 mpm)	316 fpm	(96.3 mpm)	378 fpm	(115.2 mpm)
15,000 lb	(66.7 kN)	240 fpm	(73.2 mpm)	298 fpm	(90.8 mpm)	319 fpm	(97.2 mpm)
20,000 lb	(89.0 kN)	229 fpm	(69.8 mpm)	245 fpm	(74.7 mpm)	260 fpm	(79.2 mpm)
25,000 lb	(111.2 kN)	194 fpm	(59.1 mpm)	209 fpm	(63.7 mpm)	225 fpm	(68.6 mpm)
29,500 lb	(131.2 kN)	172 fpm	(52.4 mpm)	188 fpm	(53.3 mpm)	203 fpm	(61.9 mpm)

\*Based on 1 9/16" (49.5 cm) diameter smooth drum.

**SWING SPEED:** 2.0 RPM.

**GRADEABILITY:** 30%

**TRAVEL SPEED:** 1.0 MPH (1.61 KPH.)

**BOOM HOIST SPEED:** 290' (88.4 m) boom, 0° to 82°, 2 minutes, 50 seconds.

## LIFTCRANE ATTACHMENT

**BASIC BOOM:** The liftcrane is equipped with 70' (21.34 m) No. 22EL basic boom consisting of 30' (9.14 m) butt and 40' (12.19 m) No. 22L top with seven 30" (76.2 cm) diameter sheaves (eighth sheave optional). Includes rope guides, boom-hoist wire rope, boom-angle indicator, and hook and weight ball. Boom inserts available in 10' (3.05 m), 20' (6.10 m), and 40' (12.19 m) lengths. Powered boom-hinge pins are standard.

**MAST:** The 32' (9.75 m) long moving mast connects the boom-hoist reeving to the boom pendants. The mast facilitates self assembly and disassembly of the Model 888. It is capable of handling the crawlers, stacking the counterweights, and assembling the boom and jib.

**GANTRY:** Gantry includes hydraulic gantry-raising cylinders capable of lifting the entire upperworks counterweight for self-removal and installation.

**BOOM STOP:** Air-cushioned physical boom stop and automatic boom stop.

**COUNTERWEIGHT:** The 8-piece counterweight assembly for the 888 Series-1 weighs 144,100 lb (65,360 kg). It consists of a counterweight tray 21,050 lb (9,548 kg), a center counterweight 18,000 lb (8,165 kg), and six upper side counterweights 17,500 (7,938 kg) each. The Series-2 counterweight option includes two additional upper side counterweights 17,500 lb (7,938 kg) each and two carbody counterweights 22,000 lb (9,979 kg) each, for a total counterweight of 223,100 lb (101,200 kg).

## OPTIONAL EQUIPMENT

### BOOM AND JIB:

#### Boom No. 22E or 22EL

- 10' (3.05 m) Insert with pendants
- 10' (3.05 m) Insert with pendants (used with auxiliary drum)
- 20' (6.10 m) Insert with pendants
- 40' (12.19 m) Insert with pendants
- 40' (12.19 m) No. 22C Open-throat boom top
- 30' (9.14 m) Tapered insert with pendants  
(used with light tapered top)
- 50' (15.24 m) Light tapered top

#### Jib No. 123

- 30' (9.14 m) Jib with mounting parts
- 10' (3.05 m) Insert with pendants

#### Jib No. 134

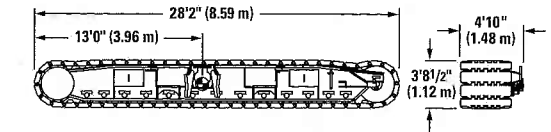
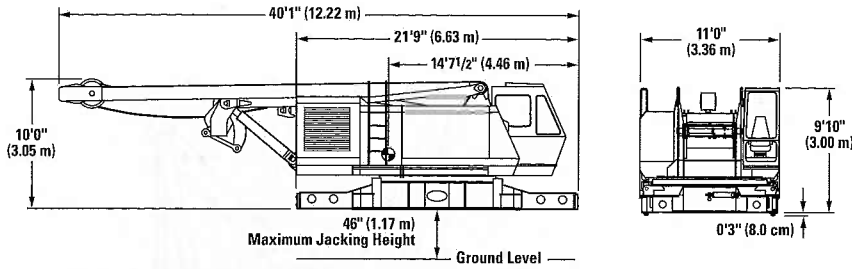
- 30' (9.14 m) Jib with mounting parts
- 10' (3.05 m) Insert with pendants
- 20' (6.10 m) Insert with pendants

### ATTACHMENTS:

- Load blocks
- Single-sheave upper boom point (whipline)
- Series-2 package
- No. 135 luffing-jib attachment
- No. 138 jib extension for luffing-jib
- RINGER® attachment
- Other attachments on request

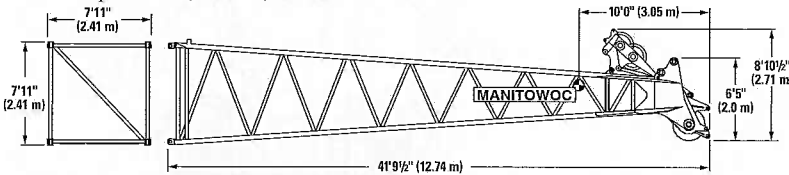
### BASIC CRANE OPTIONS:

- Air conditioner in operator's cab
- Foot control for travel
- Self-assembly system with jacks
- Grooved laggings for liftcrane
- Grooved laggings for clamshell
- Load-moment indicator (LMI)
- High-speed third drum with 20,000-lb (9,072 kg) line pull
- Free-fall clutch
- High-speed hoist drive

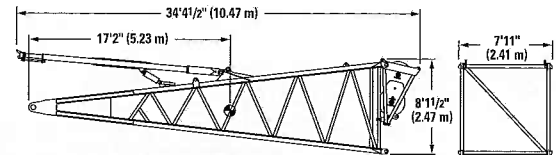


Crawler assembly (2), each 41,300 lb. (18,733 kg).

Main shipping module (carbody, upperworks, operator's cab, gantry, mast, boom-hoist wire rope, and optional self-assembly jacks): 84,500 lb. (38,329 kg). For maximum hoist and whip lines, add 6,000 lb. (2,722 kg). Maximum trailer height for self assembly: 42" (1.07 m). Space between jacks will accommodate trailers up to 10' (3.05 m) wide.



Boom top with seven-sheave lower point, upper wire-rope guide, and basic pendants: 11,090 lb. (5,030 kg).



Boom butt with lower wire-rope guide and air-cushioned physical boom stop: 10,260 lb. (4,654 kg).

Component	Weight		Length		Width		Height	
	Lbs.	(kg)	Ft.	(m)	Ft.	(m)	Ft.	(m)
Upperworks counterweight tray	21,050	(9,548)	13'0"	(3.96)	7'4"	(2.24)	1'0 1/2"	(0.32)
Upperworks center counterweight	18,000	(8,165)	7'6 1/2"	(2.30)	4'1 1/2"	(1.26)	5'0"	(1.52)
Upperworks side counterweight (6 for Series-1; 8 for Series-2) ea.	17,500	(7,938)	7'4"	(2.24)	3'6"	(1.07)	2'3"	(0.69)
Carbody counterweight (2) (used only on Series-2) ea.	22,000	(9,979)	9'10 1/2"	(3.01)	4'10 1/2"	(1.49)	2'4"	(0.72)
10' (3.05 m) No. 22 boom insert with pendants	1,935	(878)	10'6"	(3.20)	7'11"	(2.41)	7'11"	(2.41)
20' (6.10 m) No. 22 boom insert with pendants	3,130*	(1,420)*	20'6"	(6.25)	7'11"	(2.41)	7'11"	(2.41)*
40' (12.19 m) No. 22 boom insert with pendants	5,300*	(2,404)*	40'6"	(12.34)	7'11"	(2.41)	7'11"	(2.41)*
40' (12.19 m) No. 22C open-throat boom top with pendants and wire-rope guide	11,795	(4,668)	45'9"	(13.94)	7'11"	(2.41)	10'6 1/2"	(3.21)
30' (9.14 m) basic No. 123 jib with strut and pendants	2,095	(950)	31'6"	(9.60)	2'6"	(0.76)	3'0"	(0.91)
30' (9.14 m) basic No. 134 jib with strut and pendants	3,443	(1,562)	31'6"	(9.60)	2'6"	(0.76)	3'0"	(0.91)
10' (3.05 m) insert (with pendants) for No.123 or No. 134 jib	480	(218)	10'6"	(3.20)	2'6"	(0.76)	2'6"	(0.76)
20' (6.10 m) No. 134 jib insert with pendants	750	(340)	20'3"	(6.17)	2'7"	(0.79)	2'7"	(0.79)
27' (8.23 m) No. 135 luffing-jib butt	2,285	(1,036)	27'7"	(8.41)	5'0"	(1.52)	4'1"	(1.24)
23' (7.01 m) No. 135 luffing-jib top with pendants	3,150	(1,429)	25'7"	(7.80)	5'0"	(1.52)	4'10"	(1.47)
Main strut for No. 135 luffing-jib	3,400	(1,542)	24'11"	(7.59)	5'1"	(1.55)	2'3"	(0.69)
Jib strut for No. 135 luffing-jib	4,500	(2,041)	28'5"	(8.66)	5'0"	(1.52)	2'3"	(0.69)
10' (3.05 m) No. 135 luffing-jib insert with pendants	845	(383)	10'4"	(3.15)	5'0"	(1.52)	4'1"	(1.24)
20' (6.10 m) No. 135 luffing-jib insert with pendants	1,350	(612)	20'4"	(6.20)	5'0"	(1.52)	4'1"	(1.24)
40' (12.19 m) No. 135 luffing-jib insert with pendants	2,320	(1,052)	40'4"	(12.29)	5'0"	(1.52)	4'1"	(1.24)
Box of miscellaneous parts	4,700	(2,132)	7'6"	(2.29)	3'4"	(1.02)	2'10"	(0.86)

\*Add 100 lbs. (45 kg) to weight and 5" (13 cm) to height for inserts with jib backstay lugs.

**MANITOWOC'S 888...EVERYTHING YOU WANT FROM A CRANE:**

**CAPACITY:** 230-ton (209-mton) maximum capacity. Outlifts many 275-ton (250 mt) lattice-boom cranes and 400-ton (400 mt) telescopic-boom cranes at useful boom lengths and normal working radii.

**MOBILITY:** Complete 888 Series-1 with 260' (79.2 m) of boom ships on 10 trucks. 888 Series-2 with 290' (88.4 m) of boom ships on 11 trucks.

**RELIABILITY:** The 888 is designed and manufactured to deliver the same performance and long life that have earned other Manitowoc cranes a worldwide reputation for reliability and high resale value.

**CODE COMPLIANCE:** Manitowoc has built the 888 to comply with all major operating codes. Consult your Manitowoc distributor for details.





# Liftcrane Boom Capacities

Meets  
ANSI B30.5  
Requirements

## 888 SERIES 2

**Boom No. 22EL**  
**179,100 Lb. Crane Counterweight**  
**44,000 Lb. Carbody Counterweight**  
**360 Degree Rating**

**LIFTING CAPACITIES:** Capacities for various boom lengths and operating radii are for freely suspended loads and do not exceed 75% of a static tipping load. Capacities based on structural competence are denoted by an asterisk (\*). Capacities indicated by (b) require 12,500 Lb. minimum weight. Capacities are not shown for boom positions which, without load, provide less than required ANSI B30.5 backward stability.

Upper boom point capacity for liftcrane service with single part whip line is 29,500 Lbs. or 59,000 Lbs. with two part whip line. When boom butt mounted auxiliary drum is used, capacity with single part whip line is 20,000 Lbs. or 40,000 Lbs. with two part whip line. In all cases, upper boom point capacities cannot exceed those listed for main boom capacity.

250 Ft. thru 290 Ft. boom lengths require only the middle two sheaves in lower boom point. All other sheaves must be removed from lower boom point.

Weight of jib, all load blocks, hooks, weight ball, slings, hoist lines, etc., beneath boom and jib point sheaves, is considered part of main boom load. Boom is not to be lowered beyond radii where combined weights are greater than rated capacity. Where no capacity is shown, operation is not intended or approved.

**OPERATING CONDITIONS:** Machine to operate in a level position on a firm uniformly supporting surface with gantry up. Refer to boom rigging **No. 177156** or **No. 177353** and Wire Rope Specification chart **No. 7810-A**. Crane operator judgment must be used to allow for dynamic load effects of swinging, hoisting or lowering, travel, wind conditions, as well as adverse operating conditions and physical machine depreciation. Refer to operators manual for operating guidelines.

**MACHINE TRAVEL:** Machine to travel on a firm, level and uniformly supporting surface and boom within boom angle range shown in capacity chart. Refer to Maximum Allowable Travel Specification chart **No. 7808-A**.

**OPERATING RADIUS:** Operating radius is horizontal distance from axis of rotation to center of vertical hoist line or load block. Boom angle is angle between horizontal and centerline of boom butt and inserts, and is an indication of operating radius. In all cases, operating radius shall govern capacity.

**BOOM POINT ELEVATION:** Boom point elevation is vertical distance from ground level to centerline of boom point shaft.

**MACHINE EQUIPMENT:** Machine equipped with 28 Ft. 2 in. extendible crawlers, 48 in. treads, 10 Ft. 3 in. retractable gantry, 30 Ft. live mast, 20 part boom hoist reeving, four 1-3/8 in. boom pendants, 179,100 Lb. crane counterweight and 44,000 Lb. carbody counterweight.

Deduct From Capacities When Jib Is Attached	
Jib Length	Jib No. 134
30 Ft.	2,700 Lbs.
40 Ft.	3,500 Lbs.
50 Ft.	4,300 Lbs.
60 Ft.	5,100 Lbs.
70 Ft.	6,100 Lbs.
80 Ft.	7,100 Lbs.

Maximum Boom and Jib Lengths Lifted Unassisted							
Over Front of Blocked Crawlers		Over Rear of Blocked Crawlers		Over Side of Extended Crawlers		Over Side of Retracted Crawlers	
Boom Length	Jib No. 134	Boom Length	Jib No. 134	Boom Length	Jib No. 134	Boom Length	Jib No. 134
(a) 290 Ft.	—	(a) 280 Ft.	—	(a) 260 Ft.	—	230 Ft.	—
280 Ft.	—	270 Ft.	—	250 Ft.	—	220 Ft.	30 Ft.
270 Ft.	—	260 Ft.	40 Ft.	240 Ft.	—	210 Ft.	60 Ft.
260 Ft.	50 Ft.	250 Ft.	70 Ft.	230 Ft.	50 Ft.	200 Ft.	80 Ft.
250 Ft.	80 Ft.	240 Ft.	80 Ft.	220 Ft.	80 Ft.		

Load block, hook and weight ball on ground at start. (a) Upper boom point cannot be used on 290 Ft. boom and cannot be lifted over rear of blocked crawlers on 280 Ft. boom or side of extended crawlers on 260 Ft. boom.

Consult jib chart for jib capacities. Upper boom point cannot be used when jib is attached.



# Liftcrane Boom Capacities

Meets  
ANSI B30.5  
Requirements

# 888 SERIES 2

**Boom No. 22EL**  
**179,100 Lb. Crane Counterweight**  
**44,000 Lb. Carbody Counterweight**  
**360 Degree Rating**

Oper. Rad. Feet	Boom Ang. Deg.	Boom Point Elev. Feet	Boom Capacity Crawlers Retracted Pounds	Boom Capacity Crawlers Extended Pounds
<b>70 Ft. Boom</b>				
16	82.8	77.2		441,000 *b
17	82.0	77.1		408,300 *b
18	81.1	76.9		386,800 *b
19	80.3	76.7		367,400 *b
20	79.5	76.5		349,800 *b
22	77.8	76.0		319,000 *b
24	76.1	75.5		293,000 *b
26	74.4	74.9		270,700 *
28	72.7	74.2		251,400 *
30	70.9	73.5		234,400 *
32	69.2	72.7		219,000
34	67.4	71.8		199,600
36	65.6	70.9		183,200
38	63.7	69.8		169,100
40	61.9	68.7		156,900
42	60.0	67.5		146,200
44	58.0	66.2		136,800
46	56.0	64.8	109,400	128,400
48	54.0	63.4	103,100	120,900
50	51.9	61.7	97,500	114,100
55	46.3	57.1	85,500	99,800
60	40.1	51.4	75,700	88,300
65	32.9	44.2	67,700	78,900
70	23.7	34.1	60,800	70,900
<b>80 Ft. Boom</b>				
17	83.0	87.2		405,400 *b
18	82.3	87.0		386,000 *b
19	81.5	86.9		366,700 *b
20	80.8	86.7		349,100 *b
22	79.3	86.3		318,300 *b
24	77.9	85.8		292,200 *b
26	76.4	85.3		270,000 *
28	74.9	84.7		250,600 *
30	73.4	84.1		233,700 *
32	71.9	83.4		218,800 *
34	70.4	82.7		199,800
36	68.8	81.9		183,400
38	67.3	81.0		169,300
40	65.7	80.0		157,000
42	64.1	79.0		146,300
44	62.4	78.0	116,200	136,900
46	60.8	76.8	109,300	128,500
48	59.1	75.6	103,100	120,900
50	57.4	74.3	97,400	114,200
55	52.9	70.6	85,400	99,800
60	48.2	66.2	75,700	88,300
65	43.0	61.0	67,600	78,900
70	37.3	54.8	60,900	71,000
75	30.6	46.9	55,100	64,300
80	22.0	36.0	50,000	58,500

Oper. Rad. Feet	Boom Ang. Deg.	Boom Point Elev. Feet	Boom Capacity Crawlers Retracted Pounds	Boom Capacity Crawlers Extended Pounds
<b>90 Ft. Boom</b>				
19	82.5	97.0		365,000 *b
20	81.8	96.8		348,600 *b
22	80.5	96.5		317,800 *b
24	79.2	96.1		291,800 *b
26	77.9	95.6		269,500 *
28	76.6	95.1		250,200 *
30	75.3	94.6		233,300 *
32	74.0	94.0		218,400 *
34	72.6	93.3		200,100
36	71.3	92.6		183,600
38	69.9	91.8		169,400
40	68.6	91.0		157,200
42	67.2	90.1	124,000	146,400
44	65.8	89.2	116,300	137,000
46	64.3	88.2	109,300	128,500
48	62.9	87.2	103,100	121,000
50	61.4	86.0	97,400	114,200
55	57.7	82.9	85,400	99,900
60	53.8	79.3	75,700	88,400
65	49.6	75.2	67,600	79,000
70	45.2	70.4	60,900	71,100
75	40.4	64.7	55,200	64,400
80	35.0	57.9	50,200	58,700
85	28.7	49.4	45,800	53,600
90	20.7	37.7	41,900	49,200





# Liftcrane Boom Capacities

Meets  
ANSI B30.5  
Requirements

# 888 SERIES 2

Boom No. 22EL  
179,100 Lb. Crane Counterweight  
44,000 Lb. Carbody Counterweight  
360 Degree Rating

Oper. Rad. Feet	Boom Ang. Deg.	Boom Point Elev. Feet	Boom Capacity Crawlers Retracted Pounds	Boom Capacity Crawlers Extended Pounds
<b>100 Ft. Boom</b>				
20	82.7	107.0		348,200 *b
22	81.5	106.6		317,500 *b
24	80.3	106.3		291,500 *b
26	79.2	105.9		269,200 *
28	78.0	105.4		249,900 *
30	76.8	104.9		233,000 *
32	75.6	104.4		218,100 *
34	74.4	103.8		200,200
36	73.2	103.2		183,700
38	72.0	102.5		169,600
40	70.8	101.8		157,300
42	69.6	101.0	124,100	146,600
44	68.3	100.2	116,300	137,100
46	67.1	99.3	109,400	128,600
48	65.8	98.4	103,100	121,100
50	64.6	97.4	97,500	114,300
55	61.3	94.7	85,400	100,000
60	57.9	91.6	75,700	88,500
65	54.4	88.1	67,700	79,100
70	50.8	84.1	61,000	71,200
75	46.9	79.5	55,300	64,500
80	42.7	74.3	50,300	58,800
85	38.2	68.1	46,000	53,800
90	33.1	60.8	42,200	49,400
95	27.2	51.7	38,800	45,500
100	19.5	39.4	35,700	42,000

Oper. Rad. Feet	Boom Ang. Deg.	Boom Point Elev. Feet	Boom Capacity Crawlers Retracted Pounds	Boom Capacity Crawlers Extended Pounds
<b>110 Ft. Boom</b>				
22	82.3	116.8		316,900 *
24	81.2	116.4		290,900 *
26	80.2	116.1		268,600 *
28	79.1	115.7		249,300 *
30	78.0	115.2		232,400 *
32	77.0	114.7		217,500 *
34	75.9	114.2		200,300
36	74.8	113.6		183,700
38	73.7	113.0		169,600
40	72.6	112.4	132,800	157,300
42	71.5	111.7	124,000	146,500
44	70.4	110.9	116,200	137,000
46	69.3	110.2	109,200	128,500
48	68.2	109.3	103,000	121,000
50	67.0	108.5	97,300	114,200
55	64.1	106.1	85,200	99,800
60	61.2	103.4	75,500	88,300
65	58.1	100.3	67,500	78,900
70	55.0	96.8	60,800	71,000
75	51.7	93.0	55,000	64,300
80	48.2	88.6	50,100	58,600
85	44.5	83.6	45,800	53,600
90	40.6	77.9	42,000	49,300
95	36.3	71.4	38,600	45,400
100	31.5	63.6	35,600	41,900
105	25.8	54.0	32,800	38,800
110	18.6	40.9	30,300	36,000



# Liftcrane Boom Capacities

Meets  
ANSI B30.5  
Requirements

# 888 SERIES 2

Boom No. 22EL  
179,100 Lb. Crane Counterweight  
44,000 Lb. Carbody Counterweight  
360 Degree Rating

Oper. Rad. Feet	Boom Ang. Deg.	Boom Point Elev. Feet	Boom Capacity Crawlers Retracted Pounds	Boom Capacity Crawlers Extended Pounds
<b>120 Ft. Boom</b>				
22	82.9	126.9		309,900 *
24	82.0	126.6		290,400 *
26	81.0	126.2		268,100 *
28	80.0	125.9		248,800 *
30	79.1	125.5		232,000 *
32	78.1	125.0		217,100 *
34	77.1	124.5		200,300
36	76.1	124.0		183,700
38	75.1	123.5	142,600	169,500
40	74.1	122.9	132,700	157,200
42	73.1	122.2	123,900	146,400
44	72.1	121.6	116,100	136,900
46	71.1	120.9	109,100	128,500
48	70.1	120.1	102,800	120,900
50	69.1	119.3	97,200	114,100
55	66.5	117.2	85,100	99,700
60	63.8	114.7	75,400	88,200
65	61.1	112.0	67,300	78,800
70	58.3	109.0	60,600	70,900
75	55.4	105.6	54,900	64,200
80	52.4	101.8	50,000	58,500
85	49.3	97.5	45,700	53,500
90	46.0	92.8	41,900	49,200
95	42.5	87.5	38,500	45,300
100	38.7	81.4	35,500	41,900
105	34.6	74.4	32,800	38,800
110	30.0	66.2	30,400	36,000
115	24.7	56.1	28,100	33,500
120	17.7	42.4	26,000	31,100

Oper. Rad. Feet	Boom Ang. Deg.	Boom Point Elev. Feet	Boom Capacity Crawlers Retracted Pounds	Boom Capacity Crawlers Extended Pounds
<b>130 Ft. Boom</b>				
24	82.6	136.7		285,200 *
26	81.7	136.4		267,800 *
28	80.8	136.0		248,600 *
30	79.9	135.7		231,700 *
32	79.0	135.3		216,800 *
34	78.1	134.8		200,400
36	77.2	134.3	154,100	183,800
38	76.3	133.8	142,600	169,600
40	75.4	133.3	132,700	157,300
42	74.5	132.7	123,900	146,500
44	73.5	132.1	116,100	137,000
46	72.6	131.5	109,100	128,500
48	71.7	130.8	102,800	120,900
50	70.7	130.1	97,100	114,100
55	68.4	128.1	85,100	99,700
60	66.0	125.9	75,300	88,200
65	63.5	123.4	67,300	78,800
70	61.0	120.7	60,600	70,900
75	58.4	117.6	54,900	64,200
80	55.8	114.3	49,900	58,500
85	53.0	110.6	45,600	53,500
90	50.2	106.5	41,900	49,200
95	47.2	101.9	38,500	45,300
100	44.0	96.8	35,500	41,900
105	40.7	91.2	32,800	38,800
110	37.1	84.8	30,400	36,100
115	33.2	77.4	28,200	33,500
120	28.8	68.7	26,100	31,200
125	23.6	58.1	24,300	29,100
130	17.0	43.8	22,500	27,100



# Liftcrane Boom Capacities

Meets  
ANSI B30.5  
Requirements

# 888 SERIES 2

**Boom No. 22EL**  
**179,100 Lb. Crane Counterweight**  
**44,000 Lb. Carbody Counterweight**  
**360 Degree Rating**

Oper. Rad. Feet	Boom Ang. Deg.	Boom Point Elev. Feet	Boom Capacity Crawlers Retracted Pounds	Boom Capacity Crawlers Extended Pounds
<b>140 Ft. Boom</b>				
26	82.3	146.5		267,300 *
28	81.5	146.2		248,000 *
30	80.6	145.8		231,200 *
32	79.8	145.5		216,300 *
34	79.0	145.1	167,100	200,300
36	78.1	144.6	153,900	183,700
38	77.3	144.1	142,500	169,400
40	76.4	143.6	132,500	157,100
42	75.6	143.1	123,700	146,300
44	74.7	142.5	115,900	136,800
46	73.9	141.9	108,900	128,300
48	73.0	141.3	102,600	120,700
50	72.2	140.7	96,900	113,900
55	70.0	138.9	84,900	99,500
60	67.8	136.8	75,100	88,000
65	65.5	134.6	67,100	78,500
70	63.3	132.1	60,400	70,700
75	60.9	129.3	54,600	64,000
80	58.5	126.3	49,700	58,300
85	56.1	123.0	45,400	53,300
90	53.5	119.3	41,600	49,000
95	50.9	115.3	38,300	45,100
100	48.2	110.9	35,300	41,700
105	45.3	106.1	32,600	38,600
110	42.3	100.7	30,200	35,900
115	39.1	94.7	28,000	33,400
120	35.7	87.9	26,000	31,100
125	31.9	80.2	24,100	29,000
130	27.7	71.2	22,400	27,000
135	22.7	60.1	20,800	25,200
140	16.3	45.2	19,300	23,500

Oper. Rad. Feet	Boom Ang. Deg.	Boom Point Elev. Feet	Boom Capacity Crawlers Retracted Pounds	Boom Capacity Crawlers Extended Pounds
<b>150 Ft. Boom</b>				
26	82.8	156.6		244,200 *
28	82.0	156.3		238,700 *
30	81.3	156.0		230,500 *
32	80.5	155.6		215,600 *
34	79.7	155.3	166,900	200,200
36	78.9	154.8	153,700	183,600
38	78.2	154.4	142,300	169,300
40	77.4	153.9	132,300	157,000
42	76.6	153.5	123,400	146,100
44	75.8	152.9	115,600	136,600
46	75.0	152.4	108,600	128,100
48	74.2	151.8	102,300	120,500
50	73.4	151.2	96,600	113,700
55	71.4	149.5	84,500	99,200
60	69.4	147.6	74,800	87,700
65	67.3	145.6	66,700	78,200
70	65.2	143.3	60,000	70,300
75	63.0	140.8	54,200	63,700
80	60.9	138.0	49,300	57,900
85	58.6	135.0	45,000	53,000
90	56.3	131.7	41,200	48,600
95	54.0	128.1	37,900	44,800
100	51.6	124.2	34,900	41,300
105	49.1	119.9	32,200	38,300
110	46.4	115.2	29,800	35,500
115	43.7	110.1	27,600	33,000
120	40.8	104.4	25,600	30,700
125	37.7	98.1	23,700	28,600
130	34.4	91.0	22,000	26,700
135	30.8	82.9	20,500	24,900
140	26.7	73.5	19,000	23,200
145	21.9	62.0	17,600	21,700
150	15.7	46.5	16,300	20,200





# Liftcrane Boom Capacities

Meets  
ANSI B30.5  
Requirements

# 888 SERIES 2

**Boom No. 22EL**  
**179,100 Lb. Crane Counterweight**  
**44,000 Lb. Carbody Counterweight**  
**360 Degree Rating**

Oper. Rad. Feet	Boom Ang. Deg.	Boom Point Elev. Feet	Boom Capacity Crawlers Retracted Pounds	Boom Capacity Crawlers Extended Pounds
<b>160 Ft. Boom</b>				
28	82.5	166.4		228,900 *
30	81.8	166.1		223,800 *
32	81.1	165.8	182,200	215,000 *
34	80.4	165.4	166,700	200,100
36	79.6	165.1	153,500	183,400
38	78.9	164.6	142,000	169,100
40	78.2	164.2	132,000	156,700
42	77.4	163.7	123,200	145,900
44	76.7	163.3	115,300	136,400
46	76.0	162.7	108,300	127,900
48	75.2	162.2	102,000	120,300
50	74.5	161.6	96,300	113,400
55	72.6	160.1	84,200	99,000
60	70.7	158.3	74,500	87,400
65	68.8	156.4	66,400	77,900
70	66.8	154.3	59,700	70,000
75	64.9	152.0	53,900	63,400
80	62.9	149.4	49,000	57,600
85	60.8	146.7	44,700	52,700
90	58.7	143.6	40,900	48,300
95	56.6	140.4	37,600	44,500
100	54.4	136.8	34,600	41,000
105	52.1	133.0	31,900	38,000
110	49.8	128.8	29,500	35,200
115	47.4	124.3	27,300	32,700
120	44.9	119.3	25,300	30,400
125	42.2	113.9	23,400	28,300
130	39.4	108.0	21,800	26,400
135	36.5	101.4	20,200	24,600
140	33.3	94.0	18,700	23,000
145	29.8	85.6	17,400	21,500
150	25.8	75.7	16,100	20,000
155	21.2	63.8	14,900	18,700
160	15.2	47.8	13,800	17,400

Oper. Rad. Feet	Boom Ang. Deg.	Boom Point Elev. Feet	Boom Capacity Crawlers Retracted Pounds	Boom Capacity Crawlers Extended Pounds
<b>170 Ft. Boom</b>				
28	83.0	176.5		213,500 *
30	82.3	176.2	200,500	209,400 *
32	81.6	175.9	182,100	205,400 *
34	80.9	175.6	166,600	200,000
36	80.3	175.2	153,400	183,300
38	79.6	174.9	141,900	169,000
40	78.9	174.4	131,900	156,600
42	78.2	174.0	123,000	145,800
44	77.5	173.6	115,200	136,200
46	76.8	173.1	108,200	127,700
48	76.1	172.6	101,900	120,100
50	75.4	172.0	96,200	113,300
55	73.7	170.6	84,100	98,800
60	71.9	168.9	74,300	87,200
65	70.1	167.1	66,200	77,800
70	68.3	165.2	59,500	69,900
75	66.4	163.0	53,800	63,200
80	64.6	160.6	48,800	57,500
85	62.7	158.1	44,500	52,500
90	60.8	155.3	40,700	48,100
95	58.8	152.3	37,400	44,300
100	56.8	149.1	34,400	40,900
105	54.7	145.6	31,700	37,800
110	52.6	141.8	29,300	35,000
115	50.4	137.7	27,100	32,500
120	48.2	133.3	25,100	30,300
125	45.9	128.5	23,300	28,200
130	43.4	123.3	21,600	26,300
135	40.9	117.6	20,000	24,500
140	38.2	111.4	18,600	22,900
145	35.3	104.5	17,200	21,300
150	32.2	96.8	16,000	19,900
155	28.8	88.1	14,800	18,600
160	25.0	77.9	13,700	17,300
165	20.5	65.6	12,600	16,200



# Liftcrane Boom Capacities

Meets  
ANSI B30.5  
Requirements

# 888 SERIES 2

**Boom No. 22EL**  
**179,100 Lb. Crane Counterweight**  
**44,000 Lb. Carbody Counterweight**  
**360 Degree Rating**

Oper. Rad. Feet	Boom Ang. Deg.	Boom Point Elev. Feet	Boom Capacity Crawlers Retracted Pounds	Boom Capacity Crawlers Extended Pounds
<b>180 Ft. Boom</b>				
30	82.7	186.3	199,200 *	199,200 *
32	82.1	186.0	181,900	195,500 *
34	81.4	185.7	166,400	191,800 *
36	80.8	185.4	153,100	183,100
38	80.2	185.0	141,600	168,800
40	79.5	184.6	131,600	156,400
42	78.9	184.2	122,700	145,500
44	78.2	183.8	114,900	136,000
46	77.6	183.4	107,900	127,500
48	76.9	182.9	101,600	119,800
50	76.2	182.4	95,900	113,000
55	74.6	181.0	83,700	98,500
60	72.9	179.5	74,000	86,900
65	71.2	177.8	65,900	77,500
70	69.5	175.9	59,200	69,500
75	67.8	173.9	53,400	62,900
80	66.1	171.7	48,500	57,100
85	64.3	169.3	44,200	52,100
90	62.5	166.8	40,400	47,800
95	60.7	164.0	37,000	43,900
100	58.9	161.0	34,100	40,500
105	57.0	157.8	31,400	37,500
110	55.0	154.3	29,000	34,700
115	53.0	150.6	26,800	32,200
120	51.0	146.6	24,800	29,900
125	48.9	142.3	22,900	27,800
130	46.7	137.6	21,300	25,900
135	44.5	132.6	19,700	24,200
140	42.1	127.1	18,300	22,500
145	39.7	121.2	16,900	21,000
150	37.1	114.7	15,700	19,600
155	34.3	107.6	14,500	18,300
160	31.3	99.6	13,400	17,100
165	28.0	90.6	12,400	15,900
170	24.3	80.0	11,400	14,800
175	19.9	67.3	10,500	13,800

Oper. Rad. Feet	Boom Ang. Deg.	Boom Point Elev. Feet	Boom Capacity Crawlers Retracted Pounds	Boom Capacity Crawlers Extended Pounds
<b>190 Ft. Boom</b>				
32	82.5	196.2	181,000 *	181,000 *
34	81.9	195.9	166,200	178,000 *
36	81.3	195.5	152,900	175,000 *
38	80.7	195.2	141,400	168,700
40	80.1	194.8	131,300	156,200
42	79.4	194.4	122,500	145,300
44	78.8	194.0	114,600	135,800
46	78.2	193.6	107,600	127,200
48	77.6	193.2	101,300	119,600
50	77.0	192.7	95,500	112,700
55	75.4	191.4	83,400	98,200
60	73.9	189.9	73,600	86,600
65	72.3	188.4	65,500	77,100
70	70.7	186.6	58,800	69,200
75	69.1	184.7	53,000	62,500
80	67.4	182.7	48,000	56,700
85	65.8	180.4	43,700	51,700
90	64.1	178.0	39,900	47,400
95	62.4	175.4	36,600	43,500
100	60.7	172.6	33,600	40,100
105	58.9	169.6	30,900	37,000
110	57.1	166.4	28,500	34,300
115	55.3	163.0	26,300	31,800
120	53.4	159.3	24,300	29,500
125	51.5	155.4	22,500	27,400
130	49.5	151.2	20,800	25,500
135	47.5	146.7	19,200	23,700
140	45.4	141.8	17,800	22,100
145	43.2	136.5	16,500	20,600
150	40.9	130.9	15,200	19,200
155	38.5	124.7	14,000	17,900
160	36.0	118.0	13,000	16,600
165	33.3	110.6	11,900	15,500
170	30.4	102.3	11,000	14,400
175	27.2	93.0	10,000	13,300
180	23.6	82.1	9,200	12,400
185	19.4	68.9	8,300	11,400



# Liftcrane Boom Capacities

Meets  
ANSI B30.5  
Requirements

## 888 SERIES 2

**Boom No. 22EL**  
**179,100 Lb. Crane Counterweight**  
**44,000 Lb. Carbody Counterweight**  
**360 Degree Rating**

Oper. Rad. Feet	Boom Ang. Deg.	Boom Point Elev. Feet	Boom Capacity Crawlers Retracted Pounds	Boom Capacity Crawlers Extended Pounds
<b>200 Ft. Boom</b>				
32	82.9	206.3	171,000 *	171,000 *
34	82.3	206.0	165,900	168,200 *
36	81.7	205.7	152,600	165,400 *
38	81.1	205.3	141,100	162,600 *
40	80.6	205.0	131,000	155,900
42	80.0	204.6	122,200	145,000
44	79.4	204.2	114,300	135,400
46	78.8	203.8	107,200	126,900
48	78.2	203.4	100,900	119,300
50	77.6	203.0	95,200	112,400
55	76.2	201.7	83,000	97,900
60	74.7	200.4	73,200	86,200
65	73.2	198.9	65,100	76,700
70	71.7	197.2	58,400	68,800
75	70.2	195.4	52,600	62,100
80	68.6	193.5	47,700	56,300
85	67.1	191.4	43,300	51,400
90	65.5	189.1	39,600	47,000
95	63.9	186.7	36,200	43,100
100	62.3	184.1	33,200	39,700
105	60.6	181.3	30,500	36,600
110	59.0	178.3	28,100	33,900
115	57.3	175.1	25,900	31,400
120	55.5	171.7	23,900	29,100
125	53.8	168.1	22,100	27,000
130	52.0	164.2	20,400	25,100
135	50.1	160.1	18,800	23,300
140	48.2	155.6	17,400	21,700
145	46.2	150.9	16,100	20,200
150	44.2	145.8	14,800	18,800
155	42.1	140.4	13,700	17,500
160	39.8	134.5	12,600	16,300
165	37.5	128.1	11,600	15,100
170	35.1	121.1	10,600	14,000
175	32.4	113.4	9,700	13,000
180	29.6	104.9	8,800	12,000
185	26.5	95.3	8,000	11,100
190	23.0	84.1	7,200	10,200
195	18.9	70.6	6,500	9,400

Oper. Rad. Feet	Boom Ang. Deg.	Boom Point Elev. Feet	Boom Capacity Crawlers Retracted Pounds	Boom Capacity Crawlers Extended Pounds
<b>210 Ft. Boom</b>				
34	82.7	216.1	158,700 *	158,700 *
36	82.1	215.8	152,400	156,400 *
38	81.6	215.5	140,900	154,100 *
40	81.0	215.1	130,800	151,800 *
42	80.5	214.8	121,900	144,800
44	79.9	214.4	114,000	135,200
46	79.4	214.0	107,000	126,700
48	78.8	213.6	100,700	119,000
50	78.2	213.2	94,900	112,200
55	76.8	212.0	82,800	97,600
60	75.4	210.8	73,000	86,000
65	74.0	209.3	64,900	76,500
70	72.6	207.8	58,100	68,600
75	71.1	206.1	52,300	61,800
80	69.7	204.2	47,400	56,100
85	68.2	202.2	43,100	51,100
90	66.7	200.1	39,300	46,700
95	65.2	197.8	35,900	42,900
100	63.7	195.4	32,900	39,400
105	62.2	192.7	30,200	36,400
110	60.6	189.9	27,800	33,600
115	59.0	187.0	25,600	31,100
120	57.4	183.8	23,600	28,800
125	55.8	180.4	21,800	26,700
130	54.1	176.8	20,100	24,800
135	52.4	173.0	18,600	23,100
140	50.6	168.9	17,100	21,400
145	48.8	164.6	15,800	19,900
150	46.9	160.0	14,600	18,500
155	45.0	155.1	13,400	17,200
160	43.0	149.8	12,300	16,000
165	41.0	144.1	11,300	14,900
170	38.8	138.0	10,300	13,800
175	36.6	131.4	9,400	12,800
180	34.2	124.2	8,600	11,800
185	31.6	116.3	7,800	10,900
190	28.9	107.5	7,000	10,000
195	25.8	97.5	6,300	9,200
200	22.4	86.0	5,600	8,400
205	18.4	72.1	4,900	7,700





# Liftcrane Boom Capacities

Meets  
ANSI B30.5  
Requirements

# 888 SERIES 2

**Boom No. 22EL**  
**179,100 Lb. Crane Counterweight**  
**44,000 Lb. Carbody Counterweight**  
**360 Degree Rating**

Oper. Rad. Feet	Boom Ang. Deg.	Boom Point Elev. Feet	Boom Capacity Crawlers Retracted Pounds	Boom Capacity Crawlers Extended Pounds
<b>220 Ft. Boom</b>				
34	83.0	226.2	147,500 *	147,500 *
36	82.5	225.9	146,600 *	146,600 *
38	82.0	225.6	140,500	144,500 *
40	81.4	225.3	130,500	142,400 *
42	80.9	224.9	121,600	140,200 *
44	80.4	224.6	113,700	134,900
46	79.8	224.2	106,700	126,400
48	79.3	223.8	100,300	118,700
50	78.8	223.4	94,600	111,800
55	77.5	222.3	82,400	97,300
60	76.1	221.1	72,600	85,600
65	74.8	219.7	64,500	76,100
70	73.4	218.3	57,700	68,200
75	72.0	216.6	51,900	61,500
80	70.7	214.9	47,000	55,700
85	69.3	213.0	42,700	50,700
90	67.9	211.0	38,900	46,300
95	66.4	208.8	35,500	42,500
100	65.0	206.5	32,500	39,000
105	63.6	204.0	29,800	36,000
110	62.1	201.4	27,400	33,200
115	60.6	198.6	25,200	30,700
120	59.1	195.6	23,200	28,400
125	57.5	192.5	21,400	26,300
130	56.0	189.1	19,700	24,400
135	54.4	185.6	18,200	22,700
140	52.7	181.8	16,700	21,000
145	51.1	177.8	15,400	19,500
150	49.4	173.5	14,200	18,100
155	47.6	169.0	13,000	16,800
160	45.8	164.2	11,900	15,600
165	43.9	159.1	10,900	14,500
170	42.0	153.6	10,000	13,400
175	40.0	147.7	9,100	12,400
180	37.9	141.4	8,200	11,400
185	35.7	134.6	7,400	10,500
190	33.4	127.1	6,600	9,700
195	30.9	119.0	5,900	8,800
200	28.2	110.0	5,200	8,100
205	25.2	99.7	4,600	7,300
210	21.9	87.9		6,600
215	17.9	73.7		5,900

Oper. Rad. Feet	Boom Ang. Deg.	Boom Point Elev. Feet	Boom Capacity Crawlers Retracted Pounds	Boom Capacity Crawlers Extended Pounds
<b>230 Ft. Boom</b>				
36	82.8	236.0	133,600 *	133,600 *
38	82.3	235.7	133,300 *	133,300 *
40	81.8	235.4	130,200	132,900 *
42	81.3	235.1	121,300	131,500 *
44	80.8	234.7	113,400	129,700 *
46	80.3	234.4	106,400	126,100
48	79.8	234.0	100,000	118,500
50	79.3	233.6	94,300	111,500
55	78.0	232.6	82,100	97,000
60	76.7	231.4	72,200	85,300
65	75.4	230.1	64,100	75,800
70	74.1	228.7	57,300	67,800
75	72.8	227.2	51,500	61,100
80	71.5	225.5	46,500	55,300
85	70.2	223.7	42,200	50,300
90	68.9	221.8	38,400	45,900
95	67.5	219.7	35,100	42,000
100	66.2	217.5	32,100	38,600
105	64.8	215.2	29,400	35,500
110	63.4	212.7	27,000	32,700
115	62.0	210.1	24,800	30,200
120	60.6	207.3	22,700	28,000
125	59.1	204.3	20,900	25,900
130	57.6	201.1	19,200	24,000
135	56.1	197.8	17,700	22,200
140	54.6	194.3	16,200	20,600
145	53.1	190.6	14,900	19,100
150	51.5	186.6	13,700	17,700
155	49.9	182.4	12,500	16,300
160	48.2	178.0	11,400	15,100
165	46.5	173.3	10,400	14,000
170	44.7	168.3	9,500	12,900
175	42.9	163.0	8,600	11,900
180	41.0	157.3	7,700	10,900
185	39.1	151.3	6,900	10,000
190	37.0	144.7	6,100	9,200
195	34.9	137.7	5,400	8,400
200	32.6	130.1	4,700	7,600
205	30.2	121.7	4,100	6,900
210	27.5	112.4		6,200
215	24.6	101.9		5,500
220	21.4	89.8		4,800
225	17.5	75.2		4,200



# Liftcrane Boom Capacities

Meets  
ANSI B30.5  
Requirements

# 888 SERIES 2

**Boom No. 22EL**  
**179,100 Lb. Crane Counterweight**  
**44,000 Lb. Carbody Counterweight**  
**360 Degree Rating**

Oper. Rad. Feet	Boom Ang. Deg.	Boom Point Elev. Feet	Boom Capacity Crawlers Retracted Pounds	Boom Capacity Crawlers Extended Pounds
<b>240 Ft. Boom</b>				
38	82.6	245.8	121,300 *	121,300 *
40	82.2	245.5	121,000 *	121,000 *
42	81.7	245.2	120,700 *	120,700 *
44	81.2	244.9	113,000	120,300 *
46	80.7	244.6	106,000	120,000 *
48	80.2	244.2	99,600	118,100
50	79.7	243.8	93,900	111,200
55	78.5	242.8	81,700	96,600
60	77.3	241.7	71,800	84,900
65	76.1	240.5	63,700	75,400
70	74.8	239.1	56,900	67,400
75	73.6	237.6	51,100	60,700
80	72.3	236.1	46,100	54,900
85	71.1	234.4	41,800	49,900
90	69.8	232.5	38,000	45,500
95	68.5	230.6	34,600	41,600
100	67.2	228.5	31,600	38,200
105	65.9	226.3	28,900	35,100
110	64.6	223.9	26,500	32,300
115	63.3	221.4	24,300	29,800
120	61.9	218.7	22,300	27,500
125	60.5	215.9	20,500	25,400
130	59.2	213.0	18,800	23,500
135	57.7	209.8	17,200	21,800
140	56.3	206.5	15,800	20,100
145	54.9	203.0	14,500	18,600
150	53.4	199.3	13,200	17,200
155	51.9	195.4	12,100	15,900
160	50.3	191.3	11,000	14,700
165	48.7	187.0	10,000	13,600
170	47.1	182.4	9,000	12,500
175	45.4	177.5	8,100	11,500
180	43.7	172.3	7,300	10,500
185	41.9	166.8	6,500	9,600
190	40.1	161.0	5,700	8,800
195	38.2	154.7	5,000	8,000
200	36.2	148.0	4,300	7,200
205	34.1	140.8		6,500
210	31.9	132.9		5,800
215	29.5	124.3		5,100
220	26.9	114.7		4,500

Oper. Rad. Feet	Boom Ang. Deg.	Boom Point Elev. Feet	Boom Capacity Crawlers Retracted Pounds	Boom Capacity Crawlers Extended Pounds
<b>250 Ft. Boom</b>				
38	82.9	255.9	110,200 *	110,200 *
40	82.5	255.6	109,900 *	109,900 *
42	82.0	255.3	109,600 *	109,600 *
44	81.5	255.0	109,300 *	109,300 *
46	81.1	254.7	106,200	109,000 *
48	80.6	254.4	99,800	108,600 *
50	80.1	254.0	94,100	108,300 *
55	79.0	253.0	81,800	96,800
60	77.8	252.0	72,000	85,100
65	76.6	250.8	63,900	75,600
70	75.4	249.5	57,100	67,600
75	74.3	248.1	51,300	60,900
80	73.1	246.6	46,300	55,100
85	71.9	244.9	42,000	50,100
90	70.6	243.2	38,200	45,700
95	69.4	241.3	34,800	41,800
100	68.2	239.3	31,800	38,400
105	66.9	237.2	29,100	35,300
110	65.7	235.0	26,700	32,500
115	64.4	232.6	24,500	30,000
120	63.1	230.1	22,500	27,700
125	61.8	227.4	20,700	25,600
130	60.5	224.6	19,000	23,700
135	59.2	221.6	17,400	22,000
140	57.8	218.5	16,000	20,300
145	56.5	215.2	14,700	18,800
150	55.1	211.7	13,400	17,400
155	53.6	208.1	12,300	16,100
160	52.2	204.2	11,200	14,900
165	50.7	200.2	10,200	13,700
170	49.2	195.9	9,200	12,700
175	47.7	191.4	8,300	11,700
180	46.1	186.6	7,500	10,700
185	44.5	181.6	6,700	9,800
190	42.8	176.2	5,900	9,000
195	41.1	170.6	5,200	8,200
200	39.3	164.5	4,500	7,400
205	37.4	158.1		6,700
210	35.4	151.2		6,000
215	33.4	143.7		5,300
220	31.2	135.7		4,700
225	28.9	126.8		4,100



# Liftcrane Boom Capacities

Meets  
ANSI B30.5  
Requirements

# 888 SERIES 2

**Boom No. 22EL**  
**179,100 Lb. Crane Counterweight**  
**44,000 Lb. Carbody Counterweight**  
**360 Degree Rating**

Oper. Rad. Feet	Boom Ang. Deg.	Boom Point Elev. Feet	Boom Capacity Crawlers Retracted Pounds	Boom Capacity Crawlers Extended Pounds
<b>260 Ft. Boom</b>				
40	82.8	265.7	100,500 *	100,500 *
42	82.3	265.4	100,200 *	100,200 *
44	81.9	265.1	99,900 *	99,900 *
46	81.4	264.8	99,600 *	99,600 *
48	81.0	264.5	99,300 *	99,300 *
50	80.5	264.2	93,700	98,900 *
55	79.4	263.2	81,500	96,400
60	78.3	262.2	71,600	84,700
65	77.2	261.1	63,500	75,200
70	76.0	259.8	56,700	67,200
75	74.9	258.5	50,900	60,500
80	73.7	257.0	45,900	54,700
85	72.6	255.5	41,600	49,700
90	71.4	253.8	37,700	45,300
95	70.2	252.0	34,400	41,400
100	69.1	250.1	31,400	37,900
105	67.9	248.1	28,700	34,900
110	66.7	245.9	26,300	32,100
115	65.5	243.7	24,100	29,600
120	64.2	241.3	22,100	27,300
125	63.0	238.7	20,200	25,200
130	61.8	236.1	18,500	23,300
135	60.5	233.2	17,000	21,500
140	59.2	230.3	15,600	19,900
145	57.9	227.2	14,200	18,400
150	56.6	223.9	13,000	17,000
155	55.3	220.4	11,800	15,700
160	53.9	216.8	10,700	14,500
165	52.5	213.0	9,700	13,300
170	51.1	209.0	8,800	12,200
175	49.7	204.8	7,900	11,200
180	48.2	200.4	7,000	10,300
185	46.7	195.7	6,200	9,400
190	45.1	190.8	5,500	8,500
195	43.5	185.6	4,800	7,700
200	41.9	180.1	4,100	7,000
205	40.2	174.2		6,200
210	38.5	168.0		5,500
215	36.6	161.4		4,900
220	34.7	154.3		4,300

Oper. Rad. Feet	Boom Ang. Deg.	Boom Point Elev. Feet	Boom Capacity Crawlers Retracted Pounds	Boom Capacity Crawlers Extended Pounds
<b>270 Ft. Boom</b>				
40	83.0	275.8	91,900 *	91,900 *
42	82.6	275.5	91,600 *	91,600 *
44	82.2	275.2	91,300 *	91,300 *
46	81.7	274.9	91,000 *	91,000 *
48	81.3	274.6	90,700 *	90,700 *
50	80.9	274.3	90,400 *	90,400 *
55	79.8	273.4	81,100	89,500 *
60	78.7	272.4	71,200	84,400
65	77.6	271.3	63,100	74,800
70	76.5	270.1	56,200	66,800
75	75.5	268.8	50,400	60,100
80	74.4	267.5	45,500	54,300
85	73.2	266.0	41,100	49,200
90	72.1	264.4	37,300	44,800
95	71.0	262.6	33,900	41,000
100	69.9	260.8	30,900	37,500
105	68.7	258.9	28,200	34,400
110	67.6	256.8	25,800	31,600
115	66.4	254.7	23,600	29,100
120	65.3	252.4	21,600	26,800
125	64.1	249.9	19,700	24,700
130	62.9	247.4	18,000	22,800
135	61.7	244.7	16,500	21,000
140	60.5	241.9	15,100	19,400
145	59.2	238.9	13,700	17,900
150	58.0	235.8	12,500	16,500
155	56.7	232.6	11,300	15,200
160	55.4	229.2	10,200	14,000
165	54.1	225.6	9,200	12,800
170	52.8	221.8	8,300	11,700
175	51.5	217.8	7,400	10,700
180	50.1	213.7	6,500	9,800
185	48.7	209.3	5,700	8,900
190	47.2	204.7	5,000	8,000
195	45.8	199.9	4,300	7,200
200	44.2	194.8		6,500
205	42.7	189.5		5,700
210	41.1	183.8		5,000
215	39.4	177.8		4,400





# Liftcrane Boom Capacities

Meets  
ANSI B30.5  
Requirements

# 888 SERIES 2

**Boom No. 22EL**  
**179,100 Lb. Crane Counterweight**  
**44,000 Lb. Carbody Counterweight**  
**360 Degree Rating**

Oper. Rad. Feet	Boom Ang. Deg.	Boom Point Elev. Feet	Boom Capacity Crawlers Retracted Pounds	Boom Capacity Crawlers Extended Pounds
<b>280 Ft. Boom</b>				
42	82.9	285.6	83,000 *	83,000 *
44	82.5	285.3	82,700 *	82,700 *
46	82.0	285.1	82,500 *	82,500 *
48	81.6	284.8	82,200 *	82,200 *
50	81.2	284.4	81,900 *	81,900 *
55	80.2	283.6	80,700	81,200 *
60	79.1	282.6	70,800	80,400 *
65	78.1	281.6	62,600	74,400
70	77.0	280.4	55,800	66,400
75	76.0	279.2	50,000	59,600
80	74.9	277.8	45,000	53,800
85	73.9	276.4	40,700	48,800
90	72.8	274.9	36,900	44,400
95	71.7	273.2	33,500	40,500
100	70.6	271.5	30,500	37,100
105	69.5	269.6	27,800	34,000
110	68.4	267.6	25,300	31,200
115	67.3	265.6	23,100	28,700
120	66.2	263.4	21,100	26,400
125	65.1	261.1	19,300	24,300
130	63.9	258.6	17,600	22,400
135	62.8	256.1	16,000	20,600
140	61.6	253.4	14,600	19,000
145	60.5	250.6	13,300	17,400
150	59.3	247.6	12,000	16,000
155	58.1	244.5	10,900	14,700
160	56.8	241.3	9,800	13,500
165	55.6	237.9	8,800	12,400
170	54.4	234.3	7,800	11,300
175	53.1	230.6	6,900	10,300
180	51.8	226.7	6,100	9,300
185	50.5	222.6	5,300	8,400
190	49.1	218.3	4,500	7,600
195	47.7	213.8		6,800
200	46.3	209.0		6,000
205	44.9	204.0		5,300
210	43.4	198.8		4,600

Oper. Rad. Feet	Boom Ang. Deg.	Boom Point Elev. Feet	Boom Capacity Crawlers Retracted Pounds	Boom Capacity Crawlers Extended Pounds
<b>290 Ft. Boom</b>				
44	82.7	295.4	75,900 *	75,900 *
46	82.3	295.2	75,600 *	75,600 *
48	81.9	294.9	75,300 *	75,300 *
50	81.5	294.6	75,100 *	75,100 *
55	80.5	293.7	74,300 *	74,300 *
60	79.5	292.8	71,100	73,100 *
65	78.5	291.8	63,000	71,000 *
70	77.5	290.7	56,200	66,800
75	76.5	289.5	50,300	60,000
80	75.5	288.2	45,400	54,200
85	74.4	286.8	41,000	49,100
90	73.4	285.3	37,200	44,700
95	72.4	283.8	33,800	40,900
100	71.3	282.1	30,800	37,400
105	70.3	280.3	28,100	34,300
110	69.2	278.4	25,700	31,500
115	68.2	276.4	23,500	29,000
120	67.1	274.3	21,500	26,700
125	66.0	272.1	19,600	24,600
130	64.9	269.8	17,900	22,700
135	63.8	267.3	16,400	20,900
140	62.7	264.7	14,900	19,300
145	61.6	262.0	13,600	17,800
150	60.4	259.2	12,400	16,400
155	59.3	256.3	11,200	15,100
160	58.1	253.2	10,100	13,800
165	57.0	249.9	9,100	12,700
170	55.8	246.6	8,200	11,600
175	54.6	243.0	7,300	10,600
180	53.3	239.3	6,400	9,700
185	52.1	235.5	5,600	8,800
190	50.8	231.4	4,900	7,900
195	49.5	227.2	4,200	7,100
200	48.2	222.7		6,400
205	46.8	218.1		5,600
210	45.5	213.2		4,900
215	44.0	208.1		4,300

# REFERENCE CAPACITY CHART

LIFTCRANE JIB CAPACITIES  
 No. 134 JIB - 5 DEGREE OFFSET  
 223,100-LB COUNTERWEIGHT  
 360 DEGREE RATING



**MANITOWOC**  
 Model 888 Series  
 Boom No. 22E1

Liftcrane capacities comply with ANSI B30.5 requirements and do not exceed 75% of static tipping load. Capacities based on structural competence denoted by an asterisk (\*).

Machine equipped with 28' 2" long fully extended crawlers, 48" treads, 10' 4" gantry, 30' mast, 20-part boom hoist reeving, four 1-3/8" boom pendants, 12' 6" jib strut, 179,100-lb upperworks and 44,000-lb carbody counterweight assemblies.

Weight of all load blocks, hooks, weight balls, slings, hoist lines, etc., beneath boom and jib point sheaves is considered part of jib load. Where no capacity is shown operation is not intended or approved.

## 30 Foot #134 Jib - 5° Offset

Liftcrane Jib Capacities (Thousands of Pounds)												
Radius (Feet)	Boom Lengths (Feet)											
	90	100	120	140	160	180	200	220	240	260	270	
30	59.0*	59.0*										
40	59.0*	59.0*	59.0*	59.0*	59.0*							
50	59.0*	59.0*	59.0*	59.0*	59.0*	59.0*	59.0*	59.0*	59.0*			
60	58.1*	59.0*	59.0*	59.0*	59.0*	59.0*	59.0*	59.0*	59.0*	59.0*	56.5*	
70	56.1*	57.0*	58.7*	59.0*	59.0*	59.0*	59.0*	59.0*	59.0*	59.0*	55.7*	
80	54.5*	55.4*	57.0*	58.5*	59.0*	58.4	57.5	56.8	55.9	55.1	54.7	
90	52.1	51.9	51.2	50.6	49.7	49.0	48.1	47.4	46.4	45.6	45.2	
100	44.9	44.6	43.9	43.3	42.4	41.7	40.8	40.0	39.1	38.3	37.8	
110	39.0	38.8	38.0	37.5	36.6	35.9	34.9	34.2	33.2	32.4	31.9	
120		33.9	33.2	32.7	31.8	31.1	30.1	29.3	28.4	27.6	27.1	
130			29.2	28.7	27.8	27.1	26.1	25.3	24.4	23.5	23.0	
140			25.8	25.3	24.4	23.7	22.7	21.9	21.0	20.1	19.6	
150				22.3	21.5	20.8	19.8	19.0	18.1	17.2	16.7	
160				19.8	18.9	18.2	17.3	16.5	15.5	14.7	14.2	
170					16.7	16.0	15.1	14.3	13.3	12.4	11.9	
180					14.7	14.0	13.1	12.3	11.3	10.5	10.0	
190						12.3	11.3	10.6	9.6	8.7	8.2	
200						10.7	9.8	9.0	8.0	7.2	6.6	
210							8.3	7.6	6.6	5.7	5.2	
220							7.0	6.3	5.3	4.5		
230								5.1	4.1			
240								4.0				

**MANITOWOC ENGINEERING CO.**  
 Division of the Manitowoc Company, Inc.  
 P.O. Box 70 ♦ Manitowoc, WI 54221-0070  
 Telephone: 414-684-6621 ♦ Fax: 414-683-6277

NOTICE: This capacity chart is for reference use only and must not be used for lifting purposes. Regular capacity charts for a specific crane can be purchased from an authorized Manitowoc Distributor.

# REFERENCE CAPACITY CHART

LIFTCRANE JIB CAPACITIES  
 No. 134 JIB - 5 DEGREE OFFSET  
 223,100-LB COUNTERWEIGHT  
 360 DEGREE RATING



**MANITOWOC**  
 Model 888 Series 2  
 Boom No. 22

Liftcrane capacities comply with ANSI B30.5 requirements and do not exceed 75% of static tipping load. Capacities based on structural competence denoted by an asterisk (\*).

Machine equipped with 28' 2" long fully extended crawlers, 48" treads, 10' 4" gantry, 30' mast, 20-part boom hoist reeving, four 1-3/8" boom pendants, 12' 6" jib strut, 179,100-lb upperworks and 44,000-lb carbody counterweight assemblies.

Weight of all load blocks, hooks, weight balls, slings, hoist lines, etc., beneath boom and jib point sheaves is considered part of jib load. Where no capacity is shown operation is not intended or approved.

## 40 Foot #134 Jib 5° Offset

Liftcrane Jib Capacities (Thousands of Pounds)												
Radius (Feet)	Boom Lengths (Feet)											
	90	100	120	140	160	180	200	220	240	260	270	
30	53.6*											
40	50.5*	51.1*	52.3*	53.2*								
50	47.8*	48.5*	49.8*	50.9*	51.8*	52.6*	53.3*	53.9*				
60	45.4*	46.2*	47.7*	48.9*	49.9*	50.8*	51.6*	52.3*	52.9*	53.4*	52.1*	
70	43.4*	44.2*	45.7*	47.0*	48.1*	49.1*	50.0*	50.7*	51.4*	52.0*	51.4*	
80	41.7*	42.5*	44.0*	45.4*	46.5*	47.6*	48.5*	49.3*	50.0*	50.7*	50.7*	
90	40.2*	41.0*	42.5*	43.9*	45.1*	46.2*	47.1*	48.0*	47.1	46.3	45.9	
100	38.4*	39.7*	41.2*	42.6*	43.1	42.4	41.4	40.7	39.7	38.9	38.5	
110	34.9*	37.4*	38.8	38.1	37.2	36.5	35.6	34.8	33.8	33.0	32.5	
120	32.0*	34.3*	33.9	33.3	32.4	31.7	30.7	29.9	29.0	28.1	27.7	
130		30.7	29.9	29.3	28.4	27.6	26.7	25.9	24.9	24.1	23.6	
140			26.5	25.9	25.0	24.2	23.3	22.5	21.5	20.7	20.2	
150			23.5	22.9	22.0	21.3	20.4	19.5	18.6	17.7	17.2	
160				20.4	19.5	18.8	17.8	17.0	16.0	15.2	14.7	
170				18.1	17.2	16.5	15.6	14.8	13.8	12.9	12.4	
180					15.2	14.6	13.6	12.8	11.8	10.9	10.4	
190					13.4	12.8	11.8	11.0	10.0	9.2	8.7	
200						11.2	10.2	9.5	8.5	7.6	7.1	
210						9.7	8.8	8.0	7.0	6.2	5.7	
220							7.5	6.7	5.7	4.9	4.4	
230							6.3	5.5	4.6			
240								4.4				

**MANITOWOC ENGINEERING CO.**  
 Division of the Manitowoc Company, Inc.  
 P.O. Box 70 ♦ Manitowoc, WI 54221-0070  
 Telephone: 414-684-6621 ♦ Fax: 414-683-6277

NOTICE: This capacity chart is for reference use only and must not be used for lifting purposes. Regular capacity charts for a specific crane can be purchased from an authorized Manitowoc Distributor.

# REFERENCE CAPACITY CHART

LIFTCRANE JIB CAPACITIES  
 No. 134 JIB - 5 DEGREE OFFSET  
 223,100-LB COUNTERWEIGHT  
 360 DEGREE RATING



**MANITOWOC**  
 Model 888 Series 2  
 Boom No. 22E

Liftcrane capacities comply with ANSI B30.5 requirements and do not exceed 75% of static tipping load. Capacities based on structural competence denoted by an asterisk (\*).

Machine equipped with 28' 2" long fully extended crawlers, 48" treads, 10' 4" gantry, 30' mast, 20-part boom hoist reeving, four 1-3/8" boom pendants, 12' 6" jib strut, 179,100-lb upperworks and 44,000-lb carbody counterweight assemblies.

Weight of all load blocks, hooks, weight balls, slings, hoist lines, etc., beneath boom and jib point sheaves is considered part of jib load. Where no capacity is shown operation is not intended or approved.

## 50 Foot #134 Jib 5° Offset

Liftcrane Jib Capacities (Thousands of Pounds)										
Radius (Feet)	Boom Lengths (Feet)									
	90	100	120	140	160	180	200	220	240	260
35	42.9*	43.4*								
40	41.7*	42.2*	43.0*	43.7*						
50	39.4*	40.0*	41.0*	41.9*	42.6*	43.2*	43.7*			
60	37.5*	38.1*	39.2*	40.2*	41.0*	41.7*	42.3*	42.8*	43.3*	43.7*
70	35.8*	36.4*	37.6*	38.6*	39.5*	40.3*	40.9*	41.5*	42.1*	42.5*
80	34.2*	34.9*	36.2*	37.2*	38.2*	39.0*	39.7*	40.3*	40.9*	41.4*
90	32.9*	33.6*	34.9*	36.0*	36.9*	37.8*	38.5*	39.2*	39.8*	40.4*
100	31.8*	32.4*	33.7*	34.8*	35.8*	36.7*	37.5*	38.2*	38.8*	39.4
110	29.4*	31.4*	32.6*	33.8*	34.8*	35.7*	36.0	35.2	34.3	33.4
120	26.9*	28.7*	31.7*	32.8*	32.9	32.1	31.2	30.4	29.4	28.6
130	24.8*	26.4*	29.8*	29.8	28.8	28.1	27.1	26.3	25.3	24.5
140		24.6*	27.0	26.4	25.4	24.7	23.7	22.9	21.9	21.1
150			24.1	23.4	22.5	21.7	20.8	19.9	19.0	18.1
160			21.5	20.9	19.9	19.2	18.2	17.4	16.4	15.5
170				18.6	17.7	17.0	16.0	15.2	14.2	13.3
180				16.6	15.7	15.0	14.0	13.2	12.2	11.3
190					13.9	13.2	12.2	11.4	10.4	9.5
200					12.3	11.6	10.6	9.8	8.8	8.0
210						10.2	9.2	8.4	7.4	6.5
220						8.8	7.9	7.1	6.1	5.2
230							6.7	5.9	4.9	4.1
240							5.6	4.8		
245								4.3		

**MANITOWOC ENGINEERING CO.**  
 Division of the Manitowoc Company, Inc.  
 P.O. Box 70 ♦ Manitowoc, WI 54221-0070  
 Telephone: 414-684-6621 ♦ Fax: 414-683-6277

NOTICE: This capacity chart is for reference use only and must not be used for lifting purposes. Regular capacity charts for a specific crane can be purchased from an authorized Manitowoc Distributor.

# REFERENCE CAPACITY CHART

LIFTCRANE JIB CAPACITIES  
 No. 134 JIB - 5 DEGREE OFFSET  
 223,100-LB COUNTERWEIGHT  
 360 DEGREE RATING



**MANITOWOC**  
 Model 888 Series 2  
 Boom No. 22

Liftcrane capacities comply with ANSI B30.5 requirements and do not exceed 75% of static tipping load. Capacities based on structural competence denoted by an asterisk (\*).

Machine equipped with 28' 2" long fully extended crawlers, 48" treads, 10' 4" gantry, 30' mast, 20-part boom hoist reeving, four 1-3/8" boom pendants, 12' 6" jib strut, 179,100-lb upperworks and 44,000-lb carbody counterweight assemblies.

Weight of all load blocks, hooks, weight balls, slings, hoist lines, etc., beneath boom and jib point sheaves is considered part of jib load. Where no capacity is shown operation is not intended or approved.

## 60 Foot #134 Jib 5° Offset

Liftcrane Jib Capacities (Thousands of Pounds)										
Radius (Feet)	Boom Lengths (Feet)									
	90	100	120	140	160	180	200	220	240	260
35	36.1*	36.4*								
40	35.1*	35.5*	36.1*							
50	33.3*	33.8*	34.5*	35.1*	35.7*	36.1*				
60	31.7*	32.2*	33.1*	33.8*	34.4*	34.9*	35.4*	35.8*	36.2*	36.5*
70	30.2*	30.8*	31.8*	32.5*	33.2*	33.8*	34.3*	34.8*	35.2*	35.6*
80	28.7*	29.3*	30.4*	31.4*	32.1*	32.8*	33.3*	33.8*	34.3*	34.7*
90	27.4*	28.1*	29.2*	30.2*	31.1*	31.8*	32.4*	32.9*	33.4*	33.9*
100	26.3*	26.9*	28.1*	29.1*	30.0*	30.8*	31.5*	32.1*	32.6*	33.1*
110	25.3*	25.9*	27.0*	28.1*	29.0*	29.8*	30.6*	31.3*	31.8*	32.3*
120	23.5*	25.0*	26.1*	27.2*	28.1*	28.9*	29.7*	30.4*	29.7	28.8
130	21.5*	23.0*	25.3*	26.3*	27.2*	28.1*	27.4	26.6	25.6	24.8
140	19.9*	21.2*	23.9*	25.5*	25.8	25.0	24.0	23.2	22.2	21.3
150		19.8*	22.2*	23.8	22.9	22.1	21.1	20.2	19.2	18.4
160			20.8*	21.3	20.3	19.5	18.5	17.7	16.7	15.8
170			19.5*	19.0	18.1	17.3	16.3	15.4	14.4	13.6
180				17.0	16.1	15.3	14.3	13.5	12.5	11.6
190				15.2	14.3	13.5	12.5	11.7	10.7	9.8
200					12.7	12.0	11.0	10.1	9.1	8.2
210					11.2	10.5	9.5	8.7	7.7	6.8
220						9.2	8.2	7.4	6.4	5.5
230						8.0	7.0	6.2	5.2	4.3
240							5.9	5.1	4.1	
250							4.9	4.1		

**MANITOWOC ENGINEERING CO.**  
 Division of the Manitowoc Company, Inc.  
 P.O. Box 70 ♦ Manitowoc, WI 54221-0070  
 Telephone: 414-684-6621 ♦ Fax: 414-683-6277

NOTICE: This capacity chart is for reference use only and must not be used for lifting purposes. Regular capacity charts for a specific crane can be purchased from an authorized Manitowoc Distributor.

# REFERENCE CAPACITY CHART

LIFTCRANE JIB CAPACITIES  
 No. 134 JIB - 5 DEGREE OFFSET  
 223,100-LB COUNTERWEIGHT  
 360 DEGREE RATING



**MANITOWOC**  
 Model 888 Series 2  
 Boom No. 22EL

Liftcrane capacities comply with ANSI B30.5 requirements and do not exceed 75% of static tipping load. Capacities based on structural competence denoted by an asterisk (\*).

Machine equipped with 28' 2" long fully extended crawlers, 48" treads, 10' 4" gantry, 30' mast, 20-part boom hoist reeving, four 1-3/8" boom pendants, 12' 6" jib strut, 179,100-lb upperworks and 44,000-lb carbody counterweight assemblies.

Weight of all load blocks, hooks, weight balls, slings, hoist lines, etc., beneath boom and jib point sheaves is considered part of jib load. Where no capacity is shown operation is not intended or approved.

## 70 Foot #134 Jib 5° Offset

Liftcrane Jib Capacities (Thousands of Pounds)										
Radius (Feet)	Boom Lengths (Feet)									
	90	100	120	140	160	180	200	220	240	260
40	27.2*	27.3*	27.4*							
50	26.2*	26.5*	27.1*	27.2*	27.3*	27.4*				
60	25.0*	25.3*	26.0*	26.5*	27.0*	27.2*	27.3*	27.4*	27.4*	
70	23.8*	24.2*	24.9*	25.5*	26.0*	26.5*	26.9*	27.1*	27.2*	27.3*
80	22.8*	23.2*	24.0*	24.6*	25.2*	25.7*	26.1*	26.5*	26.8*	27.1*
90	21.8*	22.2*	23.1*	23.7*	24.3*	24.9*	25.3*	25.8*	26.1*	26.5*
100	20.8*	21.3*	22.2*	22.9*	23.6*	24.1*	24.6*	25.1*	25.5*	25.9*
110	19.9*	20.5*	21.4*	22.2*	22.8*	23.4*	24.0*	24.4*	24.9*	25.3*
120	19.1*	19.7*	20.6*	21.4*	22.1*	22.8*	23.3*	23.8*	24.3*	24.7*
130	18.4*	18.9*	19.9*	20.7*	21.4*	22.1*	22.7*	23.2*	23.7*	24.1*
140	17.7*	18.2*	19.2*	20.0*	20.8*	21.5*	22.1*	22.7*	22.6	21.8
150	17.1*	17.6*	18.6*	19.4*	20.2*	20.9*	21.5*	20.7	19.7	18.8
160		16.9*	18.0*	18.8*	19.6*	20.0	19.0	18.1	17.1	16.2
170			17.4*	18.3*	18.6	17.7	16.7	15.9	14.9	14.0
180			16.7*	17.5	16.6	15.8	14.8	13.9	12.9	12.0
190				15.8	14.8	14.0	13.0	12.2	11.1	10.2
200				14.2	13.2	12.4	11.4	10.6	9.6	8.7
210					11.8	11.0	10.0	9.1	8.1	7.2
220					10.4	9.7	8.7	7.9	6.8	5.9
230						8.5	7.5	6.7	5.7	4.8
240						7.4	6.4	5.6	4.6	
250							5.4	4.6		
260							4.5			

**MANITOWOC ENGINEERING CO.**  
 Division of the Manitowoc Company, Inc.  
 P.O. Box 70 ♦ Manitowoc, WI 54221-0070  
 Telephone: 414-684-6621 ♦ Fax: 414-683-6277

NOTICE: This capacity chart is for reference use only and must not be used for lifting purposes. Regular capacity charts for a specific crane can be purchased from an authorized Manitowoc Distributor.



# REFERENCE CAPACITY CHART

LIFTCRANE JIB CAPACITIES  
 No. 134 JIB - 5 DEGREE OFFSET  
 223,100-LB COUNTERWEIGHT  
 360 DEGREE RATING



**MANITOWOC**  
 Model 888 Series 2  
 Boom No. 22E

Liftcrane capacities comply with ANSI B30.5 requirements and do not exceed 75% of static tipping load. Capacities based on structural competence denoted by an asterisk (\*).

Machine equipped with 28' 2" long fully extended crawlers, 48" treads, 10' 4" gantry, 30' mast, 20-part boom hoist reeving, four 1-3/8" boom pendants, 12' 6" jib strut, 179,100-lb upperworks and 44,000-lb carbody counterweight assemblies.

Weight of all load blocks, hooks, weight balls, slings, hoist lines, etc., beneath boom and jib point sheaves is considered part of jib load. Where no capacity is shown operation is not intended or approved.

## 80 Foot #134 Jib 5° Offset

Radius (Feet)	Liftcrane Capacities (Thousands of Pounds)									
	Boom Lengths (Feet)									
	90	100	120	140	160	180	200	220	240	250
40	20.7*	20.8*								
50	20.4*	20.5*	20.6*	20.7*	20.8*	20.9*				
60	20.1*	20.2*	20.3*	20.5*	20.6*	20.7*	20.7*	20.8*	20.9*	
70	19.8*	19.9*	20.1*	20.2*	20.3*	20.5*	20.5*	20.6*	20.7*	20.7*
80	19.2*	19.6*	19.8*	20.0*	20.1*	20.2*	20.4*	20.4*	20.5*	20.6*
90	18.3*	18.7*	19.4*	19.8*	19.9*	20.0*	20.2*	20.3*	20.4*	20.4*
100	17.5*	17.9*	18.7*	19.3*	19.7*	19.9*	20.0*	20.1*	20.2*	20.2*
110	16.6*	17.1*	17.9*	18.6*	19.2*	19.7*	19.8*	19.9*	20.0*	20.1*
120	15.9*	16.3*	17.2*	17.9*	18.5*	19.1*	19.6*	19.8*	19.9*	19.9*
130	15.1*	15.6*	16.5*	17.3*	17.9*	18.5*	19.0*	19.5*	19.7*	19.8*
140	14.5*	15.0*	15.8*	16.6*	17.3*	17.9*	18.5*	19.0*	19.4*	19.6*
150	13.9*	14.4*	15.2*	16.0*	16.7*	17.4*	17.9*	18.5*	18.9*	19.2*
160	13.4*	13.8*	14.7*	15.5*	16.2*	16.8*	17.4*	18.0*	17.2	16.8
170		13.3*	14.1*	14.9*	15.7*	16.3*	16.9	16.0	15.0	14.6
180			13.7*	14.4*	15.2*	15.8*	14.9	14.0	13.0	12.6
190			13.3*	14.0*	14.7*	14.2	13.2	12.3	11.3	10.8
200				13.6*	13.4	12.6	11.6	10.7	9.7	9.3
210				13.0	12.0	11.2	10.2	9.3	8.3	7.8
220					10.7	9.9	8.9	8.0	7.0	6.6
230					9.5	8.7	7.7	6.8	5.8	5.4
240						7.6	6.6	5.8	4.7	4.3
250						6.6	5.6	4.8		
260							4.7			
265							4.3			

**MANITOWOC ENGINEERING CO.**  
 Division of the Manitowoc Company, Inc.  
 P.O. Box 70 ♦ Manitowoc, WI 54221-0070  
 Telephone: 414-684-6621 ♦ Fax: 414-683-6277

NOTICE: This capacity chart is for reference use only and must not be used for lifting purposes. Regular capacity charts for a specific crane can be purchased from an authorized Manitowoc Distributor.