

# National Crane Series NBT60

## Product Guide

ASME B30.5  
Imperial 85%

### Features

- 39,01 m (128 ft) five-section full power boom
- 54,4 t (60 USt) at 2,44 m (8 ft)
- Self-lubricating Easy Glide wear pads
- Hydraulically removable counterweight system
- Heavy lift load charts available



# Features



## Five-section boom

The Series NBT60 is equipped with a 39,0 (128 ft) boom. An optional 7,9 m - 13,7 m (26 ft - 45 ft) two-section offsettable manual extension is available.

## Counterweight

Two-piece 1361 kg (3000 lb) each (total 2722 kg [6000 lb]) hydraulically removable counterweight slabs. Removable counterweight slabs can be stowed on front outrigger box for roading.



## Deluxe operator's cab

The Series NBT60 operator's cab includes all-steel construction with acoustical lining and tinted glass throughout, air conditioning, deluxe seat with arm rest mounted single-axis electric controllers, windshield and sliding skylight with electric wipers, diesel heater with defroster, circulating fan, fire extinguisher, and dual cab mounted work lights.

## National Crane NBT60

- 54,4 t (60 USt) maximum capacity
- 41,1 m (135 ft) maximum tip height (main boom)
- 54,6 m (179 ft) maximum tip height (boom with extension)



## Outriggers

Equipped with left and right ground-level and in-cab CANbus outrigger controls. The Series NBT60 outriggers allow quick and easy crane set-up and includes a new outrigger beam position sensing system that aids the operator in selecting the right load chart based on the crane's outrigger footprint. The front outrigger box has an X-shaped footprint that eliminates the need for a single front outrigger.

## Dimensions:

Full span:

Front: 7,09 m (23 ft 3 in) Rear: 7,39 m (24 ft 3 in)

Mid span:

Front: 4,72 m (15 ft 6 in) Rear: 4,90 m (16 ft 1 in)

Retracted-front and rear: 2,39 m (7 ft 10 in)

# Features



*\*Product may be shown with optional equipment.*

## National Crane is proud to introduce the Series NBT60 crane

The Series NBT60 represents the pinnacle of machine performance, combining the latest in both hydraulic and electronic machine control. This new product provides premium operator comfort with the latest Manitowoc cab design, simplified machine setup with no need for an SFO and front bumper control of the hoist(s).

- The cable follower will keep constant tension on the rope reducing the potential for bundling
- Speedy-reeve boom tip and sheave blocks simplify rigging changes by decreasing the time needed to change line reeving
- Easy Glide boom wear pads reduce the conditions that cause boom chatter and vibration. The net result is smoother crane operation
- Pressure compensated, load sensing hydraulic system
  - PTO mounted axial piston pump
  - Superstructure mounted reservoir with integral suction valve/filter, return filter, sight gauge, and temperature gauge
  - Oil cooler with 406 mm (16 in) fan and temperature sensor
  - Pressure transducers integral to the lift cylinder holding valve
- LMI system features a 178 mm (7 in) graphical, color display, data logger, error coding, and a USB connection port. Real time crane information is displayed with numerous operator features including: soft metric load chart conversion, hydraulic filter change reminders, an electronic hour meter, and truck diagnostics (fuel level, coolant temperature, and DPF status).
- The display console allows each crane control function to be set independently to reduce speed (100%, 75%, 50%, and 30%)
- Dual axis controls are optional for superior operator control, along with standard air conditioning, a diesel heater and ergonomic seat

# Contents

Specifications	5
Weights	7
Mounting configurations	8
Dimensions	10
Heavy lift (working range and load charts)	12
Minimum truck (working range and load charts)	34
Accessories	56

# Specifications

## Boom and extension combinations data

**NBT60-128:** Equipped with a 9,7 m - 39,0 m (31.7 ft - 128 ft) five-section boom. This model can be equipped with a 7,9 m - 13,7 m (26 ft - 45 ft) two-section offsettable extension, providing a maximum tip height of 54,6 m (179 ft).



9,7 m - 39,0 m (31.7 ft - 128 ft) five-section full power boom

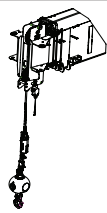

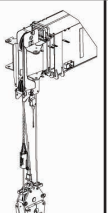
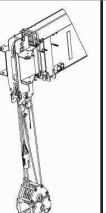
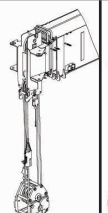
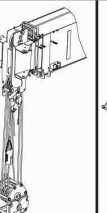
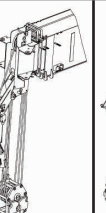
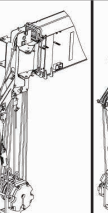



**FJM-0S** 7,9 m - 13,7 m (26 ft - 45 ft) two-section offsettable 0° and 30° manual extension



**Note:** Maximum tip is measured with outriggers/stabilizers fully extended.

# Specifications

## NBT60 Series provisional winch data

	1 part line max. pull	2 part line max. pull	3 part line max. pull	4 part line max. pull	5 part line max. pull	6 part line max. pull	7 part line max. pull	8 part line max. pull	9 part line max. pull	10 part line max. pull	11 part line max. pull	
												
Standard planetary winch	Headache ball	1-sheave			2-sheave			5-sheave				
	Low speed	5103 kg (11,250 lb) 58,2 m/min (191 fpm)	10 206 kg (22,500 lb) 28,9 m/min (95 fpm)	15 309 kg (33,750 lb) 19,2 m/min (63 fpm)	20 412 kg (45,000 lb) 17,3 m/min (47 fpm)	25 515 kg (56,250 lb) 11,6 m/min (38 fpm)	30 618 kg (67,500 lb) 9,4 m/min (31 fpm)	35 712 kg (78,750 lb) 8,2 m/min (27 fpm)	40 824 kg (90,000 lb) 7,0 m/min (23 fpm)	45 926 kg (101,250 lb) 6,4 m/min (21 fpm)	51 030 kg (112,500 lb) 5,8 m/min (19 fpm)	54 431 kg (120,000 lb) 5,3 m/min (17 fpm)
	High speed	2268 kg (5,000 lb) 116,7 m/min (383 fpm)	4536 kg (10,000 lb) 58,2 m/min (191 fpm)	6804 kg (15,000 lb) 38,7 m/min (127 fpm)	9072 kg (20,000 lb) 28,9 m/min (95 fpm)	11 340 kg (25,000 lb) 23,2 m/min (76 fpm)	13 608 kg (30,000 lb) 19,2 m/min (63 fpm)	15 876 kg (35,000 lb) 16,5 m/min (54 fpm)	18 144 kg (40,000 lb) 14,3 m/min (47 fpm)	20 412 kg (45,000 lb) 12,8 m/min (42 fpm)	22 680 kg (50,000 lb) 11,6 m/min (38 fpm)	24 948 kg (55,000 lb) 10,6 m/min (34 fpm)

\*Cable supplied is 16 mm (5/8 in) diameter rotation resistant IWRC. Average breaking strength 25 583 kg (56,400 lb).

- All winch pulls and speeds are shown on the fourth layer.
- Winch line pulls would increase on the first, second, and third layers.
- Winch line speed would decrease on the first, second, and third layers.
- Winch line pulls may be limited by the winch capacity or the ANSI 5 to 1 cable safety factor.

Winch	Fourth layer pull	Allowable cable pull
Standard planetary and auxiliary planetary	2268 kg (5000 lb) high speed 5117 kg (11,280 lb) low speed	5117 kg (11,280 lb) 5117 kg (11,280 lb)

Loadline deduct		
	Aux boom nose	36 kg (80 lb)
7 USt	Downhaul weight	78 kg (171 lb)
20 USt	1-sheave block	181 kg (400 lb)
40 USt	3-sheave block	272 kg (500 lb)
60 USt	5-sheave block	498 kg (1098 lb)

# Weights

Weight and CG estimates (see notes)				
Standard NBT Configuration	Horizontal CG mm (in)	Weight w/fluids kg (lb)	CWT pinned (# slabs)	CWT stowed (# slabs)
NBT60128	438 (17.2)	23 092 (50,909)	2	0
NBT60128	847 (33.4)	23 092 (50,909)	1	1
NBT60128	1266 (49.8)	23 092 (50,909)	0	2
NBT60128	683 (26.9)	21 724 (47,893)	1	0
NBT60128	1128 (44.4)	21 724 (47,893)	0	1
NBT60128	1039 (40.9)	20 013 (44,121)	0	0

### Weight and center of gravity notes:

1. Information provided is for reference only (calculated weights).

2. Weight and CG data is applicable for a standard machine:

128 ft boom

2/3 part line block included

Main hoist only (IPO counterweight installed)

Standard decking with fixed access ladder

No boom extension equipped

No optional turret access step

No aux nose or optional hook blocks

3. All counterweight configurations are shown in table:

Pinned = attached to cylinders and turret (in use)

Stowed = attached to torsion box (not in use)

“2” = top & bottom slabs

“1” = top or bottom slab only

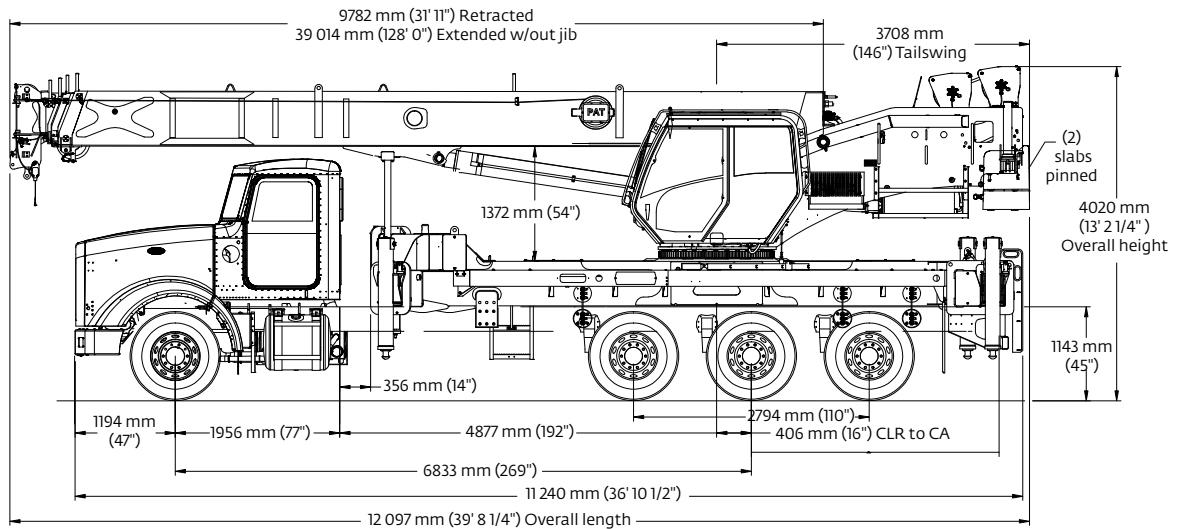
“0” = No slab pinned and/or stowed

If both stowed and pinned columns are “0”, the counterweight is physically removed from the machine. IPO is also assumed removed in this case.

For more information about mounting configuration options, please contact your local National Crane dealer.

# Mounting configurations

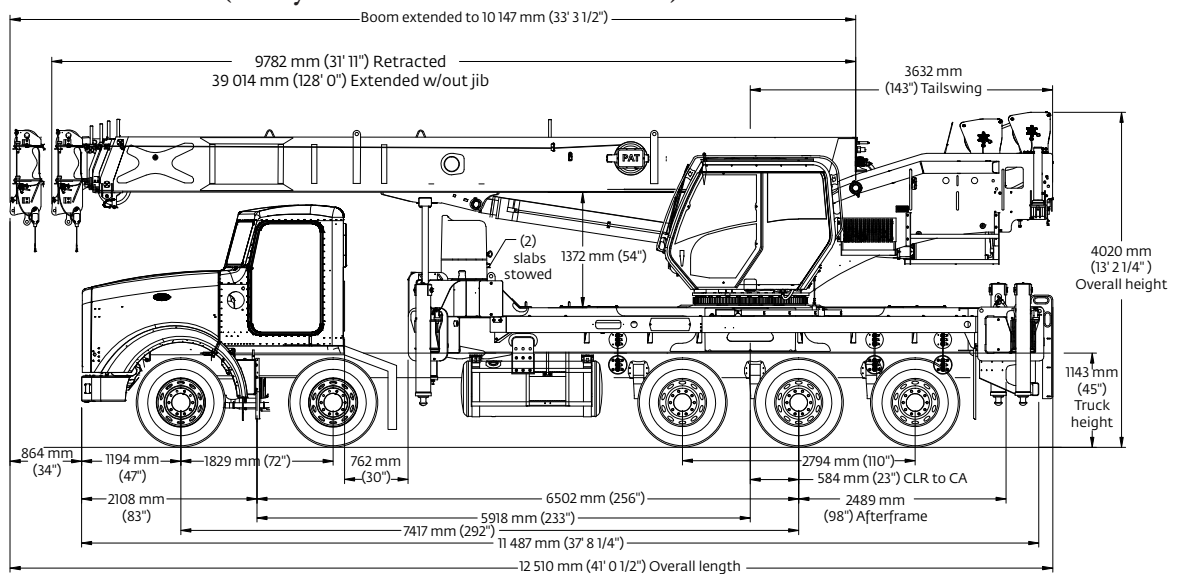
## Configuration 1 -NBT60128 (4-axle Minimum Truck)



Working area	360°
Gross Axle Weight Rating, Front	9072 kg (20,000 lb)
Gross Axle Weight Rating, Rear	29 937 kg (66,000 lb)
Gross Vehicle Weight Rating	39 009 kg (86,000 lb)
Wheelbase (WB)	683 cm (269 in)
Cab to Axle/Cab to Trunnion (CA/CT)	488 cm (192 in)

Frame Strength	785 MPa (110,000 PSI)
Frame Section Modulus (SM); front axle to end of AF	327 cm <sup>3</sup> (20 in <sup>3</sup> )
Stability Weight, Front	4445 kg (9800 lb)
Stability Weight, Rear	5670 kg (12,500 lb)
*NOTE: Estimated axles scale weights prior to installation of crane assembly for 85% stability.	

## Configuration 2 – NBT60128 (Heavy Lift Truck – Tandem/Tridem)



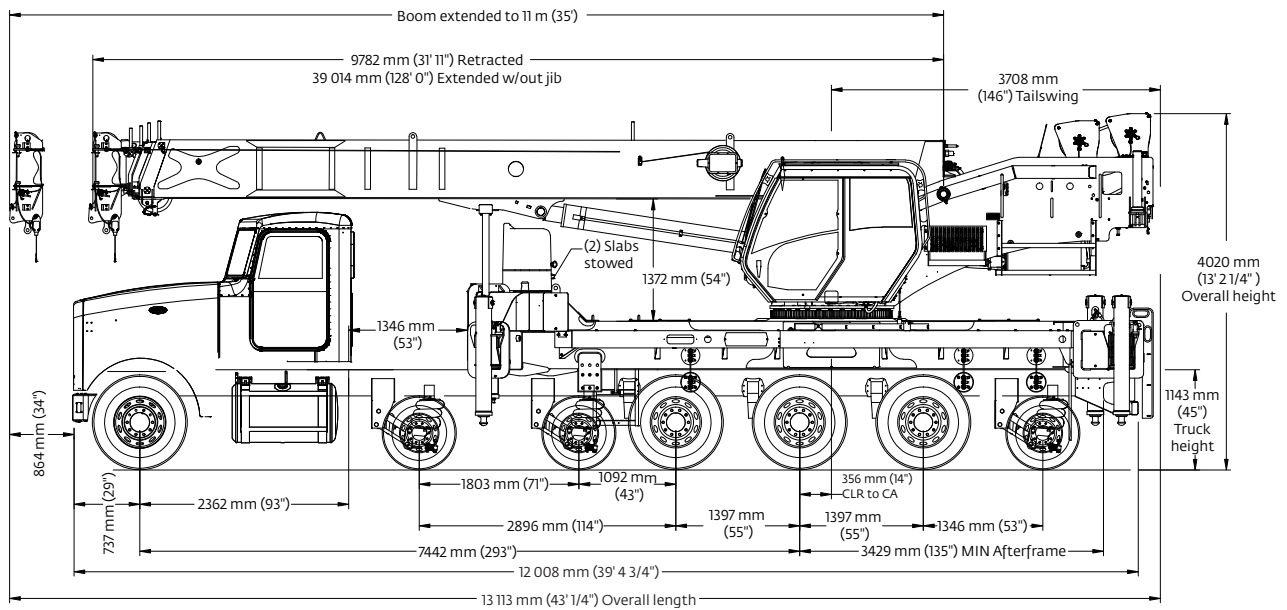
Working area	360°
Gross Axle Weight Rating, Front	18 144 kg (40,000 lb)
Gross Axle Weight Rating, Rear	29 937 kg (66,000 lb)
Gross Vehicle Weight Rating	48 080 kg (106,000 lb)
Wheelbase (WB)	742 cm (292 in)
Cab to Axle/Cab to Trunnion (CA/CT)	546 cm (215 in)

Frame Strength	785 MPa (110,000 PSI)
Frame Section Modulus (SM); front axle to end of AF	327 cm <sup>3</sup> (20 in <sup>3</sup> )
Stability Weight, Front	6940 kg (15,300 lb)
Stability Weight, Rear	5125 kg (11,300 lb)
*NOTE: Estimated axles scale weights prior to installation of crane assembly for 85% stability.	



# Mounting configurations

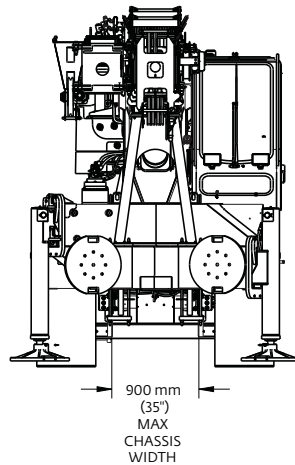
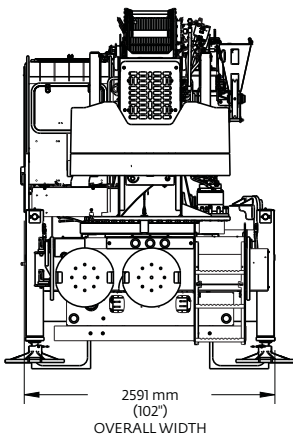
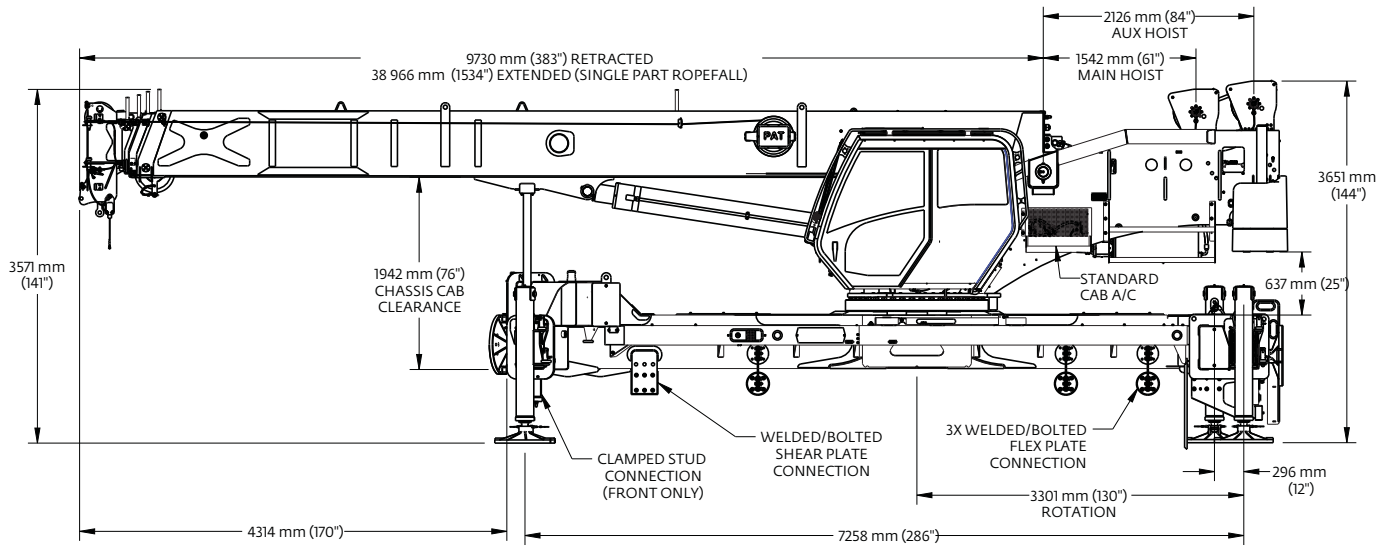
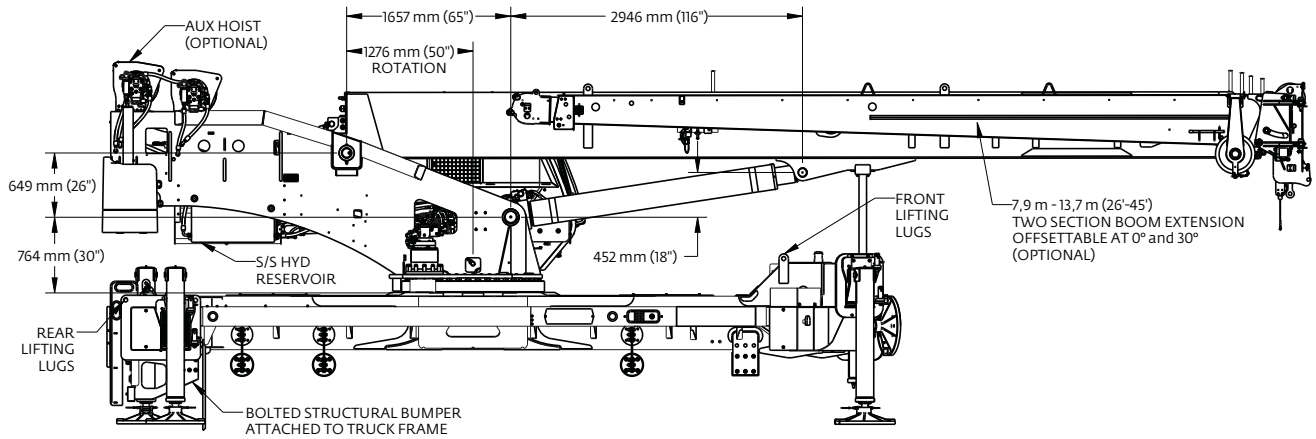
## Configuration 3 – NBT60128 (7-axle-Federal Bridge Law Compliant)



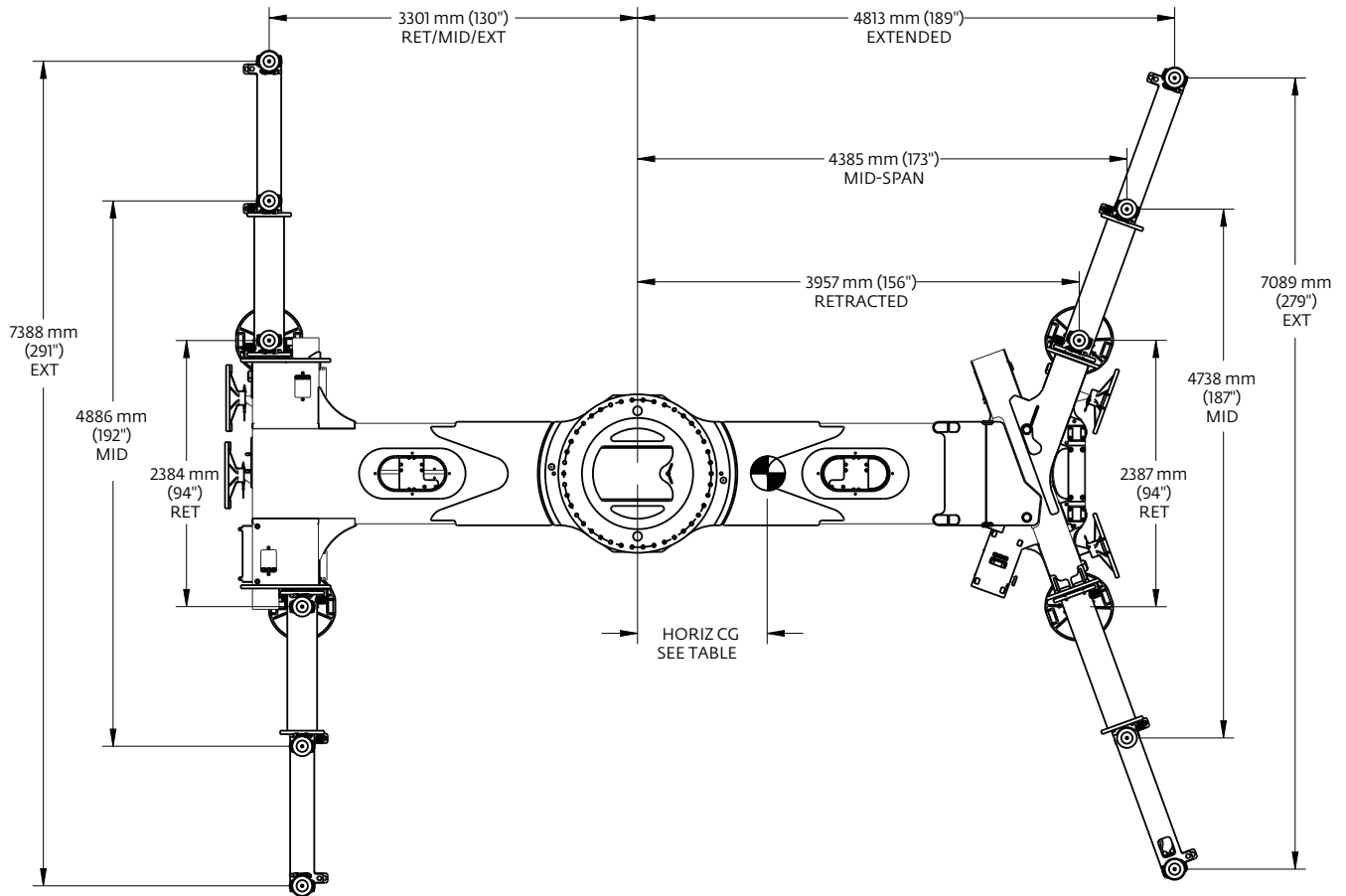
Working area	360°
Gross Axle Weight Rating, Front	9072 kg (20,000 lb)
Gross Axle Weight Rating, Rear	29 937 kg (66,000 lb)
Gross Vehicle Weight Rating, Pusher 1	3629 kg (8,000 lb)
Gross Vehicle Weight Rating, Pusher 2	3629 kg (8,000 lb)
Gross Vehicle Weight Rating, Tag	3629 kg (8,000 lb)
Wheelbase (WB)	744 cm (293 in)

Cab to Axle/Cab to Trunnion (CA/CT)	508 cm (200 in)
Frame Strength	785 MPa (110,000 PSI):
Frame Section Modulus (SM); front axle to end of AF	327 cm <sup>3</sup> (20 in <sup>3</sup> )
Stability Weight, Front	5341 kg (11,775 lb)*
Stability Weight, Rear	6031 kg (13,295 lb)*
*NOTE: Estimated axles scale weights prior to installation of crane assembly for 85% stability.	

# Dimensions



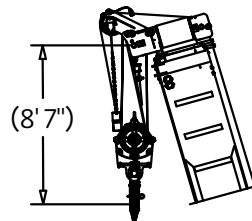
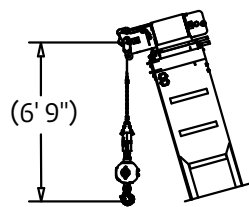
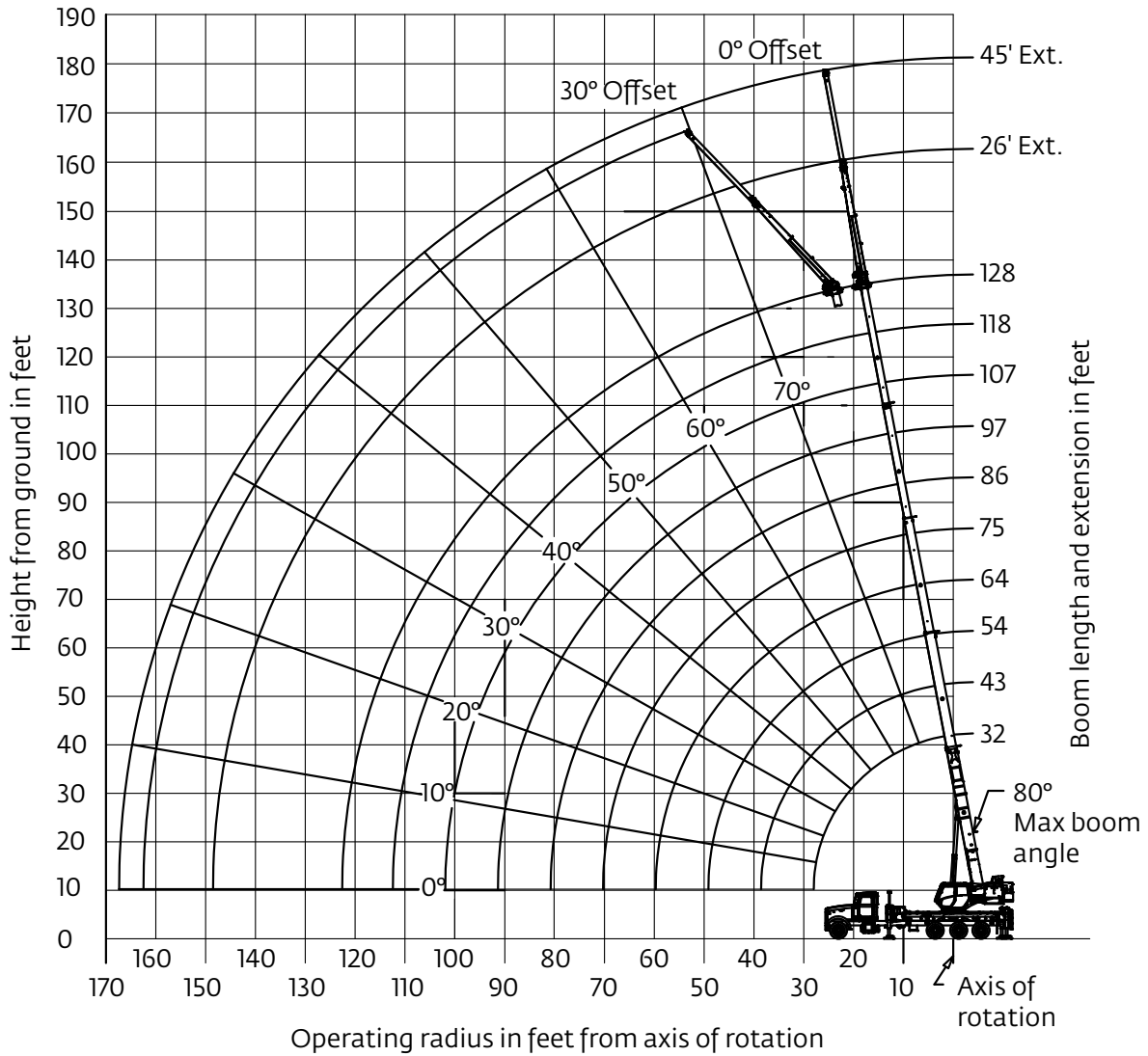
# Dimensions



# Working range

**NBT60: 39,0 m (128 ft boom) with 7,9 m - 13,7 m (26 ft - 45 ft) extension (heavy lift)**

(Boom deflection not shown)



Dimensions are for largest furnished hook block and headache ball with anti-two block activated.

\*This drawing shows the physical reach of the machine. Always refer to the load chart to see which portions of this diagram are valid for the specific machine configuration and where the loads are structurally or stability limited.

*THIS CHART IS ONLY A GUIDE AND SHOULD NOT BE USED TO OPERATE THE CRANE.*

*The individual crane's load chart, operating instructions and other instructional plates must be read and understood prior to operating the crane.*

# Load chart

**NBT60: 39,01 m (128 ft) boom, 2722 kg (6000 lb) countweight, 360°, outriggers 100% extended, (heavy lift)**

Radius in feet	#0001									
	Main boom length in feet									
	31.7	43-A	54-B	64-C	75-D	86-E	97-F	107-G	118-H	128
8	120,000 (68.1)									
10	94,150 (64.0)	50,000 (71.4)								
12	82,850 (59.8)	50,000 (68.5)	50,000 (73.3)	49,550 (76.4)						
15	69,750 (53.1)	50,000 (64.1)	50,000 (70.0)	46,500 (73.6)	39,300 (76.4)	27,200 (78.3)				
20	53,150 (40.3)	50,000 (56.2)	47,950 (64.2)	41,500 (68.8)	34,100 (72.5)	25,200 (75.0)	21,000 (77.2)			
25	36,400 (21.8)	43,800 (47.6)	43,450 (58.0)	37,150 (63.9)	30,100 (68.4)	22,650 (71.6)	19,400 (74.2)	16,900 (76.2)	13,350 (77.8)	
30		35,400 (37.4)	36,600 (51.3)	33,600 (58.7)	27,100 (64.2)	20,400 (68.0)	17,800 (71.2)	15,750 (73.5)	13,350 (75.6)	9600 (76.9)
35		26,350 (23.6)	29,700 (43.9)	30,100 (53.2)	24,600 (59.8)	18,500 (64.3)	16,300 (68.0)	14,700 (70.8)	12,900 (73.2)	9600 (74.9)
40			23,300 (35.3)	23,650 (47.1)	22,750 (55.2)	17,050 (60.5)	15,100 (64.8)	13,650 (68.0)	12,050 (70.8)	9600 (72.8)
45			18,800 (24.0)	19,150 (40.3)	19,450 (50.2)	15,800 (56.5)	14,000 (61.5)	12,550 (65.0)	11,300 (68.2)	9600 (70.6)
50				15,800 (32.5)	16,100 (44.7)	14,600 (52.4)	12,850 (58.0)	11,750 (62.0)	10,650 (65.9)	9600 (68.4)
55				13,250 (22.2)	13,500 (38.7)	13,650 (47.9)	12,000 (54.4)	10,950 (59.2)	10,000 (63.2)	8750 (66.0)
60					11,450 (31.7)	11,650 (43.0)	11,250 (50.9)	10,300 (56.0)	9400 (60.4)	7850 (63.4)
65					9900 (23.9)	10,100 (38.1)	10,300 (46.8)	9700 (52.6)	8850 (57.5)	7000 (60.7)
70					*7150 (9.4)	8700 (31.9)	8900 (42.3)	9050 (49.0)	8400 (54.5)	6300 (57.9)
75						7550 (24.4)	7700 (37.4)	7850 (45.0)	7950 (51.3)	5700 (55.1)
80						6500 (13.0)	6700 (31.7)	6800 (40.7)	6950 (47.8)	5150 (52.1)
85							5800 (25.0)	5950 (36.0)	6050 (44.1)	4650 (49.0)
90							5050 (15.5)	5200 (30.7)	5300 (40.1)	4150 (45.7)
95								4500 (24.2)	4600 (35.7)	3700 (42.2)
100								3900 (15.2)	4000 (30.8)	3300 (38.4)
105									3500 (24.9)	3000 (34.3)
110									3000 (17.0)	2650 (29.6)
115										1900 (23.8)
120										1100 (15.9)
Minimum boom angle (°) for indicated length (no load)									3	11
Maximum boom length (ft) at 0° boom angle (no load)									107	

NOTE: ( ) Boom angles are in degrees.

\*Loads are structurally limited.

#LMI operating code. Refer to LMI manual for operating instructions.

Lifting capacities at zero degree boom angle										
Boom angle	Main boom length in feet									
	31.7	43-A	54-B	64-C	75-D	86-E	97-F	107-G		
0°	17,950 (27.5)	10,000 (38.8)	6850 (49.8)	6100 (59.8)	4250 (70.8)	2850 (81.8)	1750 (92.8)	800 (102.8)		

NOTE: ( ) Reference radii in feet.

80059325

THIS CHART IS ONLY A GUIDE AND SHOULD NOT BE USED TO OPERATE THE CRANE.

# Load chart

**NBT60: 39,01 m (128 ft) boom, 2722 kg (6000 lb) countweight, over rear, outriggers 100% extended, (heavy lift)**

Radius in feet	#0003									
	Main boom length in feet									
	31.7	43-A	54-B	64-C	75-D	86-E	97-F	107-G	118-H	128
8	120,000 (68.1)									
10	94,150 (64.0)	50,000 (71.4)								
12	82,850 (59.8)	50,000 (68.5)	50,000 (73.3)	49,550 (76.4)						
15	69,750 (53.1)	50,000 (64.1)	50,000 (70.0)	46,500 (73.6)	39,300 (76.4)	27,200 (78.3)				
20	53,150 (40.3)	50,000 (56.2)	47,950 (64.2)	41,500 (68.8)	34,100 (72.5)	25,200 (75.0)	21,000 (77.2)			
25	36,400 (21.8)	43,800 (47.6)	43,450 (58.0)	37,150 (63.9)	30,100 (68.4)	22,650 (71.6)	19,400 (74.2)	16,900 (76.2)	13,350 (77.8)	
30		35,400 (37.4)	36,600 (51.3)	33,600 (58.7)	27,100 (64.2)	20,400 (68.0)	17,800 (71.2)	15,750 (73.5)	13,350 (75.6)	9600 (76.9)
35		26,350 (23.6)	30,950 (43.9)	30,900 (53.2)	24,600 (59.8)	18,500 (64.3)	16,300 (68.0)	14,700 (70.8)	12,900 (73.2)	9600 (74.9)
40			25,700 (35.3)	26,900 (47.1)	22,750 (55.2)	17,050 (60.5)	15,100 (64.8)	13,650 (68.0)	12,050 (70.8)	9600 (72.8)
45			19,950 (24.1)	22,550 (40.4)	21,200 (50.3)	15,800 (56.5)	14,000 (61.5)	12,550 (65.0)	11,300 (68.2)	9600 (70.6)
50				18,950 (32.6)	19,250 (44.9)	14,600 (52.4)	12,850 (58.0)	11,750 (62.0)	10,650 (65.9)	9600 (68.4)
55				*15,100 (22.3)	16,400 (38.9)	13,650 (47.9)	12,000 (54.4)	10,950 (59.2)	10,000 (63.2)	8750 (66.0)
60					14,100 (31.9)	12,750 (43.1)	11,250 (50.9)	10,300 (56.0)	9400 (60.4)	7850 (63.4)
65					*12,200 (24.0)	12,000 (37.7)	10,600 (46.8)	9700 (52.6)	8850 (57.5)	7000 (60.7)
70					*7150 (9.4)	11,000 (32.2)	10,050 (42.5)	9200 (49.0)	8400 (54.5)	6300 (57.9)
75						9650 (24.6)	9550 (37.6)	8700 (45.2)	7950 (51.3)	5700 (55.1)
80						*6700 (13.1)	8700 (32.1)	8300 (41.0)	7600 (48.0)	5150 (52.1)
85							7700 (25.3)	7850 (36.5)	7250 (44.5)	4650 (49.0)
90							*5950 (15.6)	6950 (31.1)	6950 (40.5)	4150 (45.7)
95								6200 (24.7)	6300 (36.3)	3700 (42.2)
100								*4750 (15.4)	5650 (31.4)	3300 (38.4)
105									5000 (25.5)	3000 (34.3)
110									*4200 (17.3)	2650 (29.6)
115										1900 (23.8)
120										1100 (15.9)
Minimum boom angle (°) for indicated length (no load)									3	11
Maximum boom length (ft.) at 0° boom angle (no load)									107	

NOTE: ( ) Boom angles are in degrees.

\*Loads are structurally limited.

#LMI operating code. Refer to LMI manual for operating instructions.

Lifting capacities at zero degree boom angle										
Boom angle	Main boom length in feet									
	31.7	43-A	54-B	64-C	75-D	86-E	97-F	107-G		
0°	17,950 (27.5)	10,000 (38.8)	6850 (49.8)	6100 (59.8)	4250 (70.8)	2850 (81.8)	1750 (92.8)	800 (102.8)		

NOTE: ( ) Reference radii in feet.

80059329

# Load chart

**NBT60: 7,9 m (26 ft) fixed and 7,9 m - 13,7 m (26 ft - 45 ft) offsettable extension, 2722 kg (6000 lb) counterweight, 360°, outriggers 100% extended, (heavy lift)**

Radius in feet	26 ft LENGTH		45 ft LENGTH	
	#0005	#0007	#0009	#0011
	0° OFFSET	30° OFFSET	0° OFFSET	30° OFFSET
35	5200 (76.9)			
40	5200 (75.3)		3700 (77.3)	
45	5200 (73.6)		3700 (75.8)	
50	5200 (71.9)	4800 (77.4)	3700 (74.4)	
55	5200 (70.1)	4800 (75.6)	3700 (72.9)	
60	5200 (68.4)	4800 (73.7)	3700 (71.4)	
65	5200 (66.7)	4800 (71.7)	3700 (69.9)	2500 (77.0)
70	4850 (64.7)	4650 (69.7)	3700 (68.4)	2500 (75.2)
75	4500 (62.6)	4400 (67.5)	3700 (66.9)	2500 (73.5)
80	4250 (60.5)	4150 (65.2)	3700 (65.4)	2500 (71.7)
85	3950 (58.3)	4000 (62.9)	3700 (63.8)	2500 (69.8)
90	3800 (56.1)	3800 (60.5)	3550 (61.9)	2500 (67.9)
95	3650 (53.8)	3650 (58.1)	3250 (59.9)	2500 (65.9)
100	3150 (51.2)	3350 (55.4)	3000 (57.8)	2500 (63.9)
105	2600 (48.4)	2900 (52.5)	2700 (55.6)	2450 (61.7)
110	2100 (45.5)	2550 (49.5)	2500 (53.5)	2400 (59.5)
115	1700 (42.5)	2150 (46.3)	2,300 (51.2)	2350 (57.1)
120	1350 (39.3)	1650 (42.7)	2050 (48.7)	2300 (54.7)
125	950 (35.8)	1200 (38.9)	1750 (46.0)	2250 (52.1)
130	650 (32.1)	850 (34.8)	1500 (43.3)	2000 (49.1)
135		450 (30)	1200 (40.4)	1750 (45.9)
140			900 (37.2)	1350 (42.3)
145			650 (33.9)	900 (38.2)
150				600 (33.9)
Min. boom angle for indicated length (no load)	29°	30°	30°	31°
Max. boom length at 0° boom angle (no load)	64 ft		64 ft	

NOTE: ( ) Boom angles are in degrees. 80059337

#LMI operating code. Refer to LMI manual for instructions.

\*Loads are structurally limited.

\*\*26 ft capacities are applicable to both 26 ft fixed and 26 ft tele extension.

## BOOM EXTENSION CAPACITY NOTES:

1. All capacities above the bold line are based on structural strength limitations.
2. 26 ft and 45 ft extension lengths may be used for single line lifting service.
3. Radii listed are for a fully extended boom with the boom extension erected. For main boom lengths less than fully extended, the rated loads are determined by boom angle. Use only the column which corresponds to the boom extension length and offset for which the machine is configured. For boom angles not shown, use the rating of the next lower boom angle.  
  
WARNING: Operation of this machine with heavier loads than the capacities listed is strictly prohibited. Machine tipping with boom extension occurs rapidly and without advance warning.
4. Boom angle is the angle above or below horizontal of the longitudinal axis of the boom base section after lifting rated load.
5. Capacities listed are with outriggers properly extended and vertical jacks set only.

# Load chart

**NBT60: 7,9 m (26 ft) fixed and 7,9 m - 13,7 m (26 ft - 45 ft) offsettable extension, 2722 kg (6000 lb) counterweight, over rear, outriggers 100% extended, (heavy lift)**

Radius in feet	26 ft LENGTH		45 ft LENGTH	
	#0006	#0008	#0010	#0012
	0° OFFSET	30° OFFSET	0° OFFSET	30° OFFSET
35	5200 (76.9)			
40	5200 (75.3)		3700 (77.3)	
45	5200 (73.6)		3700 (75.8)	
50	5200 (71.9)	4800 (77.4)	3700 (74.4)	
55	5200 (70.1)	4800 (75.6)	3700 (72.9)	
60	5200 (68.4)	4800 (73.7)	3700 (71.4)	
65	5200 (66.7)	4800 (71.7)	3700 (69.9)	2500 (77.0)
70	4850 (64.7)	4650 (69.7)	3700 (68.4)	2500 (75.2)
75	4500 (62.6)	4400 (67.5)	3700 (66.9)	2500 (73.5)
80	4250 (60.5)	4150 (65.2)	3700 (65.4)	2500 (71.7)
85	3950 (58.3)	4000 (62.9)	3700 (63.8)	2500 (69.8)
90	3800 (56.1)	3800 (60.5)	3550 (61.9)	2500 (67.9)
95	3,650 (53.8)	3650 (58.1)	3250 (59.9)	2500 (65.9)
100	3150 (51.2)	3350 (55.4)	3000 (57.8)	2500 (63.9)
105	2600 (48.4)	2900 (52.5)	2700 (55.6)	2450 (61.7)
110	2100 (45.5)	2550 (49.5)	2500 (53.5)	2,400 (59.5)
115	1700 (42.5)	2150 (46.3)	2300 (51.2)	2350 (57.1)
120	1350 (39.3)	1650 (42.7)	2050 (48.7)	2300 (54.7)
125	950 (35.8)	1200 (38.9)	1750 (46.0)	2250 (52.1)
130	650 (32.1)	850 (34.8)	1500 (43.3)	2000 (49.1)
135		450 (30)	1200 (40.4)	1750 (45.9)
140			900 (37.2)	1350 (42.3)
145			650 (33.9)	900 (38.2)
150				600 (33.9)
Min. boom angle for indicated length (no load)	29°	30°	30°	31°
Max. boom length at 0° boom angle (no load)	64 ft		64 ft	

NOTE: ( ) Boom angles are in degrees. 80059338

#LMI operating code. Refer to LMI manual for instructions.

\*Loads are structurally limited.

\*\*26 ft capacities are applicable to both 26 ft fixed and 26 ft tele extension.

## BOOM EXTENSION CAPACITY NOTES:

1. All capacities above the bold line are based on structural strength limitations.
2. 26 ft and 45 ft extension lengths may be used for single line lifting service.
3. Radii listed are for a fully extended boom with the boom extension erected. For main boom lengths less than fully extended, the rated loads are determined by boom angle. Use only the column which corresponds to the boom extension length and offset for which the machine is configured. For boom angles not shown, use the rating of the next lower boom angle.  
  
WARNING: Operation of this machine with heavier loads than the capacities listed is strictly prohibited. Machine tipping with boom extension occurs rapidly and without advance warning.
4. Boom angle is the angle above or below horizontal of the longitudinal axis of the boom base section after lifting rated load.
5. Capacities listed are with outriggers properly extended and vertical jacks set only.



# Load chart

**NBT60: 39,01 m (128 ft) boom, 2722 kg (6000 lb) counterweight, 360°, outriggers 50% extended, (heavy lift)**

Radius in feet	#0401									
	Main boom length in feet									
	31.7	43-A	54-B	64-C	75-D	86-E	97-F	107-G	118-H	128
8	120,000 (68.1)									
10	94,150 (64.0)	50,000 (71.4)								
12	82,850 (59.8)	50,000 (68.5)	50,000 (73.3)	49,550 (76.4)						
15	69,750 (53.1)	50,000 (64.1)	50,000 (70.0)	46,500 (73.6)	39,300 (76.4)	27,200 (78.3)				
20	38,200 (40.2)	39,350 (56.2)	40,000 (64.1)	40,450 (68.8)	34,100 (72.5)	25,200 (75.0)	21,000 (77.2)			
25	24,800 (21.8)	25,900 (47.5)	26,450 (57.8)	26,750 (63.7)	27,100 (68.3)	22,650 (71.6)	19,400 (74.2)	16,900 (76.2)	13,350 (77.8)	
30		18,450 (37.3)	19,000 (51.1)	19,300 (58.4)	19,600 (63.9)	19,850 (67.9)	17,800 (71.2)	15,750 (73.5)	13,350 (75.6)	9600 (76.9)
35		13,750 (23.6)	14,300 (43.7)	14,600 (52.8)	14,850 (59.4)	15,100 (64.1)	15,350 (67.9)	14,700 (70.8)	12,900 (73.2)	9600 (74.9)
40			11,050 (36.0)	11,350 (46.7)	11,600 (54.6)	11,750 (60.2)	12,000 (64.5)	12,200 (67.8)	12,050 (70.8)	9600 (72.8)
45			8650 (25.2)	8950 (40.7)	9150 (50.1)	9350 (56.5)	9550 (61.3)	9700 (64.9)	9900 (68.2)	9600 (70.6)
50				7200 (33.0)	7450 (44.8)	7650 (52.2)	7800 (57.7)	7950 (61.7)	8100 (65.3)	8300 (68.1)
55				5750 (23.2)	6000 (38.9)	6150 (47.7)	6300 (54.0)	6450 (58.4)	6600 (62.4)	6750 (65.4)
60					4800 (32.1)	5000 (42.9)	5150 (50.1)	5250 (55.0)	5400 (59.4)	5500 (62.6)
65					3850 (23.6)	4000 (37.5)	4150 (45.9)	4250 (51.5)	4400 (56.3)	4500 (59.9)
70					3000 (9.2)	3200 (31.4)	3300 (41.4)	3450 (47.8)	3550 (53.1)	3650 (57.0)
75						2500 (23.9)	2600 (36.5)	2700 (43.8)	2800 (49.8)	2900 (54.1)
80							1850 (12.6)	2000 (30.9)	2100 (39.6)	2300 (51.0)
85								1500 (24.2)	1600 (34.9)	1750 (47.9)
90								1000 (14.8)	1100 (29.6)	1250 (44.5)
95								700 (23.3)	800 (34.4)	850 (41.0)
Minimum boom angle (°) for indicated length (no load)								17	30	37
Maximum boom length (ft) at 0° boom angle (no load)								97		

NOTE: ( ) Boom angles are in degrees.

#LMI operating code. Refer to LMI manual for operating instructions.

Lifting capacities at zero degree boom angle										
Boom angle	Main boom length in feet									
	31.7	43-A	54-B	64-C	75-D	86-E	97-F			
0°	17,950 (27.5)	10,000 (38.8)	6850 (49.8)	4600 (59.8)	2850 (70.8)	1650 (81.8)	750 (92.8)			

NOTE: ( ) Reference radii in feet.

80059331

# Load chart

**NBT60: 7,9 m (26 ft) fixed and 7,9 m - 13,7 m (26 ft - 45 ft) offsettable extension, 2722 kg (6000 lb) counterweight, 360°, outriggers 50% extended, (heavy lift)**

Radius in feet	**26 ft LENGTH		45 ft LENGTH	
	#0405	#0407	#0409	#0411
	0° OFFSET	30° OFFSET	0° OFFSET	30° OFFSET
35	5200 (76.9)			
40	5200 (75.3)		3700 (77.3)	
45	5200 (73.6)		3700 (75.8)	
50	5200 (71.9)	4800 (77.4)	3700 (74.4)	
55	5200 (70.1)	4800 (75.6)	3700 (72.9)	
60	5200 (68.4)	4800 (73.7)	3700 (71.4)	
65	4300 (66.1)	4800 (71.7)	3700 (69.9)	2500 (77.0)
70	3450 (63.8)	4550 (69.5)	3700 (68.4)	2500 (75.2)
75	2650 (61.5)	3600 (66.8)	3700 (66.9)	2500 (73.5)
80	2000 (59.1)	2800 (64.2)	3050 (64.5)	2500 (71.7)
85	1450 (56.7)	2150 (61.5)	2400 (62.3)	2500 (69.8)
90	950 (54.2)	1550 (58.8)	1850 (60.1)	2500 (67.9)
95	550 (51.7)	1050 (56.1)	1400 (57.8)	2400 (65.7)
100		600 (53.2)	950 (55.5)	1900 (63.1)
105			600 (53.2)	1400 (60.4)
110				1000 (57.8)
115				600 (55.1)
Min. boom angle for indicated length (no load)	51°	53°	53°	55°
Max. boom length at 0° boom angle (no load)	64 ft		64 ft	

NOTE: ( ) Boom angles are in degrees. 80059339

#LMI operating code. Refer to LMI manual for instructions.

\*Loads are structurally limited.

\*\*26 ft capacities are applicable to both 26 ft fixed and 26 ft tele extension.

## BOOM EXTENSION CAPACITY

### NOTES:

1. All capacities above the bold line are based on structural strength limitations.
2. 26ft and 45ft extension lengths may be used for single line lifting service.
3. Radii listed are for a fully extended boom with the boom extension erected. For main boom lengths less than fully extended, the rated loads are determined by boom angle. Use only the column which corresponds to the boom extension length and offset for which the machine is configured. For boom angles not shown, use the rating of the next lower boom angle.

**WARNING:** Operation of this machine with heavier loads than the capacities listed is strictly prohibited. Machine tipping with boom extension occurs rapidly and without advance warning.

4. Boom angle is the angle above or below horizontal of the longitudinal axis of the boom base section after lifting rated load.
5. Capacities listed are with outriggers properly extended and vertical jacks set only.

# Load chart

**NBT60: 39,01 m (128 ft) boom, 2722 kg (6000 lb) counterweight, 360°, outriggers 0% extended, (heavy lift)**

Radius in feet	#0801									
	Main boom length in feet									
	31.7	43-A	54-B	64-C	75-D	86-E	97-F	107-G	118-H	128
8	75,400 (68.1)									
10	48,300 (64.0)	49,550 (71.4)								
12	34,600 (59.8)	35,650 (68.4)	36,250 (73.2)	36,750 (76.2)						
15	23,300 (53.1)	24,250 (64.0)	24,750 (69.8)	25,150 (73.3)	25,500 (76.1)	25,850 (78.3)				
20	13,750 (40.2)	14,600 (56.1)	15,100 (63.8)	15,400 (68.4)	15,650 (71.9)	15,900 (74.6)	16,200 (76.9)			
25	8650 (24.2)	9550 (48.3)	10,000 (58.3)	10,250 (63.8)	10,500 (68.1)	10,650 (71.3)	10,850 (73.9)	11,100 (75.9)	11,300 (77.5)	
30		6550 (38.3)	6950 (51.6)	7250 (58.6)	7450 (63.9)	7600 (67.6)	7800 (70.7)	7950 (72.9)	8100 (75.0)	8300 (76.7)
35		4350 (25.2)	4800 (44.3)	5050 (53.1)	5250 (59.4)	5400 (63.9)	5550 (67.4)	5700 (69.9)	5850 (72.3)	5950 (74.1)
40			3200 (35.9)	3500 (47.2)	3650 (54.8)	3800 (60.0)	3950 (64.0)	4050 (66.9)	4200 (69.6)	4300 (71.6)
45			2000 (25.1)	2300 (40.5)	2450 (49.8)	2600 (56.0)	2750 (60.6)	2850 (63.9)	2950 (66.8)	3000 (69.0)
50				1350 (32.9)	1550 (44.5)	1650 (51.8)	1800 (57.0)	1850 (60.7)	1950 (64.0)	2050 (66.5)
55				550 (23.0)	800 (38.6)	900 (47.3)	1000 (53.3)	1100 (57.5)	1200 (61.1)	1250 (63.8)
60									550 (58.2)	600 (61.2)
Minimum boom angle (°) for indicated length (no load)				20	35	44	50	54	58	61
Maximum boom length (ft) at 0° boom angle (no load)				54						

NOTE: ( ) Boom angles are in degrees.

#LMI operating code. Refer to LMI manual for operating instructions.

Lifting capacities at zero degree boom angle										
Boom angle	Main boom length in feet									
	31.7	43-A	54-B							
0°	7300 (27.5)	3000 (38.8)	1050 (49.8)							

NOTE: ( ) Reference radii in feet.

80059335

# Load chart

**NBT60: 39,01 m (128 ft) boom, 1361 kg (3000 lb) counterweight, 360°, outriggers 100% extended, (heavy lift)**

Radius in feet	#1001									
	Main boom length in feet									
	31.7	43-A	54-B	64-C	75-D	86-E	97-F	107-G	118-H	128
8	120,000 (68.1)									
10	94,150 (64.0)	50,000 (71.4)								
12	82,850 (59.8)	50,000 (68.5)	50,000 (73.3)	49,550 (76.4)						
15	69,750 (53.1)	50,000 (64.1)	50,000 (70.0)	46,500 (73.6)	39,300 (76.4)	27,200 (78.3)				
20	53,150 (40.3)	50,000 (56.2)	47,950 (64.2)	41,500 (68.8)	34,100 (72.5)	25,200 (75.0)	21,000 (77.2)			
25	36,400 (21.8)	43,800 (47.6)	43,450 (58.0)	37,150 (63.9)	30,100 (68.4)	22,650 (71.6)	19,400 (74.2)	16,900 (76.2)	13,350 (77.8)	
30		35,400 (37.4)	36,600 (51.3)	33,600 (58.7)	27,100 (64.2)	20,400 (68.0)	17,800 (71.2)	15,750 (73.5)	13,350 (75.6)	9600 (76.9)
35		26,350 (23.6)	27,300 (43.9)	27,700 (53.1)	24,600 (59.8)	18,500 (64.3)	16,300 (68.0)	14,700 (70.8)	12,900 (73.2)	9600 (74.9)
40			21,350 (35.2)	21,700 (47.0)	22,000 (55.1)	17,050 (60.5)	15,100 (64.8)	13,650 (68.0)	12,050 (70.8)	9600 (72.8)
45			17,150 (24.0)	17,500 (40.3)	17,750 (50.1)	15,800 (56.5)	14,000 (61.5)	12,550 (65.0)	11,300 (68.2)	9600 (70.6)
50				14,350 (32.4)	14,650 (44.6)	14,600 (52.4)	12,850 (58.0)	11,750 (62.0)	10,650 (65.9)	9600 (68.4)
55				11,950 (22.2)	12,200 (38.6)	12,400 (47.8)	12,000 (54.4)	10,950 (59.2)	10,000 (63.2)	8750 (66.0)
60					10,400 (32.4)	10,600 (43.4)	10,800 (50.8)	10,300 (56.0)	9400 (60.4)	7850 (63.4)
65					8850 (23.9)	9050 (38.0)	9250 (46.6)	9400 (52.5)	8850 (57.5)	7000 (60.7)
70					<sup>a</sup> 7150 (9.4)	7750 (31.8)	7900 (42.1)	8050 (48.8)	8200 (54.4)	6300 (57.9)
75						6650 (24.3)	6800 (37.2)	6950 (44.8)	7100 (51.1)	5700 (55.1)
80						5700 (13.0)	5900 (31.6)	6000 (40.5)	6150 (47.6)	5150 (52.1)
85							5050 (24.9)	5200 (35.8)	5300 (43.8)	4650 (49.0)
90							4350 (15.4)	4450 (30.5)	4600 (39.9)	4150 (45.7)
95								3850 (24.1)	3950 (35.5)	3700 (42.2)
100								3250 (15.0)	3400 (30.6)	3300 (38.4)
105									2900 (24.7)	2950 (34.3)
110									2400 (16.8)	2500 (29.5)
115										<sup>a</sup> 1900 (23.8)
120										<sup>a</sup> 1100 (15.9)
Minimum boom angle (°) for indicated length (no load)									3	11
Maximum boom length (ft) at 0° boom angle (no load)									107	

NOTE: ( ) Boom angles are in degrees.

<sup>a</sup>Loads are structurally limited.

#LMI operating code. Refer to LMI manual for operating instructions.

Boom angle	Lifting capacities at zero degree boom angle									
	Main boom length in feet									
	31.7	43-A	54-B	64-C	75-D	86-E	97-F	107-G		
0°	17,950 (27.5)	10,000 (38.8)	6850 (49.8)	6100 (59.8)	4250 (70.8)	2850 (81.8)	1750 (92.8)	800 (102.8)		

NOTE: ( ) Reference radii in feet.

80059340

# Load chart

**NBT60: 39,01 m (128 ft) boom, 1361 kg (3000 lb) counterweight, over rear, outriggers 100% extended, (heavy lift)**

Radius in feet	#1003									
	Main boom length in feet									
	31.7	43-A	54-B	64-C	75-D	86-E	97-F	107-G	118-H	128
8	120,000 (68.1)									
10	94,150 (64.0)	50,000 (71.4)								
12	82,850 (59.8)	50,000 (68.5)	50,000 (73.3)	49,550 (76.4)						
15	69,750 (53.1)	50,000 (64.1)	50,000 (70.0)	46,500 (73.6)	39,300 (76.4)	27,200 (78.3)				
20	53,150 (40.3)	50,000 (56.2)	47,950 (64.2)	41,500 (68.8)	34,100 (72.5)	25,200 (75.0)	21,000 (77.2)			
25	36,400 (21.8)	43,800 (47.6)	43,450 (58.0)	37,150 (63.9)	30,100 (68.4)	22,650 (71.6)	19,400 (74.2)	16,900 (76.2)	13,350 (77.8)	
30		35,400 (37.4)	36,600 (51.3)	33,600 (58.7)	27,100 (64.2)	20,400 (68.0)	17,800 (71.2)	15,750 (73.5)	13,350 (75.6)	9600 (76.9)
35		26,350 (23.6)	30,950 (43.9)	30,900 (53.2)	24,600 (59.8)	18,500 (64.3)	16,300 (68.0)	14,700 (70.8)	12,900 (73.2)	9600 (74.9)
40			25,150 (35.3)	25,500 (47.1)	22,750 (55.2)	17,050 (60.5)	15,100 (64.8)	13,650 (68.0)	12,050 (70.8)	9600 (72.8)
45			*19,950 (24.1)	20,950 (40.4)	21,200 (50.3)	15,800 (56.5)	14,000 (61.5)	12,550 (65.0)	11,300 (68.2)	9600 (70.6)
50				17,550 (32.5)	17,800 (44.8)	14,600 (52.4)	12,850 (58.0)	11,750 (62.0)	10,650 (65.9)	9600 (68.4)
55				14,850 (22.3)	15,100 (38.8)	13,650 (47.9)	12,000 (54.4)	10,950 (59.2)	10,000 (63.2)	8750 (66.0)
60					13,000 (31.8)	12,750 (43.1)	11,250 (50.9)	10,300 (56.0)	9400 (60.4)	7850 (63.4)
65					11,200 (24.0)	11,400 (37.7)	10,600 (46.8)	9700 (52.6)	8850 (57.5)	7000 (60.7)
70					*7150 (9.4)	10,050 (32.1)	10,050 (42.5)	9200 (49.0)	8400 (54.5)	6300 (57.9)
75						8800 (24.5)	8950 (37.6)	8700 (45.2)	7950 (51.3)	5700 (55.1)
80						*6700 (13.1)	7900 (31.9)	8000 (41.0)	7600 (48.0)	5150 (52.1)
85							6950 (25.2)	7100 (36.3)	7200 (44.5)	4650 (49.0)
90							*5950 (15.6)	6250 (30.9)	6400 (40.5)	4150 (45.7)
95								5550 (24.5)	5650 (36.1)	3700 (42.2)
100								*4750 (15.4)	5000 (31.1)	3300 (38.4)
105									4400 (25.2)	3000 (34.3)
110									3900 (17.3)	2650 (29.6)
115										1900 (23.8)
120										1100 (15.9)
Minimum boom angle (°) for indicated length (no load)									3	11
Maximum boom length (ft) at 0° boom angle (no load)									107	

NOTE: ( ) Boom angles are in degrees.

\*Loads are structurally limited.

#LMI operating code. Refer to LMI manual for operating instructions.

Lifting capacities at zero degree boom angle										
Boom angle	Main boom length in feet									
	31.7	43-A	54-B	64-C	75-D	86-E	97-F	107-G		
0°	17,950 (27.5)	10,000 (38.8)	6850 (49.8)	6100 (59.8)	4250 (70.8)	2850 (81.8)	1750 (92.8)	800 (102.8)		

NOTE: ( ) Reference radii in feet.

80059344

# Load chart

**NBT60: 7,9 m (26 ft) fixed and 7,9 m - 13,7 m (26 ft - 45 ft) offsettable extension, 1361 kg (3000 lb) counterweight, 360°, outriggers 100% extended, (heavy lift)**

Radius in feet	**26 ft LENGTH		45 ft LENGTH	
	#1005	#1007	#1009	#1011
	0° OFFSET	30° OFFSET	0° OFFSET	30° OFFSET
35	5200 (76.9)			
40	5200 (75.3)		3700 (77.3)	
45	5200 (73.6)		3700 (75.8)	
50	5200 (71.9)	4800 (77.4)	3700 (74.4)	
55	5200 (70.1)	4800 (75.6)	3700 (72.9)	
60	5200 (68.4)	4800 (73.7)	3700 (71.4)	
65	5200 (66.7)	4800 (71.7)	3700 (69.9)	2500 (77.0)
70	4850 (64.7)	4650 (69.7)	3700 (68.4)	2500 (75.2)
75	4500 (62.6)	4400 (67.5)	3700 (66.9)	2500 (73.5)
80	4250 (60.5)	4150 (65.2)	3700 (65.4)	2500 (71.7)
85	3950 (58.3)	4000 (62.9)	3700 (63.8)	2500 (69.8)
90	3800 (56.1)	3800 (60.5)	3550 (61.9)	2500 (67.9)
95	3650 (53.8)	3650 (58.1)	3250 (59.9)	2500 (65.9)
100	3150 (51.2)	3350 (55.4)	3000 (57.8)	2500 (63.9)
105	2600 (48.4)	2900 (52.5)	2700 (55.6)	2450 (61.7)
110	2100 (45.5)	2550 (49.5)	2500 (53.5)	2400 (59.5)
115	1700 (42.5)	2150 (46.3)	2300 (51.2)	2350 (57.1)
120	1350 (39.3)	1650 (42.7)	2050 (48.7)	2300 (54.7)
125	950 (35.8)	1200 (38.9)	1750 (46.0)	2250 (52.1)
130	650 (32.1)	850 (34.8)	1500 (43.3)	2000 (49.1)
135		450 (30)	1200 (40.4)	1700 (45.6)
140			900 (37.2)	*1350 (42.3)
145			650 (33.9)	*900 (38.2)
150				*600 (33.9)
Min. boom angle for indicated length (no load)	29°	30°	30°	31°
Max. boom length at 0° boom angle (no load)	64 ft		64 ft	

NOTE: ( ) Boom angles are in degrees. 80059352  
 \*Loads are structurally limited.

#LMI operating code. Refer to LMI manual for instructions.  
 \*\*26 ft capacities are applicable to both 26 ft fixed and 26 ft tele extension.

## BOOM EXTENSION CAPACITY NOTES:

1. All capacities above the bold line are based on structural strength limitations.
2. 26 ft and 45 ft extension lengths may be used for single line lifting service.
3. Radii listed are for a fully extended boom with the boom extension erected. For main boom lengths less than fully extended, the rated loads are determined by boom angle. Use only the column which corresponds to the boom extension length and offset for which the machine is configured. For boom angles not shown, use the rating of the next lower boom angle.  
  
 WARNING: Operation of this machine with heavier loads than the capacities listed is strictly prohibited. Machine tipping with boom extension occurs rapidly and without advance warning.
4. Boom angle is the angle above or below horizontal of the longitudinal axis of the boom base section after lifting rated load.
5. Capacities listed are with outriggers properly extended and vertical jacks set only.

# Load chart

**NBT60: 7,9 m (26 ft) fixed and 7,9 m - 13,7 m (26 ft - 45 ft) offsettable extension, 1361 kg (3000 lb) counterweight, over rear, outriggers 100% extended, (heavy lift)**

Radius in feet	°26 ft LENGTH		45 ft LENGTH	
	#1006	#1008	#1010	#1012
	0° OFFSET	30° OFFSET	0° OFFSET	30° OFFSET
35	5200 (76.9)			
40	5200 (75.3)		3700 (77.3)	
45	5200 (73.6)		3700 (75.8)	
50	5200 (71.9)	4800 (77.4)	3700 (74.4)	
55	5200 (70.1)	4800 (75.6)	3700 (72.9)	
60	5200 (68.4)	4800 (73.7)	3700 (71.4)	
65	5200 (66.7)	4800 (71.7)	3700 (69.9)	2500 (77.0)
70	4850 (64.7)	4650 (69.7)	3700 (68.4)	2500 (75.2)
75	4500 (62.6)	4400 (67.5)	3700 (66.9)	2500 (73.5)
80	4250 (60.5)	4150 (65.2)	3700 (65.4)	2500 (71.7)
85	3950 (58.3)	4000 (62.9)	3700 (63.8)	2500 (69.8)
90	3800 (56.1)	3800 (60.5)	3550 (61.9)	2500 (67.9)
95	3650 (53.8)	3650 (58.1)	3250 (59.9)	2500 (65.9)
100	3150 (51.2)	3350 (55.4)	3000 (57.8)	2500 (63.9)
105	2600 (48.4)	2900 (52.5)	2700 (55.6)	2450 (61.7)
110	2100 (45.5)	2550 (49.5)	2500 (53.5)	2400 (59.5)
115	1700 (42.5)	2150 (46.3)	2300 (51.2)	2350 (57.1)
120	1350 (39.3)	1650 (42.7)	2050 (48.7)	2300 (54.7)
125	950 (35.8)	1200 (38.9)	1750 (46.0)	2250 (52.1)
130	650 (32.1)	850 (34.8)	1500 (43.3)	2000 (49.1)
135		450 (30)	1200 (40.4)	1750 (45.9)
140			900 (37.2)	1350 (42.3)
145			650 (33.9)	900 (38.2)
150				600 (33.9)
Min. boom angle for indicated length (no load)	29°	30°	30°	31°
Max. boom length at 0° boom angle (no load)	64 ft		64 ft	

NOTE: ( ) Boom angles are in degrees. 80059353

#LMI operating code. Refer to LMI manual for instructions.  
°26 ft capacities are applicable to both 26 ft fixed and 26 ft tele extension.

## BOOM EXTENSION CAPACITY NOTES:

1. All capacities above the bold line are based on structural strength limitations
2. 26ft and 45ft extension lengths may be used for single line lifting service.
3. Radii listed are for a fully extended boom with the boom extension erected. For main boom lengths less than fully extended, the rated loads are determined by boom angle. Use only the column which corresponds to the boom extension length and offset for which the machine is configured. For boom angles not shown, use the rating of the next lower boom angle.  
  
WARNING: Operation of this machine with heavier loads than the capacities listed is strictly prohibited. Machine tipping with boom extension occurs rapidly and without advance warning.
4. Boom angle is the angle above or below horizontal of the longitudinal axis of the boom base section after lifting rated load.
5. Capacities listed are with outriggers properly extended and vertical jacks set only.

# Load chart

**NBT60: 39,01 m (128 ft) boom, 1361 kg (3000 lb) counterweight, 360°, outriggers 50% extended, (heavy lift)**

Radius in feet	#1401									
	Main boom length in feet									
	31.7	43-A	54-B	64-C	75-D	86-E	97-F	107-G	118-H	128
8	120,000 (68.1)									
10	94,150 (64.0)	50,000 (71.4)								
12	82,850 (59.8)	50,000 (68.5)	50,000 (73.3)	49,550 (76.4)						
15	64,200 (53.1)	50,000 (64.1)	50,000 (70.0)	46,500 (73.6)	39,300 (76.4)	27,200 (78.3)				
20	34,650 (40.2)	35,750 (56.2)	36,400 (64.1)	36,850 (68.8)	34,100 (72.5)	25,200 (75.0)	21,000 (77.2)			
25	22,250 (21.8)	23,350 (47.5)	23,900 (57.8)	24,300 (63.6)	24,650 (68.2)	22,650 (71.6)	19,400 (74.2)	16,900 (76.2)	13,350 (77.8)	
30		16,550 (37.3)	17,050 (51.1)	17,400 (58.3)	17,600 (63.8)	17,850 (67.8)	17,800 (71.2)	15,750 (73.5)	13,350 (75.6)	9600 (76.9)
35		12,150 (23.6)	12,700 (43.7)	13,000 (52.7)	13,250 (59.3)	13,450 (64.0)	13,700 (67.8)	13,950 (70.7)	12,900 (73.2)	9600 (74.9)
40			9700 (36.0)	10,000 (47.3)	10,200 (55.0)	10,400 (60.4)	10,600 (64.7)	10,800 (67.8)	11,000 (70.8)	9600 (72.8)
45			7600 (25.2)	7900 (40.7)	8150 (50.1)	8300 (56.4)	8350 (61.2)	8500 (64.7)	8650 (67.9)	8850 (70.4)
50				6200 (33.0)	6400 (44.8)	6600 (52.1)	6750 (57.6)	6900 (61.5)	7050 (65.1)	7200 (67.8)
55				4850 (23.2)	5100 (38.8)	5250 (47.6)	5400 (53.9)	5500 (58.2)	5650 (62.1)	5800 (65.1)
60					4000 (32.0)	4150 (42.8)	4300 (49.9)	4400 (54.8)	4550 (59.2)	4650 (62.4)
65					3100 (23.5)	3250 (37.4)	3400 (45.8)	3500 (51.3)	3600 (56.1)	3700 (59.6)
70					2300 (9.1)	2500 (31.3)	2600 (41.3)	2700 (47.6)	2800 (52.9)	2900 (56.7)
75						1850 (23.8)	1950 (36.4)	2050 (43.7)	2150 (49.6)	2250 (53.8)
80						1250 (12.5)	1400 (30.8)	1500 (39.5)	1600 (46.2)	1650 (50.8)
85							900 (24.1)	1000 (34.8)	1100 (42.5)	1150 (47.6)
90							500 (14.7)	600 (29.5)	650 (38.5)	700 (44.3)
Minimum boom angle (°) for indicated length (no load)							14	28	37	42
Maximum boom length (ft) at 0° boom angle (no load)							86			

NOTE: ( ) Boom angles are in degrees.

#LMI operating code. Refer to LMI manual for operating instructions.

Lifting capacities at zero degree boom angle										
Boom angle	Main boom length in feet									
	31.7	43-A	54-B	64-C	75-D	86-E				
0°	17,950 (27.5)	9950 (38.8)	5850 (49.8)	3750 (59.8)	2200 (70.8)	1050 (81.8)				

NOTE: ( ) Reference radii in feet.

80059346



# Load chart

**NBT60: 7,9 m (26 ft) fixed and 7,9 m - 13,7 m (26 ft - 45 ft) offsettable extension, 1361 kg (3000 lb) counterweight, 360°, outriggers 50% extended, (heavy lift)**

Radius in feet	**26 ft LENGTH		45 ft LENGTH	
	#1405	#1407	#1409	#1411
	0° OFFSET	30° OFFSET	0° OFFSET	30° OFFSET
25				
30				
35	5200 (77.1)			
40	5200 (75.5)		3700 (77.3)	
45	5200 (73.8)		3700 (75.8)	
50	5200 (72.2)	4800 (77.4)	3700 (74.4)	
55	5200 (70.5)	4800 (75.6)	3700 (72.9)	
60	4450 (68.0)	4800 (73.7)	3700 (71.4)	
65	3500 (65.8)	4750 (71.6)	3700 (69.9)	2500 (77.0)
70	2650 (63.5)	3750 (69.0)	3700 (68.4)	2500 (75.2)
75	1950 (61.1)	2850 (66.3)	3000 (66.1)	2500 (73.5)
80	1350 (58.8)	2150 (63.7)	2300 (63.9)	2500 (71.7)
85	850 (56.3)	1500 (61.1)	1700 (61.7)	2500 (69.8)
90		1000 (58.4)	1250 (59.6)	2400 (67.7)
95		500 (55.7)	800 (57.3)	1850 (65.1)
100			450 (55.1)	1350 (62.5)
105				900 (59.9)
110				500 (57.3)
Min. boom angle for indicated length (no load)	55°	56°	55°	57°
Max. boom length at 0° boom angle (no load)	64 ft		64 ft	

NOTE: ( ) Boom angles are in degrees. 80059354

#LMI operating code. Refer to LMI manual for instructions.  
\*\*26 ft capacities are applicable to both 26 ft fixed and 26 ft tele extension.

## BOOM EXTENSION CAPACITY NOTES:

1. All capacities above the bold line are based on structural strength limitations.
2. 26ft and 45ft extension lengths may be used for single line lifting service.
3. Radii listed are for a fully extended boom with the boom extension erected. For main boom lengths less than fully extended, the rated loads are determined by boom angle. Use only the column which corresponds to the boom extension length and offset for which the machine is configured. For boom angles not shown, use the rating of the next lower boom angle.

**WARNING:** Operation of this machine with heavier loads than the capacities listed is strictly prohibited. Machine tipping with boom extension occurs rapidly and without advance warning.

4. Boom angle is the angle above or below horizontal of the longitudinal axis of the boom base section after lifting rated load.
5. Capacities listed are with outriggers properly extended and vertical jacks set only

# Load chart

**NBT60: 39,01 m (128 ft) boom, 1361 kg (3000 lb) counterweight, 360°, outriggers 0% extended, (heavy lift)**

Radius in feet	#1801									
	Main boom length in feet									
	31.7	43-A	54-B	64-C	75-D	86-E	97-F	107-G	118-H	128
8	66,700 (68.0)									
10	42,500 (64.0)	43,700 (71.3)								
12	30,200 (59.8)	31,250 (68.4)	31,850 (73.2)	32,300 (76.1)						
15	20,050 (53.1)	21,000 (64.0)	21,550 (69.7)	21,900 (73.2)	22,200 (76.0)	22,550 (78.2)				
20	11,500 (40.2)	12,400 (56.1)	12,850 (63.8)	13,150 (68.3)	13,400 (71.9)	13,650 (74.5)	13,900 (76.7)			
25	7150 (24.2)	8000 (48.3)	8450 (58.2)	8550 (63.8)	8750 (68.1)	8950 (71.2)	9100 (73.8)	9300 (75.7)	9500 (77.5)	
30		5150 (38.3)	5600 (51.6)	5850 (58.6)	6050 (63.8)	6200 (67.6)	6400 (70.5)	6500 (72.8)	6700 (74.8)	6800 (76.4)
35		3200 (25.2)	3650 (44.3)	3900 (53.1)	4100 (59.4)	4250 (63.8)	4400 (67.3)	4500 (69.8)	4600 (72.1)	4750 (73.9)
40			2250 (35.9)	2500 (47.1)	2650 (54.7)	2800 (59.9)	2950 (63.9)	3050 (66.8)	3150 (69.4)	3250 (71.4)
45			1150 (25.1)	1400 (40.5)	1600 (49.8)	1750 (55.9)	1850 (60.5)	1950 (63.7)	2050 (66.6)	2100 (68.8)
50				550 (32.8)	750 (44.5)	900 (51.7)	1000 (56.9)	1100 (60.6)	1150 (63.8)	1200 (66.3)
55										500 (63.6)
Minimum boom angle (°) for indicated length (no load)			11	32	42	49	54	58	61	63
Maximum boom length (ft) at 0° boom angle (no load)			43							

NOTE: ( ) Boom angles are in degrees.

#LMI operating code. Refer to LMI manual for operating instructions.

Lifting capacities at zero degree boom angle										
Boom angle	Main boom length in feet									
	31.7	43-A								
0°	5750 (27.5)	1950 (38.8)								

NOTE: ( ) Reference radii in feet.

80059350

# Load chart

**NBT60: 39,01 m (128 ft) boom, 0 kg (0 lb) counterweight, 360°, outriggers 100% extended, (heavy lift)**

Radius in feet	#8001									
	Main boom length in feet									
	31.7	43-A	54-B	64-C	75-D	86-E	97-F	107-G	118-H	128
8	120,000 (68.1)									
10	94,150 (64.0)	50,000 (71.4)								
12	82,850 (59.8)	50,000 (68.5)	50,000 (73.3)	49,550 (76.4)						
15	69,750 (53.1)	50,000 (64.1)	50,000 (70.0)	46,500 (73.6)	39,300 (76.4)	27,200 (78.3)				
20	53,150 (40.3)	50,000 (56.2)	47,950 (64.2)	41,500 (68.8)	34,100 (72.5)	25,200 (75.0)	21,000 (77.2)			
25	36,400 (21.8)	43,800 (47.6)	43,450 (58.0)	37,150 (63.9)	30,100 (68.4)	22,650 (71.6)	19,400 (74.2)	16,900 (76.2)	13,350 (77.8)	
30		31,900 (37.3)	32,600 (51.3)	33,000 (58.7)	27,100 (64.2)	20,400 (68.0)	17,800 (71.2)	15,750 (73.5)	13,350 (75.6)	9600 (76.9)
35		23,500 (23.6)	24,150 (43.8)	24,500 (53.0)	24,600 (59.8)	18,500 (64.3)	16,300 (68.0)	14,700 (70.8)	12,900 (73.2)	9600 (74.9)
40			18,700 (35.2)	19,100 (47.0)	19,400 (55.0)	17,050 (60.5)	15,100 (64.8)	13,650 (68.0)	12,050 (70.8)	9600 (72.8)
45			14,900 (24.0)	15,250 (40.2)	15,550 (50.0)	15,750 (56.5)	14,000 (61.5)	12,550 (65.0)	11,300 (68.2)	9600 (70.6)
50				12,450 (32.4)	12,700 (44.5)	12,900 (52.2)	12,850 (58.0)	11,750 (62.0)	10,650 (65.9)	9600 (68.4)
55				10,350 (23.3)	10,650 (39.2)	10,850 (48.1)	11,000 (54.6)	10,950 (59.2)	10,000 (63.2)	8750 (66.0)
60					8900 (32.3)	9100 (43.2)	9250 (50.6)	9400 (55.8)	9400 (60.4)	7850 (63.4)
65					7450 (23.8)	7650 (37.9)	7800 (46.4)	7950 (52.2)	8100 (57.3)	7000 (60.7)
70					6250 (9.3)	6500 (31.7)	6650 (41.9)	6750 (48.5)	6900 (54.1)	6300 (57.9)
75						5500 (24.2)	5650 (37.0)	5750 (44.5)	5900 (50.7)	5700 (55.1)
80						4600 (12.9)	4800 (31.4)	4900 (40.3)	5000 (47.2)	5100 (52.1)
85							4050 (24.7)	4150 (35.6)	4250 (43.5)	4350 (48.9)
90							3400 (15.2)	3500 (30.3)	3600 (39.5)	3700 (45.5)
95								2950 (23.8)	3050 (35.2)	3150 (42.0)
100								2400 (14.8)	2500 (30.2)	2600 (38.1)
105									2050 (24.4)	2150 (33.9)
110									1600 (16.5)	1700 (29.2)
115										1300 (23.5)
120										950 (15.8)
Minimum boom angle (°) for indicated length (no load)									3	11
Maximum boom length (ft) at 0° boom angle (no load)									107	

NOTE: ( ) Boom angles are in degrees.  
#LMI operating code. Refer to LMI manual for operating instructions.

Boom angle	Lifting capacities at zero degree boom angle									
	Main boom length in feet									
	31.7	43-A	54-B	64-C	75-D	86-E	97-F	107-G		
0°	17,950 (27.5)	10,000 (38.8)	6,850 (49.8)	6,100 (59.8)	4,250 (70.8)	2,850 (81.8)	1,750 (92.8)	800 (102.8)		

NOTE: ( ) Reference radii in feet. 80059355

# Load chart

**NBT60: 39,01 m (128 ft) boom, 0 kg (0 lb) counterweight, over rear, outriggers 100% extended, (heavy lift)**

Radius in feet	#8003									
	Main boom length in feet									
	31.7	43-A	54-B	64-C	75-D	86-E	97-F	107-G	118-H	128
8	120,000 (68.1)									
10	94,150 (64.0)	50,000 (71.4)								
12	82,850 (59.8)	50,000 (68.5)	50,000 (73.3)	49,550 (76.4)						
15	69,750 (53.1)	50,000 (64.1)	50,000 (70.0)	46,500 (73.6)	39,300 (76.4)	27,200 (78.3)				
20	53,150 (40.3)	50,000 (56.2)	47,950 (64.2)	41,500 (68.8)	34,100 (72.5)	25,200 (75.0)	21,000 (77.2)			
25	36,400 (21.8)	43,800 (47.6)	43,450 (58.0)	37,150 (63.9)	30,100 (68.4)	22,650 (71.6)	19,400 (74.2)	16,900 (76.2)	13,350 (77.8)	
30		35,400 (37.4)	36,600 (51.3)	33,600 (58.7)	27,100 (64.2)	20,400 (68.0)	17,800 (71.2)	15,750 (73.5)	13,350 (75.6)	9600 (76.9)
35		26,350 (23.6)	28,800 (43.9)	29,150 (53.2)	24,600 (59.8)	18,500 (64.3)	16,300 (68.0)	14,700 (70.8)	12,900 (73.2)	9600 (74.9)
40			22,850 (35.3)	23,200 (47.1)	22,750 (55.2)	17,050 (60.5)	15,100 (64.8)	13,650 (68.0)	12,050 (70.8)	9600 (72.8)
45			18,650 (24.0)	19,000 (40.3)	19,250 (50.2)	15,800 (56.5)	14,000 (61.5)	12,550 (65.0)	11,300 (68.2)	9600 (70.6)
50				15,800 (32.5)	16,050 (44.7)	14,600 (52.4)	12,850 (58.0)	11,750 (62.0)	10,650 (65.9)	9600 (68.4)
55				13,300 (22.2)	13,600 (38.7)	13,650 (47.9)	12,000 (54.4)	10,950 (59.2)	10,000 (63.2)	8750 (66.0)
60					11,600 (31.7)	11,800 (43.0)	11,250 (50.9)	10,300 (56.0)	9400 (60.4)	7850 (63.4)
65					10,050 (23.9)	10,250 (38.1)	10,450 (46.8)	9700 (52.6)	8850 (57.5)	7000 (60.7)
70					*7150 (9.4)	8900 (32.0)	9050 (42.3)	9200 (49.0)	8400 (54.5)	6300 (57.9)
75						7750 (24.4)	7900 (37.4)	8050 (45.0)	7950 (51.3)	5700 (55.1)
80						*6700 (13.1)	6900 (31.8)	7000 (40.8)	7150 (47.9)	5150 (52.1)
85							6050 (25.0)	6150 (36.1)	6250 (44.2)	4650 (49.0)
90							5250 (15.5)	5400 (30.7)	5500 (40.2)	4150 (45.7)
95								4700 (24.3)	4850 (35.8)	3700 (42.2)
100								4100 (15.2)	4200 (30.8)	3300 (38.4)
105									3700 (25.0)	3000 (34.3)
110									3200 (17.1)	2650 (29.6)
115										1900 (23.8)
120										1100 (15.9)
Minimum boom angle (°) for indicated length (no load)									3	11
Maximum boom length (ft) at 0° boom angle (no load)									107	

NOTE: ( ) Boom angles are in degrees.

\*Loads are structurally limited.

#LMI operating code. Refer to LMI manual for operating instructions.

Lifting capacities at zero degree boom angle										
Boom angle	Main boom length in feet									
	31.7	43-A	54-B	64-C	75-D	86-E	97-F	107-G		
0°	17,950 (27.5)	10,000 (38.8)	6850 (49.8)	6100 (59.8)	4250 (70.8)	2850 (81.8)	1750 (92.8)	800 (102.8)		

NOTE: ( ) Reference radii in feet.

80059359

# Load chart

**NBT60: 7,9 m (26 ft) fixed and 7,9 m - 13,7 m (26 ft - 45 ft) offsettable extension, 0 kg (0 lb) counterweight, 360°, outriggers 100% extended, (heavy lift)**

Radius in feet	**26 ft LENGTH		45 ft LENGTH	
	#8005	#8007	#8009	#8011
	0° OFFSET	30° OFFSET	0° OFFSET	30° OFFSET
35	5200 (76.9)			
40	5200 (75.3)		3700 (77.3)	
45	5200 (73.6)		3700 (75.8)	
50	5200 (71.9)	4800 (77.4)	3700 (74.4)	
55	5200 (70.1)	4800 (75.6)	3700 (72.9)	
60	5200 (68.4)	4800 (73.7)	3700 (71.4)	
65	5200 (66.7)	4800 (71.7)	3700 (69.9)	2500 (77.0)
70	4850 (64.7)	4650 (69.7)	3700 (68.4)	2500 (75.2)
75	4500 (62.6)	4400 (67.5)	3700 (66.9)	2500 (73.5)
80	4250 (60.5)	4150 (65.2)	3700 (65.4)	2500 (71.7)
85	3950 (58.3)	4000 (62.9)	3700 (63.8)	2500 (69.8)
90	3550 (55.8)	3,800 (60.5)	3550 (61.9)	2500 (67.9)
95	2950 (53.2)	3550 (57.8)	3250 (59.9)	2500 (65.9)
100	2,400 (50.5)	2950 (54.9)	3000 (57.8)	2500 (63.9)
105	1950 (47.8)	2400 (51.9)	2700 (55.6)	2450 (61.7)
110	1500 (44.9)	1900 (48.8)	2400 (53.1)	2400 (59.5)
115	1150 (41.8)	1450 (45.5)	1950 (50.4)	2350 (57.1)
120	750 (38.6)	1050 (42.0)	1600 (47.9)	2200 (54.4)
125	450 (35.1)	650 (38.2)	1250 (45.2)	1800 (51.4)
130			950 (42.4)	1400 (48.2)
135			650 (39.5)	1050 (44.9)
140				700 (41.3)
Min. boom angle for indicated length (no load)	35°	36°	37°	38°
Max. boom length at 0° boom angle (no load)	64 ft		64 ft	

NOTE: ( ) Boom angles are in degrees. 80059367

#LMI operating code. Refer to LMI manual for instructions.

\*\*26 ft capacities are applicable to both 26 ft fixed and 26 ft tele extension.

## BOOM EXTENSION CAPACITY NOTES:

- All capacities above the bold line are based on structural strength limitations.
- 26 ft and 45 ft extension lengths may be used for single line lifting service.
- Radii listed are for a fully extended boom with the boom extension erected. For main boom lengths less than fully extended, the rated loads are determined by boom angle. Use only the column which corresponds to the boom extension length and offset for which the machine is configured. For boom angles not shown, use the rating of the next lower boom angle.  
  
WARNING: Operation of this machine with heavier loads than the capacities listed is strictly prohibited. Machine tipping with boom extension occurs rapidly and without advance warning.
- Boom angle is the angle above or below horizontal of the longitudinal axis of the boom base section after lifting rated load.
- Capacities listed are with outriggers properly extended and vertical jacks set only.

# Load chart

**NBT60: 7,9 m (26 ft) fixed and 7,9 m - 13,7 m (26 ft - 45 ft) offsettable extension, 0 kg (0 lb) counterweight, over rear, outriggers 100% extended, (heavy lift)**

Radius in feet	**26 ft LENGTH		45 ft LENGTH	
	#8006	#8008	#8010	#8012
	0° OFFSET	30° OFFSET	0° OFFSET	30° OFFSET
35	5200 (76.9)			
40	5200 (75.3)		3700 (77.3)	
45	5200 (73.6)		3700 (75.8)	
50	5200 (71.9)	4800 (77.4)	3700 (74.4)	
55	5200 (70.1)	4800 (75.6)	3700 (72.9)	
60	5200 (68.4)	4800 (73.7)	3700 (71.4)	
65	5200 (66.7)	4800 (71.7)	3700 (69.9)	2500 (77.0)
70	4850 (64.7)	4650 (69.7)	3700 (68.4)	2500 (75.2)
75	4500 (62.6)	4400 (67.5)	3700 (66.9)	2500 (73.5)
80	4250 (60.5)	4150 (65.2)	3700 (65.4)	2500 (71.7)
85	3950 (58.3)	4000 (62.9)	3700 (63.8)	2500 (69.8)
90	3800 (56.1)	3800 (60.5)	3550 (61.9)	2500 (67.9)
95	3650 (53.8)	3650 (58.1)	3250 (59.9)	2500 (65.9)
100	3150 (51.2)	3350 (55.4)	3000 (57.8)	2500 (63.9)
105	2600 (48.4)	2900 (52.5)	2700 (55.6)	2450 (61.7)
110	2100 (45.5)	2550 (49.5)	2500 (53.5)	2400 (59.5)
115	1700 (42.5)	2150 (46.3)	2300 (51.2)	2350 (57.1)
120	1350 (39.3)	1650 (42.7)	2050 (48.7)	2300 (54.7)
125	950 (35.8)	1200 (38.9)	1750 (46.0)	2250 (52.1)
130	650 (32.1)	850 (34.8)	1500 (43.3)	2000 (49.1)
135		450 (30)	1200 (40.4)	1750 (45.9)
140			900 (37.2)	1350 (42.3)
145			650 (33.9)	900 (38.2)
150				600 (33.9)
Min. boom angle for indicated length (no load)	29°	30°	30°	31°
Max. boom length at 0° boom angle (no load)	64 ft		64 ft	

NOTE: ( ) Boom angles are in degrees. 80059368

#LMI operating code. Refer to LMI manual for instructions.

\*\*26 ft capacities are applicable to both 26 ft fixed and 26 ft tele extension.

## BOOM EXTENSION CAPACITY NOTES:

1. All capacities above the bold line are based on structural strength limitations
  2. 26 ft and 45 ft extension lengths may be used for single line lifting service.
  3. Radii listed are for a fully extended boom with the boom extension erected. For main boom lengths less than fully extended, the rated loads are determined by boom angle. Use only the column which corresponds to the boom extension length and offset for which the machine is configured. For boom angles not shown, use the rating of the next lower boom angle.
- WARNING: Operation of this machine with heavier loads than the capacities listed is strictly prohibited. Machine tipping with boom extension occurs rapidly and without advance warning.
4. Boom angle is the angle above or below horizontal of the longitudinal axis of the boom base section after lifting rated load.
  5. Capacities listed are with outriggers properly extended and vertical jacks set only.

# Load chart

**NBT60: 39,01 m (128 ft) boom, 0 kg (0 lb) counterweight, 360°, outriggers 50% extended, (heavy lift)**

Radius in feet	#8401									
	Main boom length in feet									
	31.7	43-A	54-B	64-C	75-D	86-E	97-F	107-G	118-H	128
8	120,000 (68.1)									
10	94,150 (64.0)	50,000 (71.4)								
12	82,850 (59.8)	50,000 (68.5)	50,000 (73.3)	49,550 (76.4)						
15	56,050 (53.1)	50,000 (64.1)	50,000 (70.0)	46,500 (73.6)	39,300 (76.4)	27,200 (78.3)				
20	29,850 (40.2)	31,000 (56.2)	31,650 (64.0)	32,100 (68.7)	32,550 (72.4)	25,200 (75.0)	21,000 (77.2)			
25	18,850 (21.8)	19,950 (47.4)	20,500 (57.7)	20,850 (63.6)	21,200 (68.1)	21,500 (71.5)	19,400 (74.2)	16,900 (76.2)	13,350 (77.8)	
30		13,900 (37.2)	14,400 (51.1)	14,750 (58.3)	15,000 (63.7)	15,250 (67.7)	15,550 (71.0)	15,750 (73.5)	13,350 (75.6)	9600 (76.9)
35		10,000 (25.2)	10,550 (44.4)	10,850 (53.3)	11,100 (59.6)	11,300 (63.9)	11,500 (67.6)	11,700 (70.4)	11,950 (73.1)	9600 (74.9)
40			8000 (36.0)	8300 (47.3)	8400 (55.0)	8550 (60.3)	8750 (64.5)	8900 (67.6)	9100 (70.4)	9600 (72.8)
45			6000 (25.2)	6300 (40.7)	6550 (50.0)	6700 (56.3)	6900 (61.0)	7050 (64.5)	7200 (67.6)	7350 (70.1)
50				4800 (33.0)	5050 (44.7)	5200 (52.0)	5350 (57.4)	5500 (61.3)	5600 (64.8)	5750 (67.4)
55				3600 (23.1)	3850 (38.8)	4000 (47.5)	4150 (53.7)	4250 (58.0)	4350 (61.9)	4500 (64.7)
60					2850 (32.0)	3000 (42.7)	3150 (49.8)	3250 (54.6)	3350 (58.9)	3450 (62.0)
65					2050 (23.5)	2200 (37.3)	2350 (45.6)	2450 (51.1)	2550 (55.8)	2650 (59.3)
70					1350 (9.1)	1550 (31.2)	1650 (41.2)	1750 (47.4)	1850 (52.7)	1,950 (56.4)
75						950 (23.7)	1100 (36.3)	1200 (43.5)	1250 (49.4)	1350 (53.5)
80							600 (30.7)	700 (39.3)	750 (45.9)	850 (50.5)
Minimum boom angle (°) for indicated length (no load)						12	29	37	44	48
Maximum boom length (ft) at 0° boom angle (no load)						75				

NOTE: ( ) Boom angles are in degrees.  
#LMI operating code. Refer to LMI manual for operating instructions.

Lifting capacities at zero degree boom angle										
Boom angle	Main boom length in feet									
	31.7	43-A	54-B	64-C	75-D					
0°	15,900 (27.5)	7900 (38.8)	4500 (49.8)	2650 (59.8)	1250 (70.8)					

NOTE: ( ) Reference radii in feet.

80059361

# Load chart

**NBT60: 7,9 m (26 ft) fixed and 7,9 m - 13,7 m (26 ft - 45 ft) offsettable extension, 0 kg (0 lb) countweight, 360°, outriggers 50% extended, (heavy lift)**

Radius in Feet	**26 ft LENGTH		45 ft LENGTH	
	#8405	#8407	#8409	#8411
	0° OFFSET	30° OFFSET	0° OFFSET	30° OFFSET
25				
30				
35	5200 (76.9)			
40	5200 (75.3)		3700 (77.3)	
45	5200 (73.6)		3700 (75.8)	
50	5200 (71.9)	4800 (77.4)	3700 (74.4)	
55	4350 (69.8)	4800 (75.6)	3700 (72.9)	
60	3250 (67.5)	4700 (73.5)	3700 (71.4)	
65	2400 (65.3)	3550 (70.8)	3500 (69.7)	2500 (77.0)
70	1650 (63.0)	2600 (68.2)	2550 (67.4)	2500 (75.2)
75	1050 (60.7)	1900 (65.7)	1900 (65.3)	2500 (73.5)
80	500 (58.3)	1250 (63.1)	1400 (63.3)	2500 (71.7)
85		700 (60.5)	900 (61.1)	2050 (69.2)
90			450 (59)	1550 (66.7)
95				1050 (64.2)
100				600 (61.7)
Min. boom angle for indicated length (no load)	58°	60°	59°	61°
Max. boom length at 0° boom angle (no load)	64 ft		64 ft	

NOTE: ( ) Boom angles are in degrees.

80059369

#LMI operating code. Refer to LMI manual for instructions.

\*\*26 ft capacities are applicable to both 26 ft fixed and 26 ft tele extension.

## BOOM EXTENSION CAPACITY

### NOTES:

- All capacities above the bold line are based on structural strength limitations.
- 26ft and 45ft extension lengths may be used for single line lifting service.
- Radii listed are for a fully extended boom with the boom extension erected. For main boom lengths less than fully extended, the rated loads are determined by boom angle. Use only the column which corresponds to the boom extension length and offset for which the machine is configured. For boom angles not shown, use the rating of the next lower boom angle.  
  
WARNING: Operation of this machine with heavier loads than the capacities listed is strictly prohibited. Machine tipping with boom extension occurs rapidly and without advance warning.
- Boom angle is the angle above or below horizontal of the longitudinal axis of the boom base section after lifting rated load.
- Capacities listed are with outriggers properly extended and vertical jacks set only



# Load chart

**NBT60: 39,01 m (128 ft) boom, 0 kg (0 lb) counterweight, 360°, outriggers 0% extended, (heavy lift)**

Radius in feet	#8801										
	Main boom length in feet										
	31.7	43-A	54-B	64-C	75-D	86-E	97-F	107-G	118-H	128	
8	55,650 (68.0)										
10	35,050 (64.0)	36,250 (71.3)									
12	24,600 (59.8)	25,700 (68.4)	26,300 (73.1)	26,650 (76.0)							
15	16,000 (53.1)	16,950 (63.9)	17,450 (69.7)	17,750 (73.1)	18,100 (75.9)	18,350 (78.0)					
20	8700 (41.6)	9550 (56.9)	10,050 (64.4)	10,300 (68.8)	10,550 (72.2)	10,800 (74.7)	11,000 (76.8)				
25	5000 (24.2)	5850 (48.3)	6300 (58.2)	6550 (63.8)	6800 (68.0)	6,950 (71.1)	7150 (73.6)	7300 (75.5)	7450 (77.3)		
30		3400 (38.3)	3850 (51.6)	4100 (58.6)	4300 (63.7)	4450 (67.5)	4600 (70.4)	4750 (72.6)	4850 (74.6)	5000 (76.1)	
35		1750 (25.2)	2200 (44.3)	2450 (53.0)	2650 (59.3)	2750 (63.7)	2900 (67.1)	3000 (69.6)	3100 (71.9)	3200 (73.6)	
40			950 (35.9)	1200 (47.1)	1400 (54.7)	1550 (59.9)	1650 (63.8)	1750 (66.6)	1850 (69.2)	1900 (71.1)	
45					500 (49.7)	600 (55.8)	750 (60.4)	800 (63.6)	900 (66.4)	950 (68.6)	
Minimum boom angle (°) for indicated length (no load)			31	42	49	55	59	62	65	67	
Maximum boom length (ft) at 0° boom angle (no load)			43								

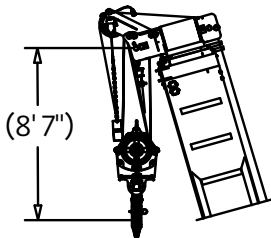
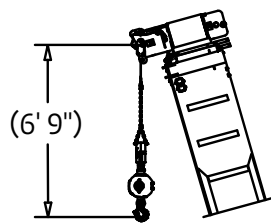
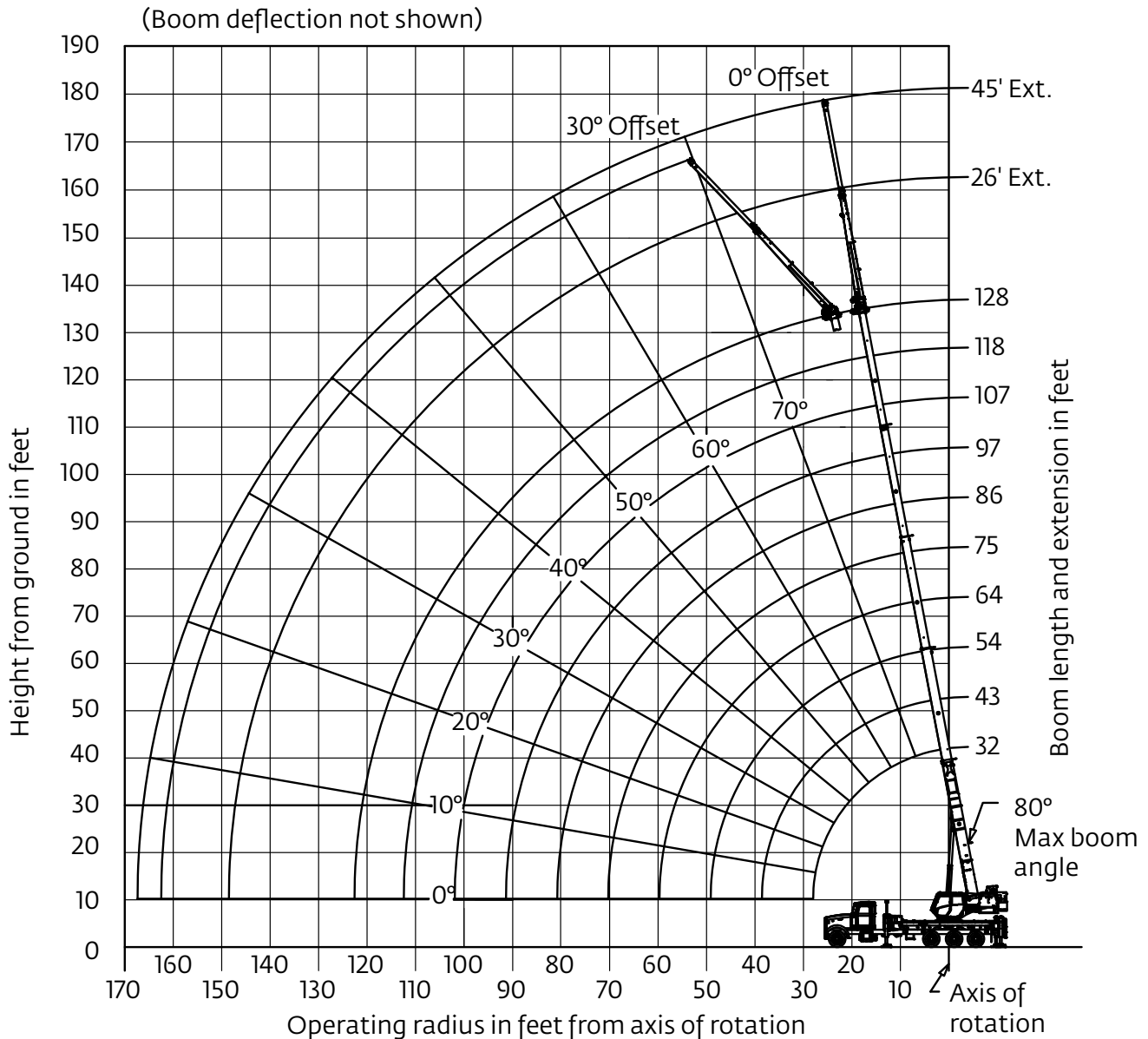
NOTE: ( ) Boom angles are in degrees.  
#LMI operating code. Refer to LMI manual for operating instructions.

Lifting capacities at zero degree boom angle										
Boom angle	Main boom length in feet									
	31.7	43-A								
0°	3800 (27.5)	700 (38.8)								

NOTE: ( ) Reference radii in feet. 80059365

# Working range

**NBT60: 39,0 m (128 ft boom) with 7,9 m - 13,7 m (26 ft - 45 ft) extension (minimum truck)**



Dimensions are for largest furnished hook block and headache ball with anti-two block activated.

\*This drawing shows the physical reach of the machine. Always refer to the load chart to see which portions of this diagram are valid for the specific machine configuration and where the loads are structurally or stability limited.

# Load chart

**NBT60: 39,01 m (128 ft) boom, 2722 kg (6000 lb) counterweight, 360°, outriggers 100% extended, (minimum truck)**

Radius in feet	#0001									
	Main boom length in feet									
	31.7	43-A	54-B	64-C	75-D	86-E	97-F	107-G	118-H	128
8	120,000 (68.1)									
10	94,150 (64)	50,000 (71.4)								
12	82,850 (59.8)	50,000 (68.5)	50,000 (73.3)	49,550 (76.4)						
15	69,750 (53.1)	50,000 (64.1)	50,000 (70)	46,500 (73.6)	39,300 (76.4)	27,200 (78.3)				
20	53,150 (40.3)	50,000 (56.2)	47,950 (64.2)	41,500 (68.8)	34,100 (72.5)	25,200 (75)	21,000 (77.2)			
25	36,400 (21.8)	43,800 (47.6)	43,450 (58)	37,150 (63.9)	30,100 (68.4)	22,650 (71.6)	19,400 (74.2)	16,900 (76.2)	13,350 (77.8)	
30		35,400 (37.4)	36,600 (51.3)	33,600 (58.7)	27,100 (64.2)	20,400 (68)	17,800 (71.2)	15,750 (73.5)	13,350 (75.6)	9600 (76.9)
35		26,350 (23.6)	28,100 (43.9)	28,500 (53.1)	24,600 (59.8)	18,500 (64.3)	16,300 (68)	14,700 (70.8)	12,900 (73.2)	9600 (74.9)
40			22,000 (35.2)	22,350 (47)	22,600 (55.2)	17,050 (60.5)	15,100 (64.8)	13,650 (68)	12,050 (70.8)	9600 (72.8)
45			17,700 (24)	18,050 (40.3)	18,300 (50.1)	15,800 (56.5)	14,000 (61.5)	12,550 (65)	11,300 (68.2)	9600 (70.6)
50				14,850 (32.4)	15,100 (44.7)	14,600 (52.4)	12,850 (58)	11,750 (62)	10,650 (65.9)	9600 (68.4)
55				12,400 (22.2)	12,650 (38.7)	12,850 (47.8)	12,000 (54.4)	10,950 (59.2)	10,000 (63.2)	8750 (66)
60					10,800 (32.4)	11,000 (43.4)	11,050 (50.9)	10,300 (56)	9400 (60.4)	7850 (63.4)
65					9200 (23.9)	9400 (38)	9600 (46.7)	9700 (52.6)	8850 (57.5)	7000 (60.7)
70					*7150 (9.4)	8050 (31.9)	8250 (42.2)	8400 (48.8)	8400 (54.5)	6300 (57.9)
75						6950 (24.3)	7100 (37.3)	7250 (44.9)	7400 (51.2)	5700 (55.1)
80						6000 (13)	6150 (31.7)	6250 (40.6)	6400 (47.6)	5150 (52.1)
85							5300 (24.9)	5450 (35.9)	5550 (43.9)	4650 (49)
90							4600 (15.4)	4700 (30.6)	4800 (39.9)	4150 (45.7)
95								4050 (24.1)	4150 (35.6)	3700 (42.2)
100								3500 (15.1)	3600 (30.6)	3300 (38.4)
105									3100 (24.8)	3000 (34.3)
110									2600 (16.9)	2650 (29.6)
115										1900 (23.8)
120										1100 (15.9)
Minimum boom angle (°) for indicated length (no load)									3	11
Maximum boom length (ft) at 0° boom angle (no load)									1 07	

NOTE: ( ) Boom angles are in degrees.

\*Loads are structurally limited.

#LMI operating code. Refer to LMI manual for operating instructions.

Boom Angle	Lifting Capacities at Zero Degree Boom Angle									
	Main Boom Length in Feet									
	31.7	43-A	54-B	64-C	75-D	86-E	97-F	107-G		
0°	17,950 (27.5)	10,000 (38.8)	6850 (49.8)	6100 (59.8)	4250 (70.8)	2850 (81.8)	1750 (92.8)	800 (102.8)		

NOTE: ( ) Reference radii in feet.

80060367

# Load chart

**NBT60: 39,01 m (128 ft) boom, 2722 kg (6000 lb) counterweight, over rear, outriggers 100% extended, (minimum truck)**

Radius in feet	#0003									
	Main boom length in feet									
	31.7	43-A	54-B	64-C	75-D	86-E	97-F	107-G	118-H	128
8	120,000 (68.1)									
10	94,150 (64)	50,000 (71.4)								
12	82,850 (59.8)	50,000 (68.5)	50,000 (73.3)	49,550 (76.4)						
15	69,750 (53.1)	50,000 (64.1)	50,000 (70)	46,500 (73.6)	39,300 (76.4)	27,200 (78.3)				
20	53,150 (40.3)	50,000 (56.2)	47,950 (64.2)	41,500 (68.8)	34,100 (72.5)	25,200 (75)	21,000 (77.2)			
25	36,400 (21.8)	43,800 (47.6)	43,450 (58)	37,150 (63.9)	30,100 (68.4)	22,650 (71.6)	19,400 (74.2)	16,900 (76.2)	13,350 (77.8)	
30		35,400 (37.4)	36,600 (51.3)	33,600 (58.7)	27,100 (64.2)	20,400 (68)	17,800 (71.2)	15,750 (73.5)	13,350 (75.6)	9600 (76.9)
35		26,350 (23.6)	29,400 (43.9)	29,750 (53.2)	24,600 (59.8)	18,500 (64.3)	16,300 (68)	14,700 (70.8)	12,900 (73.2)	9600 (74.9)
40			23,350 (35.3)	23,700 (47.1)	22,750 (55.2)	17,050 (60.5)	15,100 (64.8)	13,650 (68)	12,050 (70.8)	9600 (72.8)
45			19,100 (24.1)	19,400 (40.3)	19,700 (50.2)	15,800 (56.5)	14,000 (61.5)	12,550 (65)	11,300 (68.2)	9600 (70.6)
50				16,200 (32.5)	16,450 (44.7)	14,600 (52.4)	12,850 (58)	11,750 (62)	10,650 (65.9)	9600 (68.4)
55				13,650 (22.2)	13,900 (38.7)	13,650 (47.9)	12,000 (54.4)	10,950 (59.2)	10,000 (63.2)	8750 (66)
60					11,900 (31.8)	12,100 (43)	11,250 (50.9)	10,300 (56)	9400 (60.4)	7850 (63.4)
65					10,350 (24)	10,550 (38.1)	10,600 (46.8)	9700 (52.6)	8850 (57.5)	7000 (60.7)
70					*7150 (9.4)	9150 (32)	9300 (42.4)	9200 (49)	8400 (54.5)	6300 (57.9)
75						7950 (24.4)	8100 (37.4)	8250 (45.1)	7950 (51.3)	5700 (55.1)
80						*6700 (13.1)	7,100 (31.8)	7250 (40.8)	7350 (47.9)	5150 (52.1)
85							6250 (25.1)	6350 (36.1)	6500 (44.2)	4650 (49)
90							5450 (15.6)	5600 (30.8)	5700 (40.2)	4150 (45.7)
95								4900 (24.3)	5000 (35.8)	3700 (42.2)
100								4250 (15.2)	4400 (30.9)	3300 (38.4)
105									3,850 (25)	3000 (34.3)
110									3350 (17.1)	2650 (29.6)
115										1900 (23.8)
120										1100 (15.9)
Minimum boom angle (°) for indicated length (no load)									3	11
Maximum boom length (ft.) at 0° boom angle (no load)									107	

NOTE: ( ) Boom angles are in degrees.

\*Loads are structurally limited.

#LMI operating code. Refer to LMI manual for operating instructions.

Lifting capacities at zero degree boom angle										
Boom angle	Main boom length in feet									
	31.7	43-A	54-B	64-C	75-D	86-E	97-F	107-G		
0°	17,950 (27.5)	10,000 (38.8)	6850 (49.8)	6100 (59.8)	4250 (70.8)	2850 (81.8)	1750 (92.8)	800 (102.8)		

NOTE: ( ) Reference radii in feet.

80060371

THIS CHART IS ONLY A GUIDE AND SHOULD NOT BE USED TO OPERATE THE CRANE.

The individual crane's load chart, operating instructions and other instructional plates must be read and understood prior to operating the crane.

# Load chart

**NBT60: 7,9 m (26 ft) fixed and 7,9 m - 13,7 m (26 ft - 45 ft) offsettable extension, 2722 kg (6000 lb) counterweight, 360°, outriggers 100% extended, (minimum truck)**

Radius in feet	**26 ft LENGTH		45 ft LENGTH	
	#0005	#0007	#0009	#0011
	0° OFFSET	30° OFFSET	0° OFFSET	30° OFFSET
35	5200 (76.9)			
40	5200 (75.3)		3700 (77.3)	
45	5200 (73.6)		3700 (75.8)	
50	5200 (71.9)	4800 (77.4)	3700 (74.4)	
55	5200 (70.1)	4800 (75.6)	3700 (72.9)	
60	5200 (68.4)	4800 (73.7)	3700 (71.4)	
65	5200 (66.7)	4800 (71.7)	3700 (69.9)	2500 (77)
70	4850 (64.7)	4650 (69.7)	3700 (68.4)	2500 (75.2)
75	4500 (62.6)	4400 (67.5)	3700 (66.9)	2500 (73.5)
80	4250 (60.5)	4150 (65.2)	3700 (65.4)	2500 (71.7)
85	3950 (58.3)	4000 (62.9)	3700 (63.8)	2500 (69.8)
90	3800 (56.1)	3800 (60.5)	3550 (61.9)	2500 (67.9)
95	3650 (53.8)	3650 (58.1)	3250 (59.9)	2500 (65.9)
100	3150 (51.2)	3350 (55.4)	3000 (57.8)	2500 (63.9)
105	2600 (48.4)	2900 (52.5)	2700 (55.6)	2450 (61.7)
110	2100 (45.5)	2550 (49.5)	2500 (53.5)	2400 (59.5)
115	1700 (42.5)	2150 (46.3)	2300 (51.2)	2350 (57.1)
120	1350 (39.3)	1650 (42.7)	2050 (48.7)	2300 (54.7)
125	950 (35.8)	1200 (38.9)	1750 (46)	2250 (52.1)
130	650 (32.1)	850 (34.8)	1500 (43.3)	2000 (49.1)
135		450 (30)	1200 (40.4)	1750 (45.9)
140			900 (37.2)	1350 (42.3)
145			650 (33.9)	900 (38.2)
150				600 (33.9)
Min. boom angle for indicated length (no load)	29°	30°	30°	31°
Max. boom length at 0° boom angle (no load)	64 ft		64 ft	

NOTE: ( ) Boom angles are in degrees. 80060379

#LMI operating code. Refer to LMI manual for instructions.  
\*\*26 ft capacities are applicable to both 26 ft fixed and 26 ft tele extension.

## BOOM EXTENSION CAPACITY NOTES:

1. All capacities above the bold line are based on structural strength limitations.
2. 26 ft and 45 ft extension lengths may be used for single line lifting service.
3. Radii listed are for a fully extended boom with the boom extension erected. For main boom lengths less than fully extended, the rated loads are determined by boom angle. Use only the column which corresponds to the boom extension length and offset for which the machine is configured. For boom angles not shown, use the rating of the next lower boom angle.  
  
WARNING: Operation of this machine with heavier loads than the capacities listed is strictly prohibited. Machine tipping with boom extension occurs rapidly and without advance warning.
4. Boom angle is the angle above or below horizontal of the longitudinal axis of the boom base section after lifting rated load.
5. Capacities listed are with outriggers properly extended and vertical jacks set only.

# Load chart

**NBT60: 7,9 m (26 ft) fixed and 7,9 m - 13,7 m (26 ft - 45 ft) offsettable extension, 2722 kg (6000 lb) counterweight, over rear, outriggers 100% extended, (minimum truck)**

Radius in feet	**26 ft LENGTH		45 ft LENGTH	
	#0006	#0008	#0010	#0012
	0° OFFSET	30° OFFSET	0° OFFSET	30° OFFSET
35	5200 (76.9)			
40	5200 (75.3)		3700 (77.3)	
45	5200 (73.6)		3700 (75.8)	
50	5200 (71.9)	4800 (77.4)	3700 (74.4)	
55	5200 (70.1)	4800 (75.6)	3700 (72.9)	
60	5200 (68.4)	4800 (73.7)	3700 (71.4)	
65	5,200 (66.7)	4800 (71.7)	3700 (69.9)	2500 (77)
70	4850 (64.7)	4650 (69.7)	3700 (68.4)	2500 (75.2)
75	4500 (62.6)	4400 (67.5)	3700 (66.9)	2500 (73.5)
80	4250 (60.5)	4150 (65.2)	3700 (65.4)	2500 (71.7)
85	3950 (58.3)	4000 (62.9)	3700 (63.8)	2500 (69.8)
90	3800 (56.1)	3800 (60.5)	3550 (61.9)	2500 (67.9)
95	3650 (53.8)	3650 (58.1)	3250 (59.9)	2500 (65.9)
100	3,150 (51.2)	3350 (55.4)	3000 (57.8)	2500 (63.9)
105	2600 (48.4)	2900 (52.5)	2700 (55.6)	2450 (61.7)
110	2100 (45.5)	2550 (49.5)	2500 (53.5)	2400 (59.5)
115	1700 (42.5)	2150 (46.3)	2300 (51.2)	2350 (57.1)
120	1350 (39.3)	1650 (42.7)	2050 (48.7)	2300 (54.7)
125	950 (35.8)	1200 (38.9)	1750 (46)	2250 (52.1)
130	650 (32.1)	850 (34.8)	1500 (43.3)	2000 (49.1)
135		450 (30)	1200 (40.4)	1750 (45.9)
140			900 (37.2)	1350 (42.3)
145			650 (33.9)	900 (38.2)
150				600 (33.9)
Min. boom angle for indicated length (no load)	29°	30°	30°	31°
Max. boom length at 0° boom angle (no load)	64 ft		64 ft	

NOTE: ( ) Boom angles are in degrees. 80060380  
 #LMI operating code. Refer to LMI manual for instructions.  
 \*\*26 ft capacities are applicable to both 26 ft fixed and 26 ft tele extension.

## BOOM EXTENSION CAPACITY NOTES:

1. All capacities above the bold line are based on structural strength limitations
  2. 26 ft and 45 ft extension lengths may be used for single line lifting service.
  3. Radii listed are for a fully extended boom with the boom extension erected. For main boom lengths less than fully extended, the rated loads are determined by boom angle. Use only the column which corresponds to the boom extension length and offset for which the machine is configured. For boom angles not shown, use the rating of the next lower boom angle.
- WARNING: Operation of this machine with heavier loads than the capacities listed is strictly prohibited. Machine tipping with boom extension occurs rapidly and without advance warning.
4. Boom angle is the angle above or below horizontal of the longitudinal axis of the boom base section after lifting rated load.
  5. Capacities listed are with outriggers properly extended and vertical jacks set only.

# Load chart

**NBT60: 39,01 m (128 ft) boom, 2722 kg (6000 lb) counterweight, 360°, outriggers 50% extended, (minimum truck)**

Radius in feet	#0401									
	Main boom length in feet									
	31.7	43-A	54-B	64-C	75-D	86-E	97-F	107-G	118-H	128
8	120,000 (68.1)									
10	94,150 (64)	50,000 (71.4)								
12	82,850 (59.8)	50,000 (68.5)	50,000 (73.3)	49,550 (76.4)						
15	67,050 (53.1)	50,000 (64.1)	50,000 (70)	46,500 (73.6)	39,300 (76.4)	27,200 (78.3)				
20	36,250 (40.2)	37,400 (56.2)	38,050 (64.1)	38,500 (68.8)	34,100 (72.5)	25,200 (75)	21,000 (77.2)			
25	23,450 (21.8)	24,500 (47.5)	25,100 (57.8)	25,450 (63.7)	25,800 (68.2)	22,650 (71.6)	19,400 (74.2)	16,900 (76.2)	13,350 (77.8)	
30		17,450 (37.3)	17,900 (51.1)	18,250 (58.3)	18,500 (63.8)	18,750 (67.9)	17,800 (71.2)	15,750 (73.5)	13,350 (75.6)	9600 (76.9)
35		12,900 (23.6)	13,450 (43.7)	13,750 (52.8)	14,000 (59.3)	14,200 (64)	14,450 (67.9)	14,700 (70.8)	12,900 (73.2)	9600 (74.9)
40			10,300 (36)	10,600 (47.3)	10,850 (55.1)	11,050 (60.5)	11,250 (64.7)	11,450 (67.7)	11,650 (70.7)	9600 (72.8)
45			8150 (25.2)	8450 (40.7)	8550 (50.1)	8700 (56.4)	8900 (61.2)	9050 (64.8)	9250 (68)	9600 (70.6)
50				6650 (33)	6900 (44.8)	7050 (52.2)	7250 (57.6)	7400 (61.6)	7550 (65.2)	7700 (67.9)
55				5250 (23.2)	5500 (38.9)	5650 (47.7)	5800 (53.9)	5950 (58.3)	6100 (62.3)	6200 (65.2)
60					4350 (32.1)	4550 (42.8)	4700 (50)	4800 (54.9)	4900 (59.3)	5050 (62.5)
65					3450 (23.5)	3600 (37.5)	3750 (45.8)	3850 (51.4)	3950 (56.2)	4050 (59.7)
70					2600 (9.1)	2800 (31.3)	2950 (41.4)	3050 (47.7)	3150 (53)	3250 (56.9)
75						2150 (23.9)	2250 (36.5)	2350 (43.8)	2450 (49.7)	2550 (53.9)
80						1550 (12.6)	1700 (30.9)	1800 (39.5)	1850 (46.2)	1950 (50.9)
85							1200 (24.2)	1250 (34.9)	1350 (42.6)	1450 (47.7)
90							750 (14.8)	850 (29.6)	900 (38.6)	950 (44.4)
95									500 (34.3)	550 (40.9)
Minimum boom angle (°) for indicated length (no load)								23	34	40
Maximum boom length (ft.) at 0° boom angle (no load)								97		

NOTE: ( ) Boom angles are in degrees.  
#LMI operating code. Refer to LMI manual for operating instructions.

Lifting capacities at zero degree boom angle										
Boom angle	Main boom length in feet									
	31.7	43-A	54-B	64-C	75-D	86-E	97-F			
0°	17,950 (27.5)	10,000 (38.8)	6350 (49.8)	4150 (59.8)	2500 (70.8)	1350 (81.8)	500 (92.8)			

NOTE: ( ) Reference radii in feet.

80060373

# Load chart

**NBT60: 7,9 m (26 ft) fixed and 7,9 m - 13,7 m (26 ft - 45 ft) offsettable extension, 2722 kg (6000 lb) counterweight, 360°, outriggers 50% extended, (minimum truck)**

Radius in feet	**26 ft LENGTH		45 ft LENGTH	
	#0405	#0407	#0409	#0411
	0° OFFSET	30° OFFSET	0° OFFSET	30° OFFSET
35	5200 (76.9)			
40	5200 (75.3)		3700 (77.3)	
45	5200 (73.6)		3700 (75.8)	
50	5200 (71.9)	4800 (77.4)	3700 (74.4)	
55	5200 (70.1)	4800 (75.6)	3700 (72.9)	
60	4900 (68.2)	4800 (73.7)	3700 (71.4)	
65	3900 (65.9)	4800 (71.7)	3700 (69.9)	2500 (77)
70	3000 (63.6)	4100 (69.2)	3700 (68.4)	2500 (75.2)
75	2300 (61.3)	3200 (66.5)	3350 (66.4)	2500 (73.5)
80	1650 (58.9)	2450 (63.9)	2650 (64.2)	2500 (71.7)
85	1150 (56.5)	1800 (61.3)	2050 (62)	2500 (69.8)
90	650 (54)	1250 (58.6)	1550 (59.8)	2500 (67.9)
95		750 (55.9)	1100 (57.6)	2100 (65.4)
100			700 (55.3)	1600 (62.8)
105				1150 (60.2)
110				750 (57.5)
Min. boom angle for indicated length (no load)	53°	54°	54°	56°
Max. boom length at 0° boom angle (no load)	64 ft		64 ft	

NOTE: ( ) Boom angles are in degrees.

80060381

#LMI operating code. Refer to LMI manual for instructions.

\*\*26 ft capacities are applicable to both 26 ft fixed and 26ft tele extension.

## BOOM EXTENSION CAPACITY

### NOTES:

1. All capacities above the bold line are based on structural strength limitations.
2. 26 ft and 45 ft extension lengths may be used for single line lifting service.
3. Radii listed are for a fully extended boom with the boom extension erected. For main boom lengths less than fully extended, the rated loads are determined by boom angle. Use only the column which corresponds to the boom extension length and offset for which the machine is configured. For boom angles not shown, use the rating of the next lower boom angle.

**WARNING:** Operation of this machine with heavier loads than the capacities listed is strictly prohibited. Machine tipping with boom extension occurs rapidly and without advance warning.

4. Boom angle is the angle above or below horizontal of the longitudinal axis of the boom base section after lifting rated load.
5. Capacities listed are with outriggers properly extended and vertical jacks set only



# Load chart

**NBT60: 39,01 m (128 ft) boom, 2722 kg (6000 lb) counterweight, 360°, outriggers 0% extended, (minimum truck)**

Radius in feet	#0801									
	Main boom length in feet									
	31.7	43-A	54-B	64-C	75-D	86-E	97-F	107-G	118-H	128
8	72,600 (68)									
10	46,400 (64)	47,600 (71.4)								
12	33,200 (59.8)	34,250 (68.4)	34,900 (73.2)	35,350 (76.2)						
15	22,250 (53.1)	23,200 (64)	23,700 (69.8)	24,100 (73.2)	24,450 (76.1)	24,750 (78.3)				
20	13,000 (40.2)	13,900 (56.1)	14,350 (63.8)	14,650 (68.4)	14,950 (71.9)	15,150 (74.6)	15,450 (76.8)			
25	8300 (24.2)	9000 (48.3)	9450 (58.3)	9700 (63.8)	9900 (68.1)	10,100 (71.3)	10,300 (73.8)	10,500 (75.8)	10,750 (77.7)	
30		6100 (38.3)	6550 (51.6)	6800 (58.6)	7000 (63.8)	7150 (67.6)	7350 (70.6)	7500 (72.9)	7650 (75)	7800 (76.6)
35		3950 (25.2)	4450 (44.3)	4700 (53.1)	4900 (59.4)	5050 (63.9)	5150 (67.3)	5300 (69.9)	5450 (72.2)	5550 (74)
40			2900 (35.9)	3150 (47.1)	3350 (54.7)	3500 (60)	3600 (64)	3750 (66.9)	3850 (69.5)	3950 (71.5)
45			1750 (25.1)	2000 (40.5)	2200 (49.8)	2350 (56)	2450 (60.5)	2550 (63.8)	2650 (66.8)	2700 (69)
50				1100 (32.9)	1300 (44.5)	1400 (51.7)	1550 (57)	1600 (60.7)	1700 (64)	1750 (66.4)
55					550 (38.6)	700 (47.3)	800 (53.3)	850 (57.4)	950 (61.1)	1000 (63.8)
Minimum boom angle (°) for indicated length (no load)				25	38	46	52	56	59	62
Maximum boom length (ft.) at 0° boom angle (no load)				54						

NOTE: ( ) Boom angles are in degrees.

#LMI operating code. Refer to LMI manual for operating instructions.

Lifting capacities at zero degree boom angle										
Boom angle	Main boom length in feet									
	31.7	43-A	54-B							
0°	6800 (27.5)	2650 (38.8)	800 (49.8)							

NOTE: ( ) Reference radii in feet.

80060377

# Load chart

**NBT60: 39,01 m (128 ft) boom, 1361 kg (3000 lb) counterweight, 360°, outriggers 100% extended, (minimum truck)**

Radius in feet	#1001									
	Main boom length in feet									
	31.7	43-A	54-B	64-C	75-D	86-E	97-F	107-G	118-H	128
8	120,000 (68.1)									
10	94,150 (64)	50,000 (71.4)								
12	82,850 (59.8)	50,000 (68.5)	50,000 (73.3)	49,550 (76.4)						
15	69,750 (53.1)	50,000 (64.1)	50,000 (70)	46,500 (73.6)	39,300 (76.4)	27,200 (78.3)				
20	53,150 (40.3)	50,000 (56.2)	47,950 (64.2)	41,500 (68.8)	34,100 (72.5)	25,200 (75)	21,000 (77.2)			
25	36,400 (21.8)	43,800 (47.6)	43,450 (58)	37,150 (63.9)	30,100 (68.4)	22,650 (71.6)	19,400 (74.2)	16,900 (76.2)	13,350 (77.8)	
30		33,650 (37.3)	34,250 (51.3)	33,600 (58.7)	27,100 (64.2)	20,400 (68)	17,800 (71.2)	15,750 (73.5)	13,350 (75.6)	9600 (76.9)
35		24,850 (23.6)	25,500 (43.9)	25,850 (53.1)	24,600 (59.8)	18,500 (64.3)	16,300 (68)	14,700 (70.8)	12,900 (73.2)	9600 (74.9)
40			19,850 (35.2)	20,200 (47)	20,500 (55.1)	17,050 (60.5)	15,100 (64.8)	13,650 (68)	12,050 (70.8)	9600 (72.8)
45			15,850 (24)	16,200 (40.2)	16,500 (50)	15,800 (56.5)	14,000 (61.5)	12,550 (65)	11,300 (68.2)	9600 (70.6)
50				13,250 (32.4)	13,500 (44.6)	13,700 (52.3)	12,850 (58)	11,750 (62)	10,650 (65.9)	9600 (68.4)
55				11,000 (23.3)	11,250 (39.2)	11,450 (47.7)	11,600 (54.3)	10,950 (59.2)	10,000 (63.2)	8750 (66)
60					9550 (32.4)	9750 (43.3)	9900 (50.7)	10,100 (55.9)	9400 (60.4)	7850 (63.4)
65					8050 (23.8)	8250 (37.9)	8450 (46.5)	8550 (52.3)	8750 (57.5)	7000 (60.7)
70					6800 (9.3)	7050 (31.8)	7200 (42)	7300 (48.6)	7450 (54.2)	6300 (57.9)
75						6000 (24.2)	6150 (37.1)	6250 (44.6)	6400 (50.9)	5700 (55.1)
80						5100 (12.9)	5250 (31.5)	5350 (40.4)	5500 (47.4)	5150 (52.1)
85							4500 (24.8)	4600 (35.7)	4700 (43.6)	4650 (49)
90							3800 (15.3)	3900 (30.4)	4050 (39.7)	4100 (45.7)
95								3350 (23.9)	3450 (35.3)	3500 (42.1)
100								2800 (14.9)	2900 (30.4)	3000 (38.3)
105									2400 (24.5)	2500 (34.1)
110									2000 (16.7)	2100 (29.3)
115										1700 (23.7)
120										*1100 (15.8)
Minimum boom angle (°) for indicated length (no load)									3	11
Maximum boom length (ft) at 0° boom angle (no load)									107	

NOTE: ( ) Boom angles are in degrees.

\*Loads are structurally limited.

#LMI operating code. Refer to LMI manual for operating instructions.

Lifting capacities at zero degree boom angle										
Boom angle	Main boom length in feet									
	31.7	43-A	54-B	64-C	75-D	86-E	97-F	107-G		
0°	17,950 (27.5)	10,000 (38.8)	6850 (49.8)	6100 (59.8)	4250 (70.8)	2850 (81.8)	1750 (92.8)	800 (102.8)		

NOTE: ( ) Reference radii in feet.

80060382

THIS CHART IS ONLY A GUIDE AND SHOULD NOT BE USED TO OPERATE THE CRANE.

The individual crane's load chart, operating instructions and other instructional plates must be read and understood prior to operating the crane.

# Load chart

**NBT60: 39,01 m (128 ft) boom, 1361 kg (3000 lb) counterweight, over rear, outriggers 100% extended, (minimum truck)**

Radius in feet	#1003									
	Main boom length in feet									
	31.7	43-A	54-B	64-C	75-D	86-E	97-F	107-G	118-H	128
8	120,000 (68.1)									
10	94,150 (64)	50,000 (71.4)								
12	82,850 (59.8)	50,000 (68.5)	50,000 (73.3)	49,550 (76.4)						
15	69,750 (53.1)	50,000 (64.1)	50,000 (70)	46,500 (73.6)	39,300 (76.4)	27,200 (78.3)				
20	53,150 (40.3)	50,000 (56.2)	47,950 (64.2)	41,500 (68.8)	34,100 (72.5)	25,200 (75)	21,000 (77.2)			
25	36,400 (21.8)	43,800 (47.6)	43,450 (58)	37,150 (63.9)	30,100 (68.4)	22,650 (71.6)	19,400 (74.2)	16,900 (76.2)	13,350 (77.8)	
30		35,000 (37.4)	35,600 (51.3)	33,600 (58.7)	27,100 (64.2)	20,400 (68)	17,800 (71.2)	15,750 (73.5)	13,350 (75.6)	9600 (76.9)
35		*26,350 (23.6)	27,100 (43.9)	27,450 (53.1)	24,600 (59.8)	18,500 (64.3)	16,300 (68)	14,700 (70.8)	12,900 (73.2)	9600 (74.9)
40			21,500 (35.2)	21,850 (47)	22,150 (55.1)	17,050 (60.5)	15,100 (64.8)	13,650 (68)	12,050 (70.8)	9600 (72.8)
45			17,450 (24)	17,800 (40.3)	18,050 (50.1)	15,800 (56.5)	14,000 (61.5)	12,550 (65)	11,300 (68.2)	9600 (70.6)
50				14,750 (32.4)	15,000 (44.7)	14,600 (52.4)	12,850 (58)	11,750 (62)	10,650 (65.9)	9600 (68.4)
55				12,400 (22.2)	12,650 (38.7)	12,850 (47.8)	12,000 (54.4)	10,950 (59.2)	10,000 (63.2)	8750 (66)
60					10,850 (32.4)	11,050 (43.4)	11,250 (50.9)	10,300 (56)	9400 (60.4)	7850 (63.4)
65					9300 (23.9)	9500 (38)	9650 (46.7)	9700 (52.6)	8850 (57.5)	7000 (60.7)
70					*7150 (9.4)	8200 (31.9)	8350 (42.2)	8500 (48.9)	8400 (54.5)	6300 (57.9)
75						7100 (24.4)	7250 (37.3)	7350 (44.9)	7500 (51.2)	5700 (55.1)
80						6100 (13)	6300 (31.7)	6400 (40.6)	6550 (47.7)	5150 (52.1)
85							5450 (24.9)	5600 (35.9)	5700 (44)	4650 (49)
90							4750 (15.4)	4850 (30.6)	4950 (40)	4150 (45.7)
95								4200 (24.2)	4350 (35.6)	3700 (42.2)
100								3650 (15.1)	3750 (30.7)	3300 (38.4)
105									3250 (24.8)	3000 (34.3)
110									2750 (16.9)	2650 (29.6)
115										1900 (23.8)
120										1100 (15.9)
Minimum boom angle (°) for indicated length (no load)									3	11
Maximum boom length (ft) at 0° boom angle (no load)									107	

NOTE: ( ) Boom angles are in degrees.

\*Loads are structurally limited.

#LMI operating code. Refer to LMI manual for operating instructions.

Lifting capacities at zero degree boom angle										
Boom angle	Main boom length in feet									
	31.7	43-A	54-B	64-C	75-D	86-E	97-F	107-G		
0°	17,950 (27.5)	10,000 (38.8)	6850 (49.8)	6100 (59.8)	4250 (70.8)	2850 (81.8)	1750 (92.8)	800 (102.8)		

NOTE: ( ) Reference radii in feet.

80060386

# Load chart

**NBT60: 7,9 m (26 ft) fixed and 7,9 m - 13,7 m (26 ft - 45 ft) offsettable extension, 1361 kg (3000 lb) counterweight, 360°, outriggers 100% extended, (minimum truck)**

Radius in feet	**26 ft LENGTH		45 ft LENGTH	
	#1005	#1007	#1009	#1011
	0° OFFSET	30° OFFSET	0° OFFSET	30° OFFSET
35	5200 (76.9)			
40	5200 (75.3)		3700 (77.3)	
45	5200 (73.6)		3700 (75.8)	
50	5200 (71.9)	4800 (77.4)	3700 (74.4)	
55	5200 (70.1)	4800 (75.6)	3700 (72.9)	
60	5200 (68.4)	4800 (73.7)	3700 (71.4)	
65	5200 (66.7)	4800 (71.7)	3700 (69.9)	2500 (77)
70	4850 (64.7)	4650 (69.7)	3700 (68.4)	2500 (75.2)
75	4500 (62.6)	4400 (67.5)	3700 (66.9)	2500 (73.5)
80	4250 (60.5)	4150 (65.2)	3700 (65.4)	2500 (71.7)
85	3950 (58.3)	4000 (62.9)	3700 (63.8)	2500 (69.8)
90	3800 (56.1)	3800 (60.5)	3550 (61.9)	2500 (67.9)
95	3350 (53.4)	3650 (58.1)	3250 (59.9)	2500 (65.9)
100	2800 (50.8)	3300 (55.2)	3000 (57.8)	2500 (63.9)
105	2300 (48)	2750 (52.2)	2700 (55.6)	2450 (61.7)
110	1850 (45.1)	2250 (49)	2,500 (53.5)	2400 (59.5)
115	1450 (42.1)	1800 (45.7)	2300 (51.2)	2350 (57.1)
120	1100 (38.8)	1350 (42.2)	1900 (48.2)	2300 (54.7)
125	750 (35.4)	1000 (38.5)	1550 (45.5)	2100 (51.7)
130	450 (31.6)	650 (34.2)	1250 (42.8)	1700 (48.5)
135			950 (39.8)	1350 (45.2)
140			700 (36.7)	1000 (41.6)
145			450 (33.3)	700 (37.7)
Min. boom angle for indicated length (no load)	31°	32°	33°	34°
Max. boom length at 0° boom angle (no load)	64 ft		64 ft	

NOTE: ( ) Boom angles are in degrees. 80060394

#LMI operating code. Refer to LMI manual for instructions.

\*\*26 ft capacities are applicable to both 26 ft fixed and 26 ft tele extension.

## BOOM EXTENSION CAPACITY NOTES:

1. All capacities above the bold line are based on structural strength limitations.
2. 26 ft and 45 ft extension lengths may be used for single line lifting service.
3. Radii listed are for a fully extended boom with the boom extension erected. For main boom lengths less than fully extended, the rated loads are determined by boom angle. Use only the column which corresponds to the boom extension length and offset for which the machine is configured. For boom angles not shown, use the rating of the next lower boom angle.  
  
WARNING: Operation of this machine with heavier loads than the capacities listed is strictly prohibited. Machine tipping with boom extension occurs rapidly and without advance warning.
4. Boom angle is the angle above or below horizontal of the longitudinal axis of the boom base section after lifting rated load.
5. Capacities listed are with outriggers properly extended and vertical jacks set only.

# Load chart

**NBT60: 7,9 m (26 ft) fixed and 7,9 m - 13,7 m (26 ft - 45 ft) offsettable extension, 1361 kg (3000 lb) counterweight, over rear, outriggers 100% extended, (minimum truck)**

Radius in feet	**26 ft LENGTH		45 ft LENGTH	
	#1006	#1008	#1010	#1012
	0° OFFSET	30° OFFSET	0° OFFSET	30° OFFSET
35	5200 (76.9)			
40	5200 (75.3)		3700 (77.3)	
45	5200 (73.6)		3700 (75.8)	
50	5200 (71.9)	4800 (77.4)	3700 (74.4)	
55	5200 (70.1)	4800 (75.6)	3700 (72.9)	
60	5200 (68.4)	4800 (73.7)	3700 (71.4)	
65	5200 (66.7)	4800 (71.7)	3700 (69.9)	2500 (77)
70	4850 (64.7)	4650 (69.7)	3700 (68.4)	2500 (75.2)
75	4500 (62.6)	4400 (67.5)	3700 (66.9)	2500 (73.5)
80	4250 (60.5)	4150 (65.2)	3700 (65.4)	2500 (71.7)
85	3950 (58.3)	4000 (62.9)	3700 (63.8)	2500 (69.8)
90	3800 (56.1)	3800 (60.5)	3550 (61.9)	2500 (67.9)
95	3650 (53.8)	3650 (58.1)	3250 (59.9)	2500 (65.9)
100	3150 (51.2)	3350 (55.4)	3000 (57.8)	2,500 (63.9)
105	2600 (48.4)	2900 (52.5)	2700 (55.6)	2450 (61.7)
110	2100 (45.5)	2550 (49.5)	2500 (53.5)	2400 (59.5)
115	1700 (42.5)	2150 (46.3)	2300 (51.2)	2,350 (57.1)
120	1350 (39.3)	1650 (42.7)	2050 (48.7)	2300 (54.7)
125	950 (35.8)	1200 (38.9)	1750 (46)	2250 (52.1)
130	650 (32.1)	850 (34.8)	1500 (43.3)	2000 (49.1)
135		450 (30)	1200 (40.4)	1750 (45.9)
140			900 (37.2)	1350 (42.3)
145			650 (33.9)	900 (38.2)
150				600 (33.9)
Min. boom angle for indicated length (no load)	29°	30°	30°	31°
Max. boom length at 0° boom angle (no load)	64 ft		64 ft	

NOTE: ( ) Boom angles are in degrees.

80060395

#LMI operating code. Refer to LMI manual for instructions.

\*\*26 ft capacities are applicable to both 26 ft fixed and 26 ft telescopic extension.

## BOOM EXTENSION CAPACITY NOTES:

1. All capacities above the bold line are based on structural strength limitations
2. 26ft and 45ft extension lengths may be used for single line lifting service.
3. Radii listed are for a fully extended boom with the boom extension erected. For main boom lengths less than fully extended, the rated loads are determined by boom angle. Use only the column which corresponds to the boom extension length and offset for which the machine is configured. For boom angles not shown, use the rating of the next lower boom angle.  
  
WARNING: Operation of this machine with heavier loads than the capacities listed is strictly prohibited. Machine tipping with boom extension occurs rapidly and without advance warning.
4. Boom angle is the angle above or below horizontal of the longitudinal axis of the boom base section after lifting rated load.
5. Capacities listed are without outriggers properly extended and vertical jacks set only.

# Load chart

**NBT60: 39,01 m (128 ft) boom, 1361 kg (3000 lb) counterweight, 360°, outriggers 50% extended, (minimum truck)**

Radius in feet	#1401									
	Main boom length in feet									
	31.7	43-A	54-B	64-C	75-D	86-E	97-F	107-G	118-H	128
8	120,000 (68.1)									
10	94,150 (64)	50,000 (71.4)								
12	82,850 (59.8)	50,000 (68.5)	50,000 (73.3)	49,550 (76.4)						
15	60,400 (53.1)	50,000 (64.1)	50,000 (70)	46,500 (73.6)	39,300 (76.4)	27,200 (78.3)				
20	32,400 (40.2)	33,550 (56.2)	34,200 (64)	34,650 (68.7)	34,100 (72.5)	25,200 (75)	21,000 (77.2)			
25	20,650 (21.8)	21,750 (47.4)	22,300 (57.8)	22,650 (63.6)	23,000 (68.1)	22,650 (71.6)	19,400 (74.2)	16,900 (76.2)	13,350 (77.8)	
30		15,300 (37.2)	15,800 (51.1)	16,150 (58.3)	16,450 (63.8)	16,700 (67.8)	16,950 (71.1)	15,750 (73.5)	13,350 (75.6)	9600 (76.9)
35		11,150 (25.2)	11,700 (43.7)	12,000 (52.7)	12,250 (59.3)	12,450 (63.9)	12,700 (67.7)	12,900 (70.6)	12,900 (73.2)	9600 (74.9)
40			8850 (36)	9150 (47.3)	9350 (55)	9550 (60.4)	9750 (64.6)	9900 (67.7)	10,100 (70.6)	9600 (72.8)
45			6850 (25.2)	7150 (40.7)	7400 (50.1)	7550 (56.3)	7750 (61.1)	7900 (64.6)	8050 (67.8)	8600 (70.4)
50				5550 (33)	5750 (44.7)	5950 (52.1)	6100 (57.5)	6250 (61.4)	6400 (64.9)	7000 (67.7)
55				4250 (23.1)	4500 (38.8)	4650 (47.6)	4800 (53.8)	4900 (58.1)	5050 (62)	5600 (65)
60					3450 (32)	3600 (42.7)	3750 (49.9)	3850 (54.7)	4000 (59)	4450 (62.3)
65					2600 (23.5)	2750 (37.4)	2900 (45.7)	3000 (51.2)	3100 (56)	3550 (59.5)
70					1850 (9.1)	2050 (31.3)	2150 (41.2)	2250 (47.5)	2350 (52.8)	2750 (56.7)
75						1450 (23.8)	1550 (36.3)	1650 (43.6)	1750 (49.5)	2100 (53.8)
80						900 (12.5)	1000 (30.8)	1100 (39.4)	1200 (46)	1550 (50.7)
85							550 (24.1)	650 (34.7)	750 (42.4)	1050 (47.6)
90										600 (44.2)
Minimum boom angle (°) for indicated length (no load)							22	33	40	44
Maximum boom length (ft) at 0° boom angle (no load)							86			

NOTE: ( ) Boom angles are in degrees.

#LMI operating code. Refer to LMI manual for operating instructions.

Lifting capacities at zero degree boom angle									
Boom angle	Main boom length in feet								
	31.7	43-A	54-B	64-C	75-D	86-E			
0°	17,500 (27.5)	9050 (38.8)	5200 (49.8)	3200 (59.8)	1750 (70.8)	700 (81.8)			

NOTE: ( ) Reference radii in feet.

80060388

# Load chart

**NBT60: 7,9 m (26 ft) fixed and 7,9 m - 13,7 m (26 ft - 45 ft) offsettable extension, 1361 kg (3000 lb) counterweight, 360°, outriggers 50% extended, (minimum truck)**

Radius in feet	**26 ft LENGTH		45 ft LENGTH	
	#1405	#1407	#1409	#1411
	0° OFFSET	30° OFFSET	0° OFFSET	30° OFFSET
35	5200 (77.1)			
40	5200 (75.5)		3700 (77.3)	
45	5200 (73.8)		3700 (75.8)	
50	5200 (72.2)	4800 (77.4)	3700 (74.4)	
55	5050 (70.1)	4800 (75.6)	3700 (72.9)	
60	3900 (67.8)	4800 (73.7)	3700 (71.4)	
65	3000 (65.5)	4200 (71.2)	3700 (69.9)	2500 (77)
70	2200 (63.2)	3200 (68.6)	3250 (67.9)	2500 (75.2)
75	1550 (60.9)	2400 (66)	2550 (65.8)	2500 (73.5)
80	950 (58.5)	1750 (63.5)	1850 (63.6)	2500 (71.7)
85	500 (56.1)	1150 (60.8)	1350 (61.5)	2500 (69.8)
90		650 (58.2)	900 (59.3)	2050 (67.3)
95			500 (57.1)	1500 (64.7)
100				1000 (62.1)
105				600 (59.6)
Min. boom angle for indicated length (no load)	56°	58°	57°	59°
Max. boom length at 0° boom angle (no load)	64 ft		64 ft	

NOTE: ( ) Boom angles are in degrees. 80060396

#LMI operating code. Refer to LMI manual for instructions.

\*\*26 ft capacities are applicable to both 26 ft fixed and 26 ft tele extension.

## BOOM EXTENSION CAPACITY NOTES:

1. All capacities above the bold line are based on structural strength limitations.
2. 26ft and 45ft extension lengths may be used for single line lifting service.
3. Radii listed are for a fully extended boom with the boom extension erected. For main boom lengths less than fully extended, the rated loads are determined by boom angle. Use only the column which corresponds to the boom extension length and offset for which the machine is configured. For boom angles not shown, use the rating of the next lower boom angle.  
  
WARNING: Operation of this machine with heavier loads than the capacities listed is strictly prohibited. Machine tipping with boom extension occurs rapidly and without advance warning.
4. Boom angle is the angle above or below horizontal of the longitudinal axis of the boom base section after lifting rated load.
5. Capacities listed are with outriggers properly extended and vertical jacks set only

# Load chart

**NBT60: 39,01 m (128 ft) boom, 1361 kg (3000 lb) counterweight, 360°, outriggers 0% extended, (minimum truck)**

Radius in feet	#1801									
	Main boom length in feet									
	31.7	43-A	54-B	64-C	75-D	86-E	97-F	107-G	118-H	128
8	63,400 (68)									
10	40,250 (64)	41,450 (71.3)								
12	28,500 (59.8)	29,550 (68.4)	30,200 (73.2)	30,650 (76.1)						
15	18,850 (53.1)	19,750 (63.9)	20,300 (69.7)	20,650 (73.2)	21,000 (76)	21,300 (78.1)				
20	10,700 (41.6)	11,550 (56.1)	12,000 (63.8)	12,300 (68.3)	12,550 (71.8)	12,800 (74.5)	13,050 (76.7)			
25	6500 (24.2)	7350 (48.3)	7800 (58.2)	8100 (63.8)	8300 (68.1)	8300 (71.2)	8450 (73.7)	8650 (75.6)	8850 (77.4)	
30		4650 (38.3)	5100 (51.6)	5350 (58.6)	5550 (63.8)	5700 (67.5)	5850 (70.5)	6000 (72.7)	6150 (74.8)	6300 (76.3)
35		2750 (25.2)	3200 (44.3)	3450 (53.1)	3650 (59.3)	3800 (63.8)	3950 (67.2)	4050 (69.7)	4150 (72)	4300 (73.8)
40			1850 (35.9)	2100 (47.1)	2300 (54.7)	2450 (59.9)	2550 (63.9)	2650 (66.7)	2750 (69.3)	2850 (71.3)
45			800 (25.1)	1100 (40.5)	1250 (49.8)	1400 (55.9)	1500 (60.4)	1600 (63.7)	1700 (66.6)	1750 (68.7)
50						600 (51.7)	700 (56.9)	800 (60.5)	850 (63.8)	900 (66.2)
Minimum boom angle (°) for indicated length (no load)			19	35	45	51	56	59	62	65
Maximum boom length (ft) at 0° boom angle (no load)			43							

NOTE: ( ) Boom angles are in degrees.

#LMI operating code. Refer to LMI manual for operating instructions.

Lifting capacities at zero degree boom angle										
Boom angle	Main boom length in Feet									
	31.7	43-A								
0°	5,150 (27.5)	1,600 (38.8)								

NOTE: ( ) Reference radii in feet.

80060392



# Load chart

**NBT60: 39,01 m (128 ft) boom, 0 kg (0 lb) counterweight, 360°, outriggers 100% extended, (minimum truck)**

Radius in feet	#8001									
	Main boom length in feet									
	31.7	43-A	54-B	64-C	75-D	86-E	97-F	107-G	118-H	128
8	120,000 (68.1)									
10	94,150 (64)	50,000 (71.4)								
12	82,850 (59.8)	50,000 (68.5)	50,000 (73.3)	49,550 (76.4)						
15	69,750 (53.1)	50,000 (64.1)	50,000 (70)	46,500 (73.6)	39,300 (76.4)	27,200 (78.3)				
20	53,150 (40.3)	50,000 (56.2)	47,950 (64.2)	41,500 (68.8)	34,100 (72.5)	25,200 (75)	21,000 (77.2)			
25	36,400 (21.8)	43,400 (47.6)	43,450 (58)	37,150 (63.9)	30,100 (68.4)	22,650 (71.6)	19,400 (74.2)	16,900 (76.2)	13,350 (77.8)	
30		29,550 (37.3)	30,250 (51.3)	30,650 (58.6)	27,100 (64.2)	20,400 (68)	17,800 (71.2)	15,750 (73.5)	13,350 (75.6)	9600 (76.9)
35		21,700 (23.6)	22,350 (43.8)	22,650 (53)	23,000 (59.7)	18,500 (64.3)	16,300 (68)	14,700 (70.8)	12,900 (73.2)	9600 (74.9)
40			17,200 (35.2)	17,600 (46.9)	17,850 (54.9)	17,050 (60.5)	15,100 (64.8)	13,650 (68)	12,050 (70.8)	9600 (72.8)
45			13,650 (24)	14,000 (40.2)	14,250 (49.9)	14,450 (56.4)	14,000 (61.5)	12,550 (65)	11,300 (68.2)	9600 (70.6)
50				11,300 (32.3)	11,600 (44.5)	11,750 (52.1)	11,950 (57.9)	11,750 (62)	10,650 (65.9)	9600 (68.4)
55				9400 (23.3)	9650 (39.1)	9850 (48)	10,050 (54.5)	10,200 (59.1)	10,000 (63.2)	8750 (66)
60					8000 (32.3)	8200 (43.1)	8350 (50.5)	8500 (55.6)	8700 (60.2)	7850 (63.4)
65					6650 (23.7)	6850 (37.8)	7000 (46.3)	7150 (52.1)	7300 (57.1)	7000 (60.7)
70					5550 (9.3)	5750 (31.6)	5900 (41.8)	6050 (48.3)	6150 (53.9)	6300 (57.9)
75						4800 (24.1)	4950 (36.9)	5100 (44.4)	5200 (50.5)	5300 (54.9)
80						4000 (12.8)	4150 (31.3)	4300 (40.1)	4400 (47)	4500 (51.9)
85							3450 (24.6)	3600 (35.4)	3700 (43.3)	3750 (48.6)
90							2850 (15.1)	2950 (30.1)	3050 (39.3)	3150 (45.3)
95								2450 (23.7)	2550 (35)	2600 (41.7)
100								1950 (14.7)	2050 (30.1)	2150 (37.9)
105									1650 (24.2)	1700 (33.7)
110									1250 (16.4)	1300 (29)
115										950 (23.3)
120										650 (15.7)
Minimum boom angle (°) for indicated length (no load)									3	11
Maximum boom length (ft) at 0° boom angle (no load)									107	

NOTE: ( ) Boom angles are in degrees.  
#LMI operating code. Refer to LMI manual for operating instructions.

Lifting capacities at zero degree boom angle										
Boom angle	Main boom length in feet									
	31.7	43-A	54-B	64-C	75-D	86-E	97-F	107-G		
0°	17,950 (27.5)	10,000 (38.8)	6850 (49.8)	6100 (59.8)	4250 (70.8)	2850 (81.8)	1750 (92.8)	800 (102.8)		

NOTE: ( ) Reference radii in feet.

80060397

# Load chart

**NBT60: 39,01 m (128 ft) boom, 0 kg (0 lb) counterweight, over rear, outriggers 100% extended, (minimum truck)**

Radius in feet	#8003									
	Main boom length in feet									
	31.7	43-A	54-B	64-C	75-D	86-E	97-F	107-G	118-H	128
8	120,000 (68.1)									
10	94,150 (64)	50,000 (71.4)								
12	82,850 (59.8)	50,000 (68.5)	50,000 (73.3)	49,550 (76.4)						
15	69,750 (53.1)	50,000 (64.1)	50,000 (70)	46,500 (73.6)	39,300 (76.4)	27,200 (78.3)				
20	53,150 (40.3)	50,000 (56.2)	47,950 (64.2)	41,500 (68.8)	34,100 (72.5)	25,200 (75)	21,000 (77.2)			
25	36,400 (21.8)	43,800 (47.6)	43,450 (58)	37,150 (63.9)	30,100 (68.4)	22,650 (71.6)	19,400 (74.2)	16,900 (76.2)	13,350 (77.8)	
30		31,550 (37.3)	32,150 (51.3)	32,550 (58.7)	27,100 (64.2)	20,400 (68)	17,800 (71.2)	15,750 (73.5)	13,350 (75.6)	9600 (76.9)
35		23,750 (23.6)	24,350 (43.8)	24,700 (53)	24,600 (59.8)	18,500 (64.3)	16,300 (68)	14,700 (70.8)	12,900 (73.2)	9600 (74.9)
40			19,200 (35.2)	19,500 (47)	19,800 (55)	17,050 (60.5)	15,100 (64.8)	13,650 (68)	12,050 (70.8)	9600 (72.8)
45			15,450 (24)	15,800 (40.2)	16,050 (50)	15,800 (56.5)	14,000 (61.5)	12,550 (65)	11,300 (68.2)	9600 (70.6)
50				13,000 (32.4)	13,250 (44.6)	13,450 (52.3)	12,850 (58)	11,750 (62)	10,650 (65.9)	9600 (68.4)
55				10,950 (23.3)	11,200 (39.2)	11,300 (47.7)	11,450 (54.3)	10,950 (59.2)	10,000 (63.2)	8750 (66)
60					9500 (32.4)	9650 (43.3)	9850 (50.7)	10,000 (55.9)	9400 (60.4)	7850 (63.4)
65					8050 (23.8)	8250 (37.9)	8400 (46.5)	8550 (52.3)	8700 (57.5)	7000 (60.7)
70					6800 (9.3)	7050 (31.8)	7200 (42)	7300 (48.6)	7450 (54.2)	6300 (57.9)
75						6000 (24.2)	6200 (37.1)	6300 (44.6)	6400 (50.9)	5700 (55.1)
80						5150 (12.9)	5300 (31.5)	5400 (40.4)	5550 (47.4)	5150 (52.1)
85							4550 (24.8)	4650 (35.7)	4750 (43.7)	4650 (49)
90							3850 (15.3)	4000 (30.4)	4100 (39.7)	4150 (45.7)
95								3400 (24)	3500 (35.3)	3600 (42.2)
100								2850 (14.9)	3000 (30.4)	3050 (38.3)
105									2500 (24.6)	2600 (34.1)
110									2100 (16.7)	2150 (29.4)
115										1750 (23.7)
120										*1100 (15.9)
Minimum boom angle (°) for indicated length (no load)									3	11
Maximum boom length (ft) at 0° boom angle (no load)									107	

NOTE: ( ) Boom angles are in degrees.

\*Loads are structurally limited.

#LMI operating code. Refer to LMI manual for operating instructions.

Boom angle	Lifting capacities at zero degree boom angle									
	Main boom length in feet									
	31.7	43-A	54-B	64-C	75-D	86-E	97-F	107-G		
0°	17,950 (27.5)	10,000 (38.8)	6850 (49.8)	6100 (59.8)	4250 (70.8)	2850 (81.8)	1750 (92.8)	800 (102.8)		

NOTE: ( ) Reference radii in feet.

80060401

THIS CHART IS ONLY A GUIDE AND SHOULD NOT BE USED TO OPERATE THE CRANE.

The individual crane's load chart, operating instructions and other instructional plates must be read and understood prior to operating the crane.

# Load chart

**NBT60: 7,9 m (26 ft) fixed and 7,9 m - 13,7 m (26 ft - 45 ft) offsettable extension, 0 kg (0 lb) counterweight, 360°, outriggers 100% extended, (minimum truck)**

Radius in feet	**26 ft LENGTH		45 ft LENGTH	
	#8005	#8007	#8009	#8011
	0° OFFSET	30° OFFSET	0° OFFSET	30° OFFSET
35	5200 (76.9)			
40	5200 (75.3)		3700 (77.3)	
45	5200 (73.6)		3700 (75.8)	
50	5200 (71.9)	4800 (77.4)	3700 (74.4)	
55	5200 (70.1)	4800 (75.6)	3700 (72.9)	
60	5200 (68.4)	4800 (73.7)	3700 (71.4)	
65	5200 (66.7)	4800 (71.7)	3700 (69.9)	2500 (77)
70	4850 (64.7)	4650 (69.7)	3700 (68.4)	2500 (75.2)
75	4500 (62.6)	4400 (67.5)	3700 (66.9)	2500 (73.5)
80	4250 (60.5)	4150 (65.2)	3700 (65.4)	2500 (71.7)
85	3650 (57.9)	4000 (62.9)	3700 (63.8)	2500 (69.8)
90	3000 (55.4)	3650 (60.2)	3550 (61.9)	2500 (67.9)
95	2400 (52.8)	3000 (57.4)	3250 (59.9)	2500 (65.9)
100	1900 (50.2)	2450 (54.6)	2800 (57.5)	2500 (63.9)
105	1450 (47.4)	1900 (51.6)	2300 (54.9)	2450 (61.7)
110	1050 (44.5)	1450 (48.5)	1900 (52.5)	2400 (59.5)
115	700 (41.5)	1050 (45.2)	1500 (50)	2200 (56.8)
120		650 (41.7)	1150 (47.4)	1800 (53.9)
125			850 (44.8)	1400 (51)
130			550 (42)	1050 (47.8)
135				700 (44.5)
Min. boom angle for indicated length (no load)	39°	40°	41°	42°
Max. boom length at 0° boom angle (no load)	64 ft		64 ft	

NOTE: ( ) Boom angles are in degrees. 80060409

#LMI operating code. Refer to LMI manual for instructions.

\*\*26 ft capacities are applicable to both 26 ft fixed and 26 ft tele extension.

## BOOM EXTENSION CAPACITY NOTES:

1. All capacities above the bold line are based on structural strength limitations.
2. 26 ft. and 45 ft. extension lengths may be used for single line lifting service.
3. Radii listed are for a fully extended boom with the boom extension erected. For main boom lengths less than fully extended, the rated loads are determined by boom angle. Use only the column which corresponds to the boom extension length and offset for which the machine is configured. For boom angles not shown, use the rating of the next lower boom angle.  
  
WARNING: Operation of this machine with heavier loads than the capacities listed is strictly prohibited. Machine tipping with boom extension occurs rapidly and without advance warning.
4. Boom angle is the angle above or below horizontal of the longitudinal axis of the boom base section after lifting rated load.
5. Capacities listed are with outriggers properly extended and vertical jacks set only.

# Load chart

**NBT60: 7,9 m (26 ft) fixed and 7,9 m - 13,7 m (26 ft - 45 ft) offsettable extension, 0 kg (0 lb) counterweight, over rear, outriggers 100% extended, (minimum truck)**

Radius in feet	26 ft LENGTH		45 ft LENGTH	
	#8006	#8008	#8010	#8012
	0° OFFSET	30° OFFSET	0° OFFSET	30° OFFSET
35	5200 (76.9)			
40	5200 (75.3)		3700 (77.3)	
45	5200 (73.6)		3700 (75.8)	
50	5200 (71.9)	4800 (77.4)	3700 (74.4)	
55	5200 (70.1)	4800 (75.6)	3700 (72.9)	
60	5200 (68.4)	4800 (73.7)	3700 (71.4)	
65	5200 (66.7)	4800 (71.7)	3700 (69.9)	2500 (77)
70	4850 (64.7)	4650 (69.7)	3700 (68.4)	2500 (75.2)
75	4500 (62.6)	4400 (67.5)	3700 (66.9)	2500 (73.5)
80	4250 (60.5)	4150 (65.2)	3700 (65.4)	2500 (71.7)
85	3950 (58.3)	4000 (62.9)	3700 (63.8)	2500 (69.8)
90	3800 (56.1)	3800 (60.5)	3550 (61.9)	2500 (67.9)
95	3400 (53.5)	3650 (58.1)	3250 (59.9)	2500 (65.9)
100	2850 (50.8)	3300 (55.2)	3000 (57.8)	2500 (63.9)
105	2350 (48)	2750 (52.2)	2700 (55.6)	2450 (61.7)
110	1900 (45.1)	2300 (49.1)	2500 (53.5)	2400 (59.5)
115	1550 (42.1)	1850 (45.8)	2300 (51.2)	2350 (57.1)
120	1150 (38.9)	1450 (42.3)	1950 (48.3)	2300 (54.7)
125	850 (35.4)	1050 (38.5)	1600 (45.6)	2150 (51.7)
130	550 (31.6)	700 (34.3)	1300 (42.8)	1750 (48.6)
135			1000 (39.9)	1400 (45.3)
140			750 (36.8)	1050 (41.6)
145			500 (33.4)	750 (37.8)
150				450 (33.4)
Min. boom angle for indicated length (no load)	30°	31°	33°	33°
Max. boom length at 0° boom angle (no load)	64 ft		64 ft	

NOTE: ( ) Boom angles are in degrees. 80060410

#LMI operating code. Refer to LMI manual for instructions.

26 ft capacities are applicable to both 26 ft fixed and 26 ft tele extension.

## BOOM EXTENSION CAPACITY NOTES:

- All capacities above the bold line are based on structural strength limitations
  - 26ft and 45ft extension lengths may be used for single line lifting service.
  - Radii listed are for a fully extended boom with the boom extension erected. For main boom lengths less than fully extended, the rated loads are determined by boom angle. Use only the column which corresponds to the boom extension length and offset for which the machine is configured. For boom angles not shown, use the rating of the next lower boom angle.
- WARNING: Operation of this machine with heavier loads than the capacities listed is strictly prohibited. Machine tipping with boom extension occurs rapidly and without advance warning.
- Boom angle is the angle above or below horizontal of the longitudinal axis of the boom base section after lifting rated load.
  - Capacities listed are with outriggers properly extended and vertical jacks set only.

# Load chart

**NBT60: 39,01 m (128 ft) boom, 0 kg (0 lb) counterweight, 360°, outriggers 50% extended, (minimum truck)**

Radius in feet	#8401									
	Main boom length in feet									
	31.7	43-A	54-B	64-C	75-D	86-E	97-F	107-G	118-H	128
8	120,000 (68.1)									
10	94,150 (64)	50,000 (71.4)								
12	82,850 (59.8)	50,000 (68.5)	50,000 (73.3)	49,550 (76.4)						
15	52,350 (53.1)	50,000 (64.1)	50,000 (70)	46,500 (73.6)	39,300 (76.4)	27,200 (78.3)				
20	27,650 (40.2)	28,800 (56.2)	29,450 (64)	29,850 (68.6)	30,300 (72.3)	25,200 (75)	21,000 (77.2)			
25	17,300 (21.8)	18,400 (47.4)	18,950 (57.7)	19,300 (63.5)	19,600 (68)	19,900 (71.4)	19,400 (74.2)	16,900 (76.2)	13,350 (77.8)	
30		12,700 (37.2)	13,200 (51)	13,550 (58.2)	13,800 (63.7)	14,050 (67.6)	14,300 (70.9)	14,550 (73.4)	13,350 (75.6)	9600 (76.9)
35		9050 (25.2)	9550 (44.4)	9850 (53.2)	10,100 (59.6)	10,300 (64.2)	10,500 (67.8)	10,700 (70.5)	10,950 (73.1)	9600 (74.9)
40			7200 (36)	7450 (47.3)	7700 (54.9)	7900 (60.3)	8050 (64.4)	8250 (67.5)	8450 (70.3)	9600 (72.8)
45			5300 (25.2)	5600 (40.6)	5850 (50)	6000 (56.2)	6150 (60.9)	6300 (64.4)	6450 (67.5)	6600 (69.9)
50				4200 (33)	4400 (44.6)	4550 (52)	4700 (57.3)	4850 (61.2)	4950 (64.6)	5100 (67.2)
55				3050 (23.1)	3250 (38.7)	3450 (47.5)	3550 (53.6)	3700 (57.9)	3800 (61.7)	3900 (64.6)
60					2350 (31.9)	2500 (42.6)	2650 (49.7)	2750 (54.5)	2850 (58.8)	2950 (61.9)
65					1600 (23.4)	1750 (37.3)	1900 (45.6)	1950 (51)	2050 (55.7)	2150 (59.1)
70					950 (9.1)	1100 (31.2)	1250 (41.1)	1350 (47.3)	1400 (52.5)	1500 (56.3)
75						550 (23.7)	700 (36.2)	800 (43.4)	850 (49.2)	950 (53.4)
Minimum boom angle (°) for indicated length (no load)						21	34	41	47	51
Maximum boom length (ft) at 0° boom angle (no load)						75				

NOTE: ( ) Boom angles are in degrees.

#LMI operating code. Refer to LMI manual for operating instructions.

Lifting capacities at zero degree boom angle										
Boom angle	Main boom length in feet									
	31.7	43-A	54-B	64-C	75-D					
0°	14,500 (27.5)	7050 (38.8)	3850 (49.8)	2100 (59.8)	850 (70.8)					

NOTE: ( ) Reference radii in feet.

80060403

# Load chart

**NBT60: 7,9 m (26 ft) fixed and 7,9 m - 13,7 m (26 ft - 45 ft) offsettable extension, 0 kg (0 lb) counterweight, 360°, outriggers 50% extended, (minimum truck)**

Radius in feet	**26 ft LENGTH		45 ft LENGTH	
	#8405	#8407	#8409	#8411
	0° OFFSET	30° OFFSET	0° OFFSET	30° OFFSET
35	5200 (76.9)			
40	5200 (75.3)		3700 (77.3)	
45	5200 (73.6)		3700 (75.8)	
50	4950 (71.8)	4800 (77.4)	3700 (74.4)	
55	3750 (69.6)	4800 (75.6)	3700 (72.9)	
60	2700 (67.3)	4100 (73.1)	3700 (71.4)	
65	1900 (65.1)	3000 (70.5)	2900 (69.3)	2500 (77)
70	1200 (62.8)	2200 (68)	2150 (67.2)	2500 (75.2)
75	600 (60.4)	1450 (65.4)	1500 (65)	2500 (73.5)
80		850 (62.9)	1000 (63)	2400 (71.4)
85			500 (60.8)	1750 (68.9)
90				1200 (66.4)
95				750 (63.9)
Min. boom angle for indicated length (no load)	60°	61°	60°	63°
Max. boom length at 0° boom angle (no load)	54 ft		54 ft	

NOTE: ( ) Boom angles are in degrees.

800604II

#LMI operating code. Refer to LMI manual for instructions.

\*\*26 ft capacities are applicable to both 26 ft fixed and 26 ft tele extension.

## BOOM EXTENSION CAPACITY

### NOTES:

- All capacities above the bold line are based on structural strength limitations.
- 26ft and 45ft extension lengths may be used for single line lifting service.
- Radii listed are for a fully extended boom with the boom extension erected. For main boom lengths less than fully extended, the rated loads are determined by boom angle. Use only the column which corresponds to the boom extension length and offset for which the machine is configured. For boom angles not shown, use the rating of the next lower boom angle.  
  
WARNING: Operation of this machine with heavier loads than the capacities listed is strictly prohibited. Machine tipping with boom extension occurs rapidly and without advance warning.
- Boom angle is the angle above or below horizontal of the longitudinal axis of the boom base section after lifting rated load.
- Capacities listed are with outriggers properly extended and vertical jacks set only

# Load chart

**NBT60: 39,01 m (128 ft) boom, 0 kg (0 lb) counterweight, 360°, outriggers 0% extended, (minimum truck)**

Radius in Feet	#8801									
	Main boom length in feet									
	31.7	43-A	54-B	64-C	75-D	86-E	97-F	107-G	118-H	128
8	52,400 (68)									
10	32,850 (64)	34,050 (71.3)								
12	22,950 (59.8)	24,000 (68.4)	24,650 (73.1)	25,050 (76)						
15	14,800 (53.1)	15,700 (63.9)	16,250 (69.7)	16,600 (73.1)	16,950 (75.9)	17,200 (78)				
20	8100 (41.6)	8750 (56.9)	9200 (64.4)	9500 (68.8)	9700 (72.2)	9950 (74.7)	10,150 (76.8)			
25	4350 (24.2)	5200 (48.3)	5650 (58.2)	5950 (63.8)	6150 (68)	6300 (71.1)	6500 (73.6)	6650 (75.5)	6800 (77.2)	
30		2900 (38.3)	3350 (51.6)	3600 (58.6)	3800 (63.7)	3950 (67.5)	4100 (70.4)	4200 (72.5)	4350 (74.5)	4450 (76)
35		1300 (25.2)	1750 (44.3)	2000 (53)	2200 (59.3)	2350 (63.7)	2,450 (67.1)	2550 (69.6)	2650 (71.8)	2750 (73.5)
40			600 (35.9)	850 (47.1)	1050 (54.6)	1150 (59.8)	1300 (63.8)	1350 (66.6)	1450 (69.1)	1550 (71)
45									550 (66.4)	600 (68.5)
Minimum boom angle (°) for indicated length (no load)		23	35	45	52	57	61	64	66	68
Maximum boom length (ft.) at 0° boom angle (no load)	32									

NOTE: ( ) Boom angles are in degrees.  
#LMI operating code. Refer to LMI manual for operating instructions.

Lifting capacities at zero degree boom angle										
Boom angle	Main boom length in feet									
	31.7									
0°	3200 (27.5)									

NOTE: ( ) Reference radii in feet.

80060407

# Accessories

## **Radio Remote Controls –**

Eliminate the handling and maintenance concerns that accompany cabled remotes. Operate to a range of about 76 m (250 ft), varying with conditions. Remote transmitter displays LMI information on LCD screen.

• NB6R

## **Personnel Baskets –**

One and two person baskets, gravity hung with swing lock and full body harness. Fast attachment and secure locking systems. Ratings from 181 kg (400 lb) to 544 kg (1200 lb). \*Must be used with jib.

• BSA-1  
• BSA-R1  
• BSAY-2

## **Calibration for customer jib**

• CJIB

## **Auxiliary Winch –**

Second winch redundant to the main, 15,000 lb gear set, two-speed piston motor, cable packer, grooved drum, DRI/LLI standard with 5/8 in Dyform 34LR wire rope

• AW

## **Spanish-Language Danger Decals, Control Knobs, and Operators' Manuals**

• SDD  
• SOM

## **Rotation Bearing Lock**

Manual applied lock on rotation bearing (360° positioning)

•MRL

## **Metric Capacity Charts**

•MCC

## **Dual-Axis Electronic Joysticks**

In place of single-axis joysticks

•DAJS

## **Special Paint**

One color in lieu of standard paint color-non metallic

•SPECIAL PAINT

## **Auxiliary access step**

•AAS





# Notes



## Manitowoc Cranes

### Regional headquarters

#### Americas

**Manitowoc, Wisconsin, USA**

Tel: +1 920 684 6621

Fax: +1 920 683 6277

**Shady Grove, Pennsylvania, USA**

Tel: +1 717 597 8121

Fax: +1 717 597 4062

#### Europe, Middle East, Africa

**Ecully, France**

Tel: +33 (0)4 72 18 20 20

Fax: +33 (0)4 72 18 20 00

#### China

**Shanghai, China**

Tel: +86 21 6457 0066

Fax: +86 21 6457 4955

#### Greater Asia-Pacific

**Singapore**

Tel: +65 6264 1188

Fax: +65 6862 4040

### Regional offices

#### Americas

**Brazil**

Alphaville

**Mexico**

Monterrey

**Chile**

Santiago

#### Europe, Middle East,

**Africa**

**France**

Baudemont

Cergy

Decines

**Germany**

Langenfeld

**Italy**

Lainate

**Netherlands**

Breda

**Poland**

Warsaw

**Portugal**

Baltar

**Russia**

Moscow

**South Africa**

Johannesburg

**U.A.E.**

Dubai

**U.K.**

Buckingham

#### China

Beijing

Chengdu

Guangzhou

Xian

#### Greater Asia-Pacific

**Australia**

Brisbane

Melbourne

Sydney

**India**

Chennai

Delhi

Hyderabad

Pune

**Korea**

Seoul

**Philippines**

Makati City

**Singapore**

### Factories

**Brazil**

Passo Fundo

**China**

TaiAn

Zhangjiagang

**France**

Charlieu

Moulins

**Germany**

Wilhelmshaven

**India**

Pune

**Italy**

Niella Tanaro

**Portugal**

Baltar

Fânzeres

**USA**

Manitowoc

Port Washington

Shady Grove

This document is non-contractual. Constant improvement and engineering progress make it necessary that we reserve the right to make specification, equipment, and price changes without notice. Illustrations shown may include optional equipment and accessories and may not include all standard equipment.