

# Grove GMK5275

## Product Guide

### Features

- 220 t (275 Ust) capacity
- 13,3 m - 68 m (44 ft - 223 ft) seven-section full-power MEGAFORM™ boom with TWIN-LOCK™ pinning
- 12 m - 21 m (39 ft - 69 ft) hydraulic offset bi-fold swingaway and 2 x 8 m (26 ft) intermediate lattice inserts
- Mercedes-Benz OM502LA, six cylinder, 405 kW (543 HP) at 1800 rpm, max torque 2600 Nm (1918 ft/lb) at 1300 rpm (Tier 4i)  
  
\*Alternate engine: Mercedes-Benz OM502LA, eight cylinder, 420 kW (563 HP) at 1800 rpm, max torque 2700 Nm (1991 ft/lb) at 1200 rpm (Tier 3)
- MEGATRAK™ independent hydro-pneumatic suspension
- Allison transmission



# Features

## MEGATRAK™

The MEGATRAK™ suspension system is the best off road driveline available on the market today. The system's versatility and performance allows the GMK5275 to operate as a true all-terrain crane. The MEGATRAK™ independent suspension and all-wheel steer system allows wheels to remain on the ground at all times so stresses and weight are not continually transferred between axles. MEGATRAK™ provides true ground clearance where others just raise the chassis.

Other benefits of the MEGATRAK™ system are:

- A reliable suspension system
- Excellent job site maneuverability with all-wheel steering
- Commonality among almost all models
- A driveline that remains aligned at all times
- A steering linkage system that is protected against damage
- Constant tire contact for equal tire wear
- Reduced maintenance



## TWIN-LOCK™

Boom pinning mechanism automatically pins the sections in position using two horizontal pins.



## CraneSTAR

CraneSTAR is an exclusive and innovative crane asset management system that helps improve your profitability and reduce costs by remotely monitoring critical crane data. Visit [www.cranestar.com](http://www.cranestar.com) for more information.

## ECOS

Electronic Crane Operating System - ECOS enables control of the entire crane's principle operations. Simple programming eases lift planning and a supply of essential information allows full concentration on the lift itself.



## EKS 5

The EKS 5 monitors the lifting conditions of the crane at all times and provides a full graphic display, rear lighting, graphic of boom telescoping percentage, and load charts.



# Contents

Specifications	4
Dimensions / weights (Tier 3)	7
Dimensions / weights (Tier 4i)	9
Counterweight	11
Working range (main boom)	12
Load charts (main boom)	13
Working range (swingaway)	16
Load charts (hydraulically offsettable swingaway)	17
Working range (heavy duty jib)	20
Load charts (heavy duty jib)	21
Symbols glossary	23

# Specifications

## Superstructure

### Boom

13,3 m - 68 m (44 ft - 223 ft) seven-section, full power MEGAFORM™ boom with TWIN-LOCK™ Pinning.

Maximum tip height: 71 m (233 ft).

### Boom nose

Eight nylatron sheaves, mounted on heavy duty tapered roller bearings with removable pin-type rope guards. Quick reeve boom nose. Removable auxiliary boom nose with removable pin type rope guard.

### Boom elevation

Single lift cylinder with safety valve provides boom angle from -1.5° to +83°.

### \*Hydraulic offsettable lattice extension

12 m - 21 m (39 ft - 69 ft) bi-fold lattice swingaway extension, hydraulically offsettable and luffing under load, 5° - 40°. Maximum tip height: 92 m (302 ft)

### \*Lattice inserts

2 x 8 m (26 ft) inserts for use with lattice swingaway extension to increase length to 29 m (95 ft) or 37 m (121 ft) Maximum tip height: 108 m (354 ft)

### Load moment and anti-two block system

Load moment and anti-two block system with audio/visual warning and control lever lockout provides electronic display of boom angle, length, radius, tip height, relative load moment, maximum permissible load, load indication and warning of impending two-block condition.

### Cab

All aluminum constructed cab with acoustical lining, hydraulic tilted to 20°. Includes tinted safety glass, adjustable operator's seat, opening windows at side and rear, hinged windshield with wiper, sun visor and window shade. Other features include hot water heater/defroster, armrest integrated crane controls and ergonomically arranged instrumentation.

### Swing

3 planetary gear boxes with fixed displacement axial piston motors. Infinitely variable to 1.3 rpm. Free swing or hydrostatically engaged brake controlled by swing lever. Swing brake selected by foot operated switch.

### Counterweight

77 t (169,700 lb) consisting of various sections with hydraulic installation/removal system controlled from the superstructure cab.

### Engine

Mercedes-Benz OM924LA, diesel, 4-cylinders, water cooled, turbocharged 150 kW (201 HP) at 2200 rpm (80/1269 EWG - fan rigid). Max torque: 800 Nm (590 ft lb) at 1200 rpm. Fuel tank capacity: integrated in carrier fuel reservoir.

Engine transmission: Tier 4i / EPA / CARB (non-road).

\*\*Mercedes-Benz OM 906LA, diesel, 6-cylinders, water cooled, turbocharged, 170 kW (228 HP) at 2200 rpm (80/1269 EWG - fan rigid). Max. torque: 810 Nm (597 ft lb) at 1200 rpm. Fuel tank capacity: integrated in carrier fuel reservoir

Enging emission: Tier 3 / EPA / CARB (non-road).

### Electrical system

3 phase alternator: 28V/80A

2 batteries: 12V/170Ah

### Hydraulic system

Three separate circuits, two axial piston variable displacement pumps with electronic power limiting control and one axial piston variable displacement pump for slewing. Thermostatically controlled oil cooler. Tank capacity: 870 L (230 gal).

\*\*Two seperate circuits, one axial piston variable displacement pump (load sensing), with electronic power limiting control and one double gear pump for slewing. Thermostatically controlled oil cooler. Tank capacity 916 L (242 gal).

# Specifications



## Hoist

Main and auxiliary hoist are powered by axial piston motor with planetary gear and brake. "Thumb-thumper" hoist drum rotation indicator alerts operator of hoist movement.

	Main	Auxiliary
Rope length:	290 m (951 ft)	290 m (951 ft)
Rope diameter:	22 mm	22 mm
Line speed:	125 m/min (410 fpm)	125 m/min (410 fpm)
Line pull:	93.5 kN (21,020 lb)	93.5 kN (21,020 lb)

### \*Optional hookblocks

Lifting capacity	Sheaves	Weight	Parts of line	Possible load with the crane
200 t (220 USt)	9	2400 kg (5291 lb)	2-16	160 t/170 t* (176 USt/187 USt*)
160 t (176 USt)	7	1750 kg (3858 lb)	2-15	135 t (182 USt)
125 t (138 USt)	5	1650 kg (3638 lb)	2-11	100 t (110 USt)
80 t (88 USt)	3	950 kg (2094 lb)	1-7	65 t (72 USt)
32 t** (35 USt)	1	600 kg (1323 lb)	1-3	28 t (31 USt)
12 t*** (13.2 USt)	H/B	300 kg (661 lb)	1	9,5 t (10.5 USt)

\* Requires additional boom nose sheave

\*\* Required for overhaul of single part line with boom/jib lengths in excess of 64 m (210 ft)

\*\*\* Overhaul weight designed for a maximum of 64 m (210 ft) boom/jib lengths

### \*Optional equipment

- ▶ Work lights, mounted on boom base section
- ▶ Boom mounted aircraft warning light
- ▶ Radio/CD player for superstructure cab
- ▶ Stainless steel exhaust system with spark arrestor
- ▶ Air conditioning
- ▶ Hook blocks/headache ball
- ▶ Engine independent diesel cab heater, with engine pre-heater. Includes 24 hour timer.
- ▶ Additional cab mounted work light

- ▶ Strobe light
- ▶ Working range limiter
- ▶ Data logger
- ▶ 360° NYC swing lock
- ▶ 2,0 m (6.6 ft) side stowed heavy duty jib with 19 t (41,900 lb) maximum capacity using two parts of line, offset 0° and 25°
- ▶ 2,3 m (7.5 ft) side stowed heavy duty jib with 38 t (83,000 lb) maximum capacity using four parts of line, offset 8° and 30°
- ▶ EKS5 Light semi-graphic display in lieu of standard EKS5

## Carrier



### Chassis

Box type, torsion resistant frame is fabricated from high strength steel.



### Outrigger system

Four hydraulic two stage outrigger beams with vertical cylinders and outrigger pads, 600 mm (23.6 in) square. Outrigger can be set in 5 positions:

Full:	8,1 m (26.6 ft)
Partial:	6,8 m (22.4 ft)
Partial:	5,6 m (18.4 ft)
Partial:	4,4 m (14.4 ft)
Retracted:	2,7 m (9.0 ft)

Independent horizontal and vertical movement controlled from each side of carrier and the superstructure cab. Electronic crane level indicators. Hydraulic disconnect for all outrigger beams. Includes outrigger monitoring system.



### Transmission

Allison automatic 4500 SP; 6 forward and 1 reverse speed. Two stage transfer case with inter-axle differential lock.

\*\*Allison automatic 4000 SP; 6 forward and 1 reverse speed. Two stage transfer case with inter-axle differential lock.



### Drive/steer

10x6x10 (3, 4 and 5 driven)



### Suspension

Grove exclusive MEGATRAK™ suspension. Independent hydro-pneumatic system acting on all wheels with hydraulic lockout. Suspension can be raised 160 mm (6.3 in) or lowered 120 mm (4.7 in), both longitudinally and transversely. Features an automatic leveling system for highway travel.

# Specifications



## Axles

1st axle line – steer  
2nd axle line – steer (optional drive)  
3rd axle line – drive/steer (permanent drive with 10x6, disconnects for highway with 10x8)  
4th axle line – drive/steer (connects for all wheel steer)  
5th axle line – drive/steer  
Drive axles with planetary hub reduction and center mounted gearing. Standard inter-axle and cross axle differential locks.



## Tires

10 tires, 445/95 R25 (16.00 R25) (vehicle width – 3,0 m [9.8 ft])



## Steering

Dual circuit, hydraulic power assisted steering system. Transfer case mounted, ground driven emergency steering pump. Axles 1, 2, 3 and 5 steer on highway. Separate steering (steer by wire) of the 4th and 5th axles for all wheel and crab steering, controlled by an electronic rocker switch.



## Engine

Mercedes-Benz OM 502LA, diesel, 8-cylinders, water cooled, turbocharged, 405 kW (543 HP) at 1800 rpm (80/1269 fan loose). Max. torque: 2600 Nm (1918 ft lb) at 1300 rpm. Fuel tank capacity: 515 L (136 gal).

Engine emission: Tier 4i / EPA / CARB (non-road).

\*\*Mercedes-Benz OM502LA, diesel, 8-cylinders, water cooled, turbocharged, 420 kW (563 HP) at 1800 rpm (80/1269 EWG fan loose). Max. torque: 2700 Nm (1991 ft lb) at 1200 rpm. Fuel tank capacity 515 L (136 gal).

Engine emission: Tier 3 / EPA / CARB (non-road).



## Brakes

Service brake: pneumatic dual circuit disc brakes acting on all wheels, air dryer.

Permanent brake: exhaust brake and constant throttle brake.

Parking brake: pneumatically operated spring-loaded brake acting on axle lines 2, 3, 4 and 5.

\*\*Service brake: pneumatic dual circuit drum brakes, acting on all wheels, air dryer.

Permanent brake: exhaust brake and constant throttle brake.

Parking brake: pneumatically operated spring-loaded brake acting on axle lines 2, 3, 4 and 5.



## Cab

Two-man, aluminum construction with the following features: safety glass, driver seat with pneumatic suspension, engine-dependent hot water heater, power windows, heated rear view mirrors, complete instrumentation and driving controls.



## Electrical system

24V system with three phase alternator, 28V/100A

2 batteries, 12V/170 Ah



## Maximum speed

85 km/h (53 mph)



## Gradeability (theoretical)

50% - 14.00 tires

45% - 16.00 / 20.5 tires

## Miscellaneous standard equipment

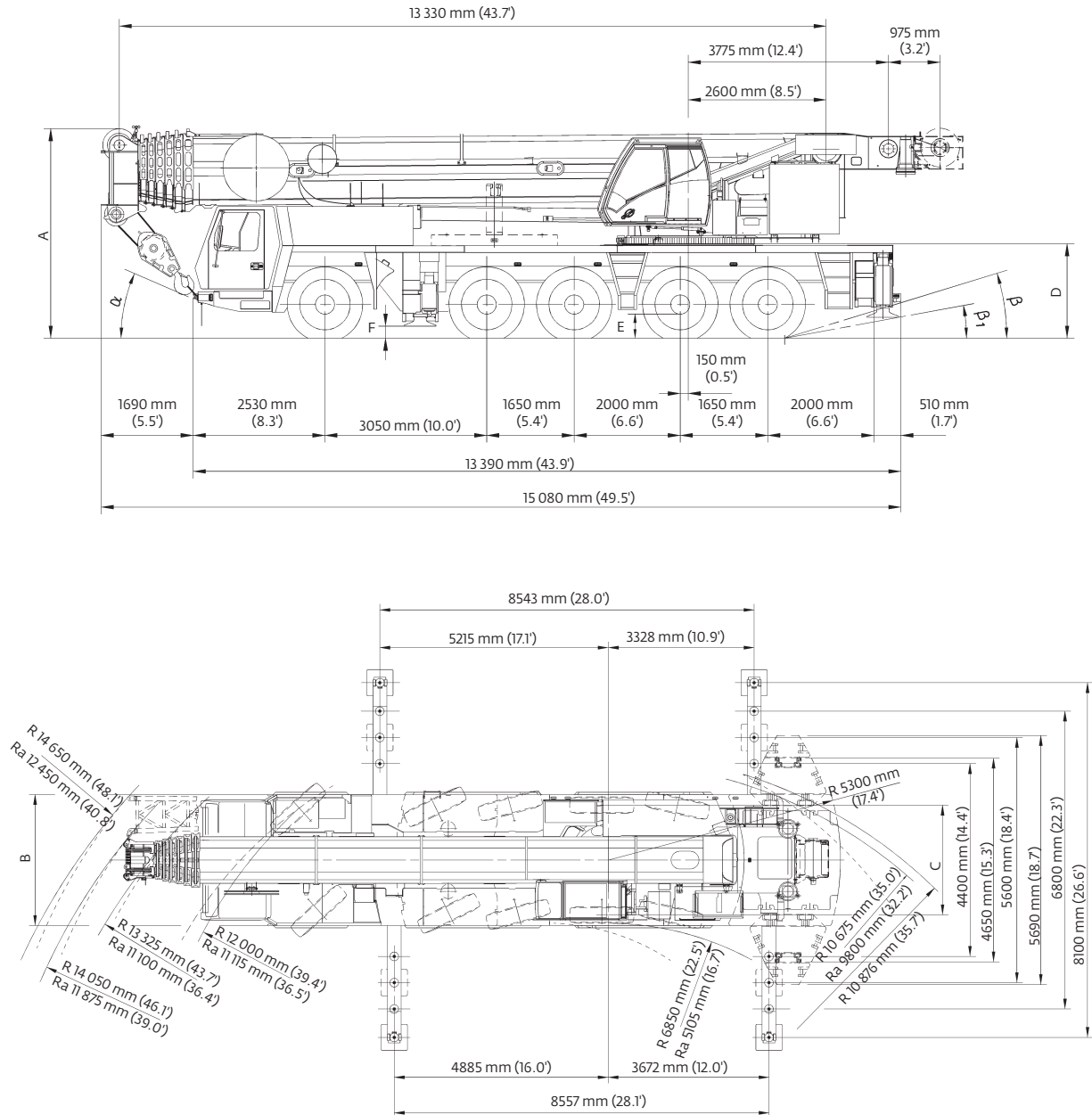
Work light; tool kit; fire extinguishers; auxiliary boom nose; radio/CD player in carrier cab, heated rear view mirrors, wind speed indicator, CraneSTAR asset management system.

## \*Optional equipment

- ▶ Stainless steel exhaust system with spark arrestor
- ▶ Air conditioning
- ▶ 385/95 R25 (14.00 R25) (vehicle width 3 m [9.8 ft])
- ▶ 525/80 R25 (20.5 R25) (vehicle width 3,1 m [10.2 ft])
- ▶ 10x8x10 drive/steer (2, 3, 4 and 5 driven)
- ▶ Transmission retarder (in lieu of engine compression brake)
- ▶ Engine independent diesel cab heater, with engine pre-heater. Includes 24 hour timer.
- ▶ Strobe light
- ▶ Work lights for outriggers
- ▶ Spare tire and wheel with carry bracket
- ▶ Rear mounted stowage box
- ▶ Outrigger pad load indicator
- ▶ Trailer hitch
- ▶ Steel outrigger pads

# Dimensions

## Mercedes-Benz (Tier 3)



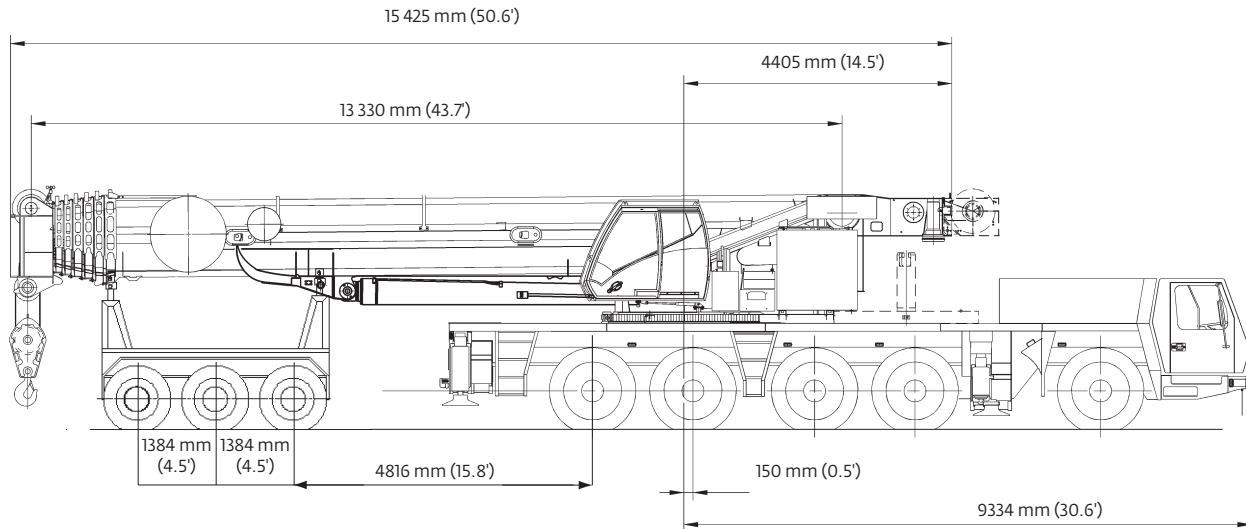
Tires	A	A <sup>*130 mm (0.4)</sup>	B	C	D	E	F	$\alpha$	$\beta$	$\beta_1$
14.00 R25	3950 mm (13')	3820 mm (12.5')	2990 mm (9.8')	2570 mm (8.4')	1780 mm (5.8')	400 mm (1.3')	228 mm (0.7')	23°	15°	10°
16.00 R25	4000 mm (13.1')	3870 mm (12.7')	3000 mm (9.8')	2510 mm (8.2')	1830 mm (6.0')	450 mm (1.5')	258 mm (0.8')	25°	17°	12°
20.5 R25	4000 mm (13.1')	3870 mm (12.7')	3000 mm (9.8')	2530 mm (8.3')	1830 mm (6.0')	450 mm (1.5')	258 mm (0.8')	25°	17°	12°

Ra = Radius all wheels steered  
 \*Lowered

# Weights

## Mercedes-Benz (Tier 3)

### Trailing boom



Basic weights - kg (lb)	Axles 1-3		Axles 4 and 5		Dolly		Total	
GMK 5275 Mercedes power Tier 3 with: 20.5R25 tires, 10x8x10 drive/steer, 11 m-18m (36-59 ft) hydraulic luffing swingaway, 2nd oil cooler, outrigger pads, auxiliary hoist, driver and tanks filled, 3 axle boom dolly (4309 kg / 9400 lb)	27 881	(61,467)	20 119	(44,355)	20 079	(44,267)	68 079	(150,089)
<b>Additions:</b>								
5000 kg (11 000 lb) section pinned to superstructure (special counterweight version)	4831	(10,651)	169	(373)	0	(0)	5000	(11,023)
11 000 kg (24,250 lb) base section stowed on carrier	10 629	(23,433)	371	(818)	0	(0)	11 000	(24,251)
<b>Removals:</b>								
Brackets for hydraulic swingaway incl. hose reel	- 8	(-18)	- 4	(-9)	- 257	(-567)	- 270	(-595)
11 m - 18 m (36 ft - 59 ft) hydraulic swingaway	- 345	(-761)	- 176	(-388)	-1489	(-3283)	-2010	(-4431)
Front outriggers	-2190	(-4828)	300	(661)	0	(0)	-1890	(-4167)
Rear outriggers	1338	(2950)	-3678	(-8109)	0	(0)	-2340	(-5159)
Front and rear outrigger floats	- 59	(-130)	-141	(-311)	0	(0)	-200	(-441)
<b>Substitutions:</b>								
10x6x10 drive/steer	- 316	(-697)	- 39	(-86)	0	(0)	- 355	(-783)
14.00R25 tires	- 612	(-1349)	- 408	(-899)	0	(0)	-1020	(-2249)
16.00R25 tires	- 252	(-556)	- 168	(-370)	0	(0)	- 420	(-926)

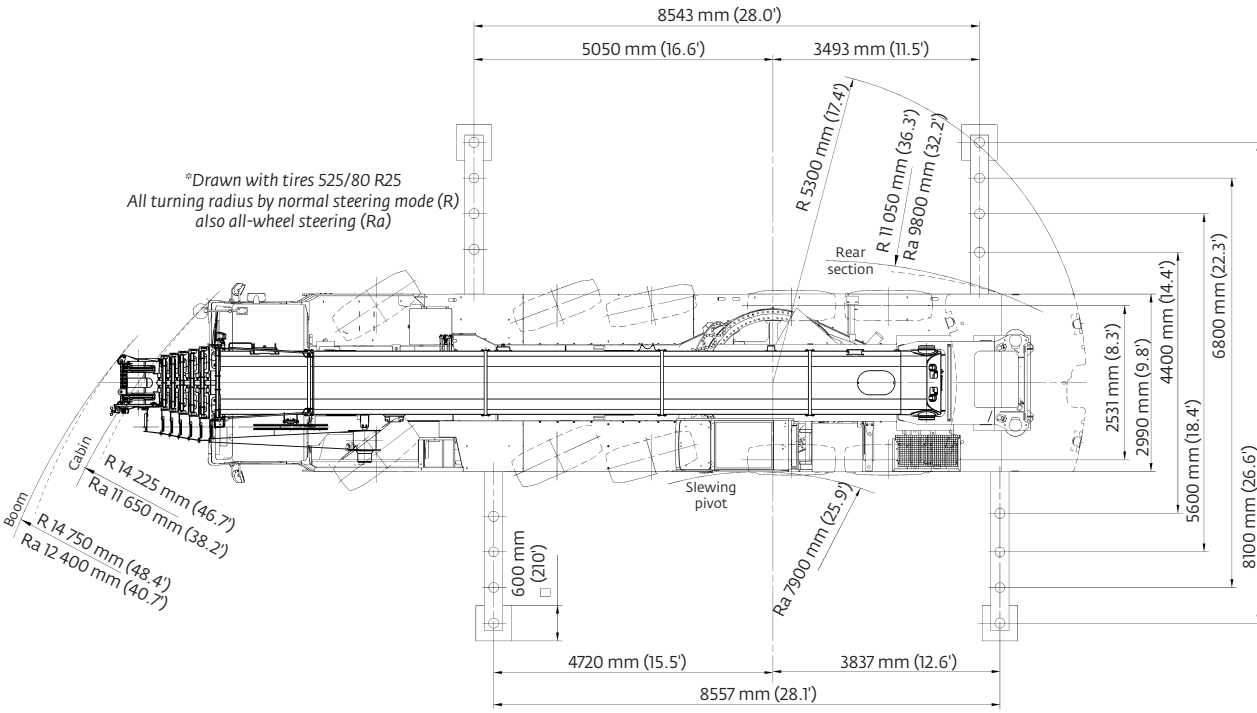
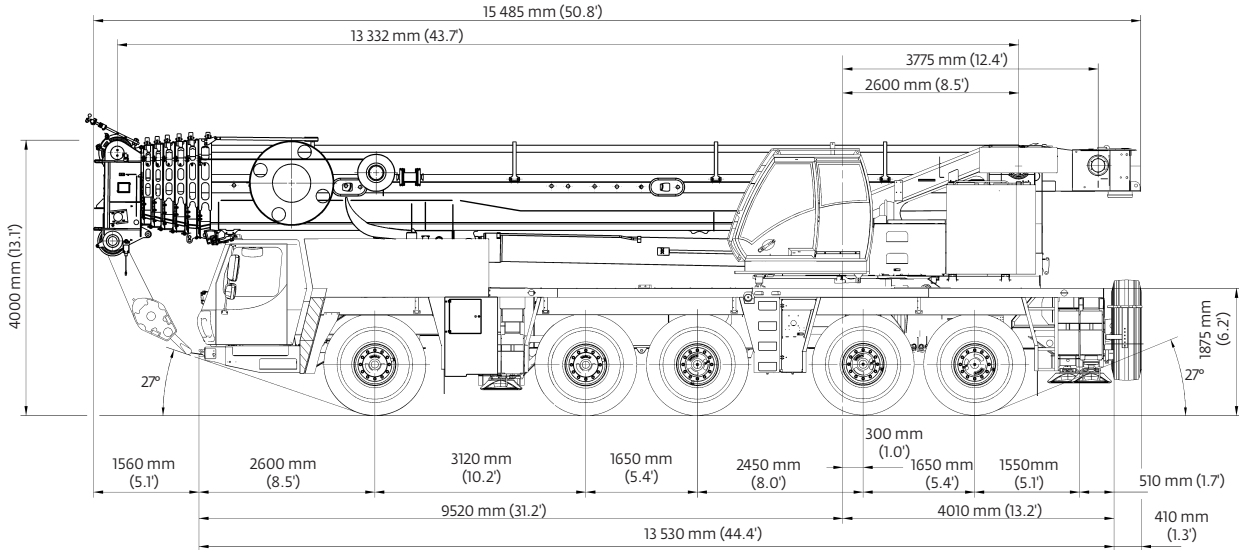
Basic weights - kg (lb)	Axles 1 - 3		Axles 4 and 5		Total	
Mercedes power Tier 3, 16.00R25 tires, 10x6x10 drive/steer, 2nd oil cooler, outrigger pads, driver and tanks filled	34 340	(75,707)	24 645	(54,333)	58 985	(130,040)
<b>Additions:</b>						
10x8x10 drive/steer	316	(697)	39	(86)	355	(783)
Spare wheel 14.00 R25 XGC steel rim with stowage	- 186	(-410)	446	(983)	260	(573)
Spare wheel 16.00 R25 XGC steel rim with stowage	- 229	(-505)	549	(1210)	320	(705)
Spare wheel 20.5 R25 XGC steel rim with stowage	- 259	(-571)	621	(1369)	362	(798)
Brackets for hydraulic swingaway	92	(203)	- 12	(-26)	80	(176)
Hose reel + parts for hydraulic swingaway	339	(747)	- 149	(-328)	190	(419)
11 m - 18 m (36 ft - 59 ft) hydraulic swingaway	2321	(5117)	- 311	(-686)	2010	(4431)
Auxiliary hoist	-1417	(-3124)	3157	(6960)	1740	(3836)
11 000 kg (24,250 lb) base plate stowed on carrier	10 581	(23,327)	369	(814)	10 950	(24,141)
5000 kg (11,000 lb) slab fixed to turntable (special counterweight version)	-3452	(-7610)	8432	(18,589)	4980	(10,979)
<b>Substitutions:</b>						
14.00R25 tires	- 360	(-794)	- 240	(-529)	- 600	(-1323)
20.5R25 tires	252	(556)	168	(370)	420	(926)
<b>Removals:</b>						
Boom assembly w/o lift cylinder	-19 612	(-43,237)	-1523	(-3358)	-21 135	(-46,595)
Front outriggers	-2213	(-4879)	303	(668)	-1910	(-4211)
Rear outriggers	1326	(2923)	-3646	(-8038)	-2320	(-5115)
Front and rear outrigger floats	- 59	(-130)	- 141	(-311)	- 200	(-441)



# Dimensions

## Mercedes-Benz (Tier 4i)

\*Drawn with tires 525/80 R25  
 All turning radius by normal steering mode (R)  
 also all-wheel steering (Ra)

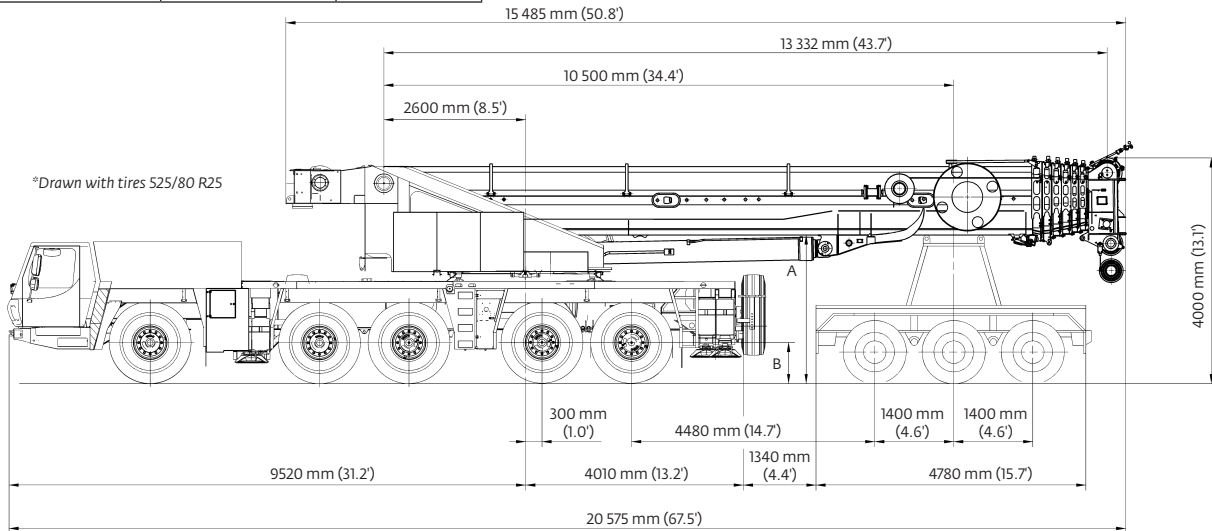


# Weights

## Mercedes-Benz (Tier 4i)

### Trailing boom

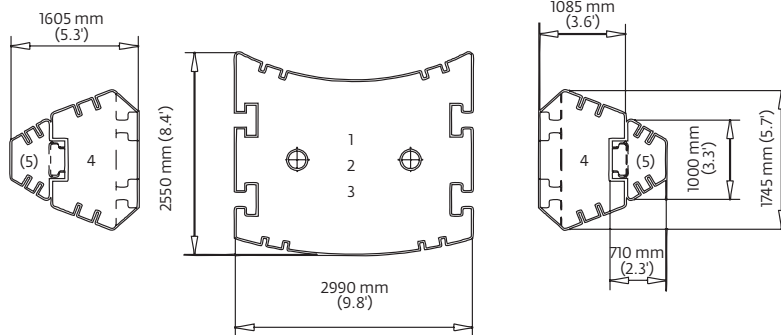
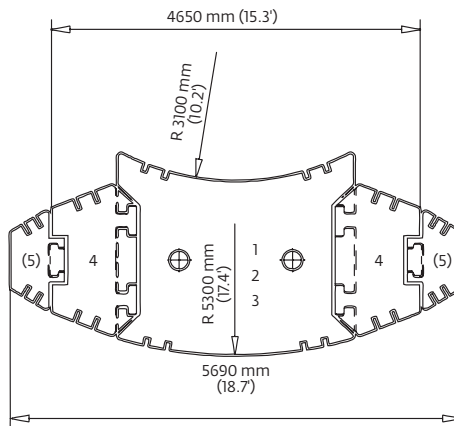
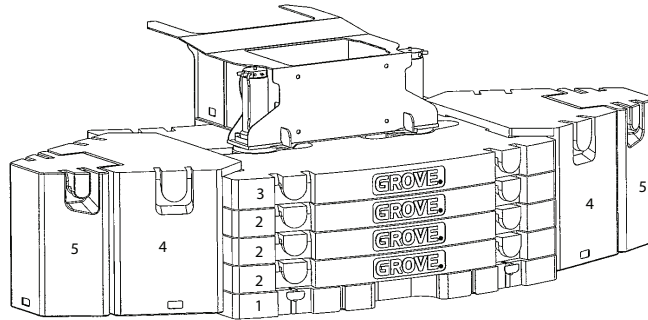
Tires	A	B
385/95 (14.00) R25	2690 mm (8.8 ft)	635 mm (2.1 ft)
445/95 (16.00) R25	2740 mm (9.0 ft)	685 mm (2.2 ft)
525/80 (20.5) R25	2740 mm (9.0 ft)	685 mm (2.2 ft)



Basic weights - kg (lb)	Axles 1-3		Axles 4 and 5		Dolly		Total	
GMK 5275 Mercedes power Tier 4i with: 20.5R25 tires, 10x8x10 drive/steer, 11 m-18m (36-59 ft) hydraulic luffing swingaway, 2nd oil cooler, outrigger pads, auxiliary hoist, driver and tanks filled, 3 axle boom dolly (4309 kg / 9400 lb)	29 204	(64,382)	20 885	(46,043)	19 362	(42,684)	69 450	(153,103)
<b>Additions:</b>								
5000 kg (11 000 lb) section pinned to superstructure (special counterweight version)	4831	(10,651)	169	(373)	0	(0)	5000	(11,023)
11 000 kg (24,250 lb) base section stowed on carrier	10 629	(23,433)	371	(818)	0	(0)	11 000	(24,251)
<b>Removals:</b>								
Brackets for hydraulic swingaway incl. hose reel	- 8	(-18)	- 4	(-9)	- 257	(-567)	- 270	(-595)
11 m - 18 m (36 ft - 59 ft) hydraulic swingaway	- 345	(-761)	- 176	(-388)	-1489	(-3283)	-2010	(-4431)
Front outriggers	-2190	(-4828)	300	(661)	0	(0)	-1890	(-4167)
Rear outriggers	1338	(2950)	-3678	(-8109)	0	(0)	-2340	(-5159)
Front and rear outrigger floats	- 59	(-130)	- 141	(-311)	0	(0)	- 200	(-441)
<b>Substitutions:</b>								
10x6x10 drive/steer	- 316	(-697)	- 39	(-86)	0	(0)	- 355	(-783)
14.00R25 tires	- 612	(-1349)	- 408	(-899)	0	(0)	-1020	(-2249)
16.00R25 tires	- 252	(-556)	- 168	(-370)	0	(0)	- 420	(-926)

Boom over front	Axles 1 - 3		Axles 4 and 5		Total	
<b>Basic weights - kg (lb)</b>						
Mercedes power Tier 4i, 16.00R25 tires, 10x6x10 drive/steer, 2nd oil cooler, outrigger pads, driver and tanks filled	37 118	(81,831)	23 189	(51,123)	60 306	(132,952)
<b>Additions:</b>						
10x8x10 drive/steer	316	(697)	39	(86)	355	(783)
Spare wheel 14.00 R25 XGC steel rim with stowage	- 186	(-410)	446	(983)	260	(573)
Spare wheel 16.00 R25 XGC steel rim with stowage	- 229	(-505)	549	(1210)	320	(705)
Spare wheel 20.5 R25 XGC steel rim with stowage	- 259	(-571)	621	(1369)	362	(798)
Brackets for hydraulic swingaway	92	(203)	- 12	(-26)	80	(176)
Hose reel + parts for hydraulic swingaway	339	(747)	- 149	(-328)	190	(419)
11 m - 18 m (36 ft - 59 ft) hydraulic swingaway	2321	(5117)	- 311	(-686)	2010	(4431)
Auxiliary hoist	-1417	(-3124)	3157	(6960)	1740	(3836)
11 000 kg (24,250 lb) base plate stowed on carrier	10 581	(23,327)	369	(814)	10 950	(24,141)
5000 kg (11,000 lb) slab fixed to turntable (special counterweight version)	-3452	(-7610)	8432	(18,589)	4980	(10,979)
<b>Substitutions:</b>						
14.00R25 tires	- 360	(-794)	- 240	(-529)	- 600	(-1323)
20.5R25 tires	252	(556)	168	(370)	420	(926)
<b>Removals:</b>						
Boom assembly w/o lift cylinder	-19 655	(-43,332)	-1480	(-3263)	-21 135	(-46,594)
Front outriggers	-2350	(-5181)	289	(637)	-2061	(-4544)
Rear outriggers	1093	(2410)	-3586	(-7906)	-2493	(-5496)
Front and rear outrigger floats	- 59	(-130)	- 141	(-311)	- 200	(-441)

# Counterweight

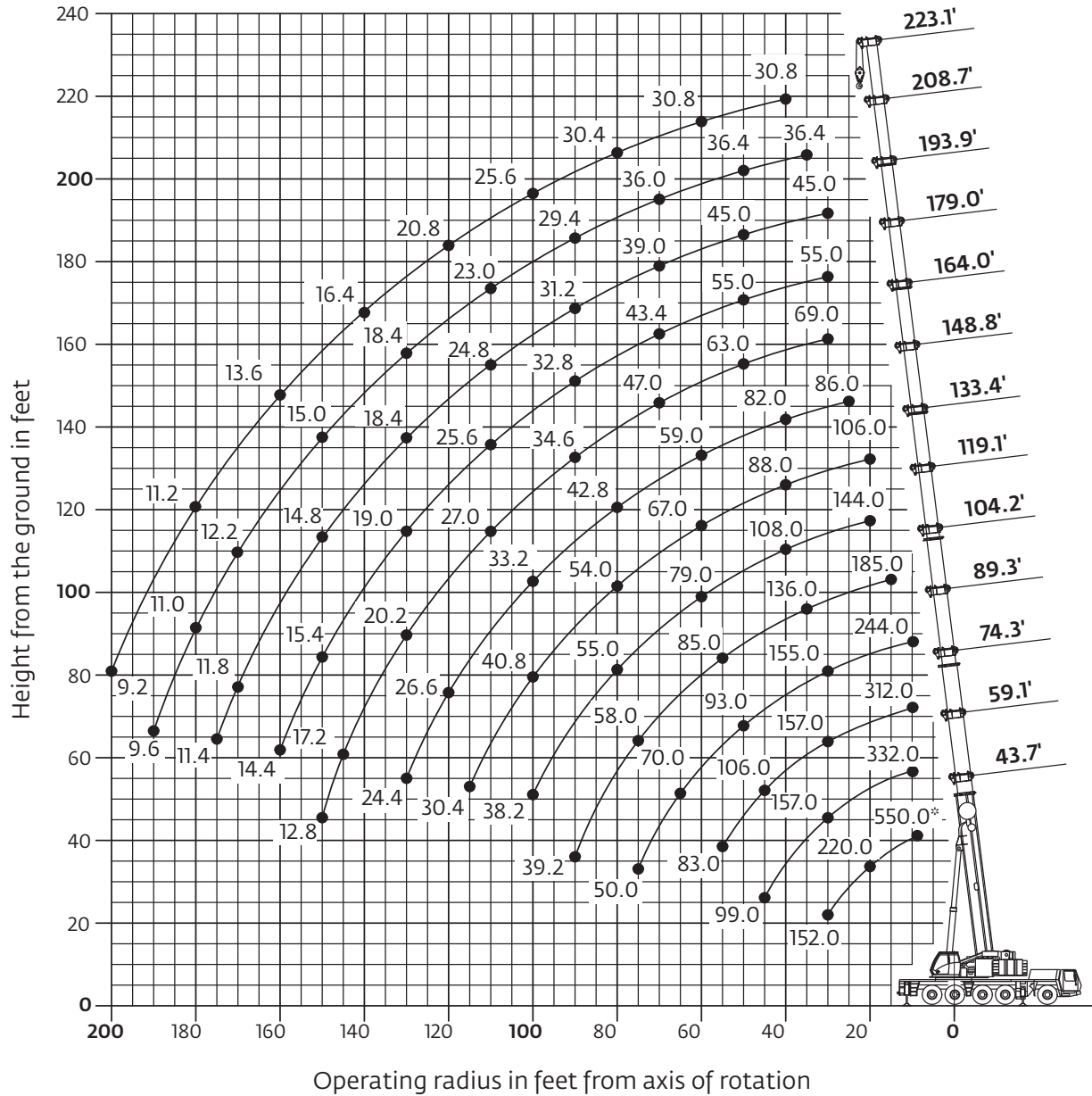


Counterweight Configuration kg (lb)

	1 (Baseplate)	2 (Stackable)	3 (Stackable)	4 (Wing)	5 (Wing)
	11 000 (24,200)	10 000 (22,046)	10 000 (22,046)	10 000 (22,046)	3000 (6600)
11 000 (24,200)	•				
21 000 (46,200)	•	•			
31 000 (68,300)	•	X2			
41 000 (90,300)	•	X3			
51 000 (112,400)	•	X3	•		
71 000 (156,500)	•	X3	•	X2	
77 000 (169,700)	•	X3	•	X2	X2

# Working range

44 ft - 223 ft main boom



Hook heights shown in the working diagram do not consider loaded boom deflection.

	Hook block	H
	200 ton, 9 sheave	12.0 ft (3650 mm)
	160 ton, 7 sheave	12.0 ft (3650 mm)
	125 ton, 5 sheave	10.8 ft (3300 mm)
	80 ton, 3 sheave	10.8 ft (3300 mm)
	32 ton, 1 sheave	10.5 ft (3200 mm)
	12 ton, single line headache ball	8.0 ft (2450 mm)

THIS CHART IS ONLY A GUIDE AND SHOULD NOT BE USED TO OPERATE THE CRANE.

The individual crane's load chart, operating instructions and other instructional plates must be read and understood prior to operating the crane

# Load charts

## Main boom








13.3 m - 68 m  
 (44 ft - 223 ft)

77 000 kg  
 (169,700 lb)

26 ft 7 in spread  
 (100%)

360°



Pounds x 1000

Feet	43.7'	59.1'	74.3'	89.3'	104.2'	119.1'	133.4'	148.8'	164.0'	179.0'	193.9'	208.7'	223.1'
8	*550.0												
10	346.0	332.0	312.0	244.0									
15	272.0	270.0	260.0	242.0	185.0								
20	220.0	222.0	215.0	212.0	182.0	144.0	106.0						
25	184.0	185.0	181.0	181.0	166.0	140.0	106.0	86.0					
30	152.0	157.0	157.0	155.0	151.0	129.0	105.0	86.0	69.0	55.0	45.0		
35		136.0	136.0	135.0	136.0	118.0	96.0	86.0	69.0	55.0	45.0	36.4	
40		121.0	119.0	118.0	120.0	108.0	88.0	82.0	69.0	55.0	45.0	36.4	30.8
45		99.0	106.0	104.0	106.0	99.0	81.0	75.0	68.0	55.0	45.0	36.4	30.8
50			95.0	93.0	95.0	92.0	76.0	70.0	63.0	55.0	45.0	36.4	30.8
55			83.0	84.0	85.0	85.0	72.0	64.0	59.0	52.0	45.0	36.4	30.8
60				76.0	77.0	79.0	67.0	59.0	54.0	49.0	44.0	36.4	30.8
65				70.0	70.0	72.0	63.0	54.0	50.0	46.0	41.2	36.4	30.8
70				63.0	64.0	66.0	60.0	50.0	47.0	43.4	39.0	36.0	30.8
75				58.0	58.0	61.0	57.0	46.0	43.0	40.4	36.8	34.4	30.8
80				53.0	53.0	55.0	54.0	42.8	39.6	37.6	34.8	32.6	30.4
85				49.0	49.0	51.0	51.0	40.2	37.2	35.2	33.0	31.0	29.2
90				39.2	39.2	46.0	48.0	37.6	34.6	32.8	31.2	29.4	28.0
95						42.4	44.0	35.2	32.4	30.8	29.4	28.0	26.8
100						38.2	40.8	33.2	30.4	28.8	27.8	26.4	25.6
105							37.6	31.4	28.8	27.2	26.4	24.8	24.4
110							34.8	29.6	27.0	25.6	24.8	23.0	23.2
115							30.4	28.0	25.2	23.8	23.0	21.4	22.0
120								26.6	23.2	21.8	21.2	20.4	20.8
125								25.2	21.4	20.0	19.4	19.4	19.4
130								24.4	20.2	19.0	18.4	18.4	18.0
135									19.2	18.0	17.4	17.4	17.2
140									18.2	17.0	16.4	16.6	16.4
145									17.2	16.0	15.6	15.8	15.6
150									12.8	15.4	14.8	15.0	15.0
155										14.8	14.0	14.2	14.2
160										14.4	13.2	13.4	13.6
165											12.6	12.8	13.0
170											11.8	12.2	12.4
175											11.4	11.6	11.8
180												11.0	11.2
185												10.6	10.6
190												9.6	10.2
195													9.6
200													9.2

\* Over the rear with special equipment

Loads greater than 297,000 lb/335,000 lb can only be lifted with additional/special equipment.

# Load charts

## Main boom



13,3 m - 68 m  
(44 ft - 223 ft)



51 000 kg  
(112,400 lb)



26 ft 7 in spread  
(100%)



360°



Pounds x 1000

Feet	43.7'	59.1'	74.3'	89.3'	104.2'	119.1'	133.4'	148.8'	164.0'	179.0'	193.9'	208.7'	223.1'
10	336.0	332.0	312.0	244.0									
15	262.0	260.0	258.0	242.0	185.0								
20	210.0	211.0	208.0	210.0	182.0	144.0	106.0						
25	176.0	177.0	176.0	175.0	166.0	140.0	106.0	86.0					
30	149.0	150.0	150.0	148.0	150.0	129.0	105.0	86.0	69.0	55.0	45.0		
35		132.0	130.0	127.0	124.0	118.0	96.0	86.0	69.0	55.0	45.0	36.4	
40		114.0	111.0	110.0	103.0	102.0	88.0	82.0	69.0	55.0	45.0	36.4	30.8
45		98.0	95.0	94.0	90.0	88.0	81.0	75.0	68.0	55.0	45.0	36.4	30.8
50			83.0	82.0	81.0	76.0	76.0	70.0	63.0	55.0	45.0	36.4	30.8
55			72.0	71.0	72.0	67.0	68.0	64.0	59.0	52.0	45.0	36.4	30.8
60				62.0	64.0	62.0	60.0	57.0	54.0	49.0	44.0	36.4	30.8
65				57.0	56.0	58.0	54.0	50.0	49.0	46.0	41.2	36.4	30.8
70				51.0	50.0	52.0	49.0	45.0	43.8	43.2	39.0	36.0	30.8
75				46.0	45.0	47.0	44.0	40.8	39.6	39.0	36.8	34.4	30.8
80					41.6	42.0	40.0	37.0	35.8	35.4	34.8	32.6	30.4
85						39.2	38.2	36.0	34.2	32.4	32.0	31.0	29.2
90							35.8	32.6	32.8	29.4	29.2	29.4	28.0
95								31.4	29.4	31.4	26.8	27.4	26.8
100									26.8	28.6	24.4	25.0	25.6
105										25.2	26.0	23.0	23.6
110											21.2	21.2	21.8
115												19.4	20.2
120													18.6
125													17.2
130													16.6
135													15.8
140													14.6
145													13.4
150													12.4
155													11.2
160													10.2
165													9.2
170													8.4
175													7.6
180													6.8
185													6.0
190													5.2
195													4.6
200													4.0
													3.4



13,3 m - 68 m  
(44 ft - 223 ft)



41 000 kg  
(90,300 lb)



26 ft 7 in spread  
(100%)



360°



Pounds x 1000

Feet	43.7'	59.1'	74.3'	89.3'	104.2'	119.1'	133.4'	148.8'	164.0'	179.0'	193.9'	208.7'	223.1'
10	332.0	328.0	312.0	244.0									
15	256.0	256.0	254.0	242.0	185.0								
20	207.0	208.0	206.0	206.0	182.0	144.0	106.0						
25	172.0	173.0	173.0	171.0	166.0	140.0	106.0	86.0					
30	146.0	149.0	146.0	138.0	131.0	128.0	105.0	86.0	69.0	55.0	45.0		
35		124.0	117.0	114.0	110.0	105.0	96.0	86.0	69.0	55.0	45.0	36.4	
40		102.0	101.0	95.0	94.0	88.0	87.0	82.0	69.0	55.0	45.0	36.4	30.8
45		84.0	85.0	81.0	80.0	76.0	75.0	71.0	68.0	55.0	45.0	36.4	30.8
50			72.0	72.0	70.0	70.0	65.0	61.0	59.0	55.0	45.0	36.4	30.8
55			64.0	64.0	61.0	62.0	57.0	54.0	52.0	51.0	45.0	36.4	30.8
60				55.0	56.0	55.0	51.0	47.0	46.0	45.0	44.0	36.4	30.8
65				49.0	51.0	49.0	45.0	42.0	40.6	40.0	39.6	36.4	30.8
70				43.6	45.0	44.0	40.6	39.8	36.2	35.6	35.4	36.0	30.8
75					38.4	40.6	39.4	37.6	32.4	32.0	31.8	32.4	30.8
80						36.6	35.4	33.0	34.0	29.0	29.4	30.2	29.8
85							33.0	31.6	31.0	26.4	28.2	28.6	27.0
90								29.8	28.6	28.4	25.0	26.6	24.6
95									25.8	27.4	25.6	24.6	22.4
100										23.4	23.2	22.4	20.4
105											22.8	22.2	18.6
110												21.0	17.0
115													15.6
120													14.2
125													13.0
130													11.8
135													10.6
140													9.6
145													8.8
150													7.8
155													7.0
160													6.0
165													5.2
170													4.6
175													3.8
180													3.2
185													3.2
190													3.2


THIS CHART IS ONLY A GUIDE AND SHOULD NOT BE USED TO OPERATE THE CRANE.

The individual crane's load chart, operating instructions and other instructional plates must be read and understood prior to operating the crane

# Load charts

## Main boom








13.3 m - 68 m  
(44 ft - 223 ft)


21 000 kg  
(46,200 lb)


26 ft 7 in spread  
(100%)

360°



 Pounds x 1000

Feet	43.7'	59.1'	74.3'	89.3'	104.2'	119.1'	133.4'	148.8'	164.0'	179.0'	193.9'	208.7'	223.1'
10	320.0	318.0	312.0	244.0									
15	248.0	248.0	246.0	242.0	185.0								
20	199.0	200.0	187.0	175.0	158.0	144.0	106.0						
25	154.0	148.0	138.0	128.0	123.0	113.0	106.0	86.0					
30	114.0	111.0	105.0	103.0	96.0	94.0	87.0	81.0	69.0	55.0	45.0		
35		90.0	87.0	83.0	82.0	77.0	71.0	66.0	63.0	55.0	45.0	36.4	
40		72.0	72.0	68.0	68.0	64.0	59.0	59.0	52.0	51.0	45.0	36.4	30.8
45		58.0	60.0	61.0	58.0	54.0	50.0	51.0	43.8	43.0	42.0	36.4	30.8
50			50.0	52.0	50.0	47.0	45.0	43.4	39.2	40.6	39.6	36.0	30.8
55			45.0	46.0	43.2	40.2	41.2	37.4	36.8	37.4	36.6	34.0	30.8
60				39.2	37.8	36.0	36.0	32.6	34.6	34.0	32.2	29.8	27.4
65				33.8	33.2	33.8	31.8	30.6	31.4	30.2	28.4	26.2	24.0
70				29.4	29.0	30.6	28.2	29.0	28.4	26.8	25.2	23.2	21.0
75				22.8	25.4	27.4	25.0	27.0	25.4	24.0	22.4	20.4	18.4
80					22.2	24.2	23.2	24.4	23.0	21.4	20.0	18.2	16.2
85					22.0	21.4	20.8	22.0	20.6	19.2	17.8	16.0	14.2
90					19.6	19.0	19.4	20.0	18.6	17.2	16.0	14.2	12.4
95						17.4	18.4	18.0	16.8	15.6	14.2	12.6	10.8
100						16.6	16.4	16.2	15.2	14.0	12.6	11.0	9.2
105							14.8	14.6	13.8	12.6	11.2	9.8	8.0
110							13.4	13.0	12.4	11.2	10.0	8.4	6.8
115							12.0	11.6	11.0	10.0	8.8	7.4	5.6
120								10.4	9.8	9.0	7.8	6.4	4.6
125								9.4	8.6	8.0	6.8	5.4	3.8
130								8.4	7.6	7.0	6.0	4.6	2.8
135									6.8	6.0	5.2	3.8	
140									6.0	5.2	4.4	3.0	
145										4.4	3.6		
150										3.6	2.8		
155										3.0			







13.3 m - 68 m  
(44 ft - 223 ft)

0 kg  
(0 lb)

26 ft 7 in spread  
(100%)

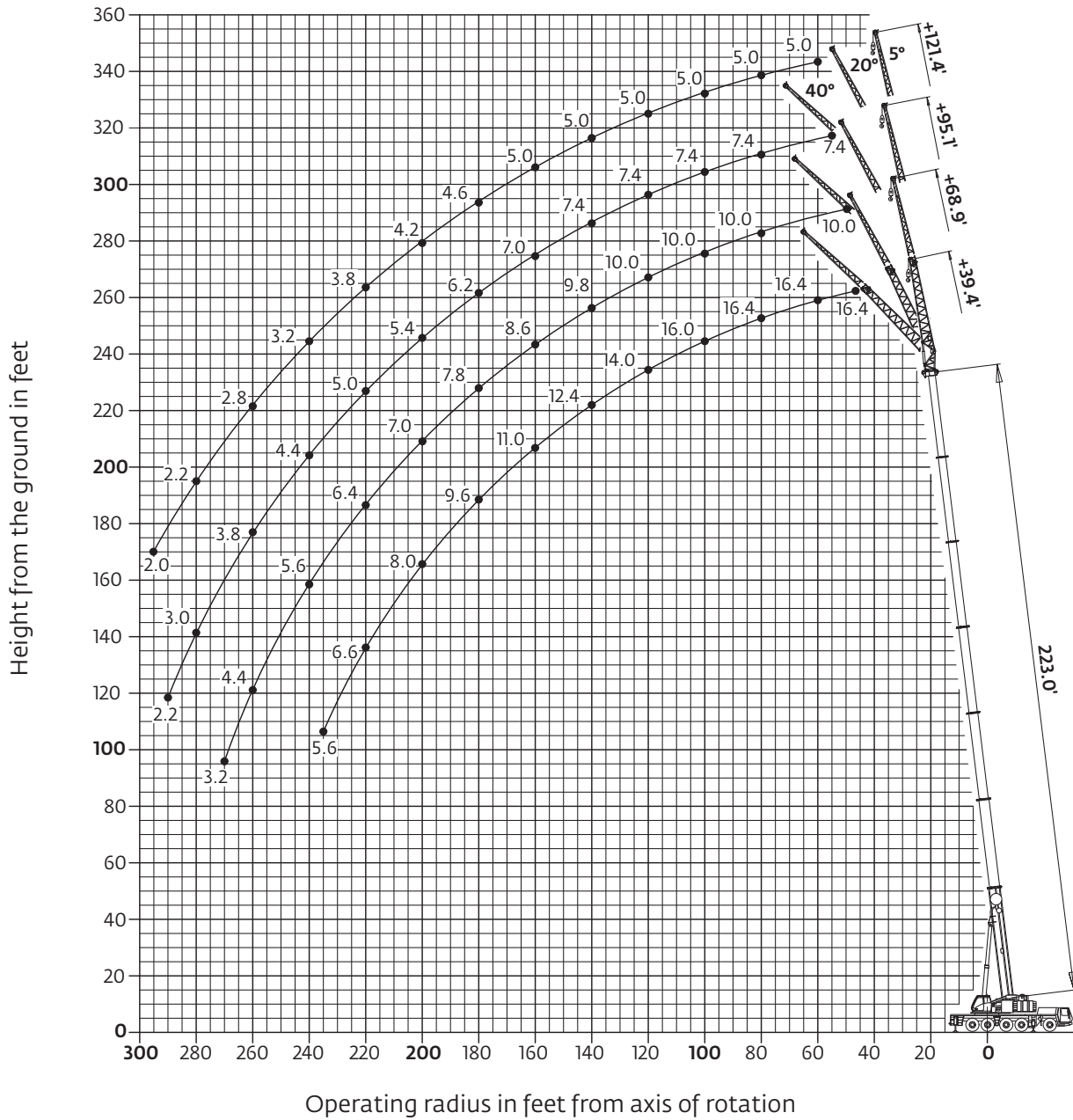
360°



 Pounds x 1000

Feet	43.7'	59.1'	74.3'	89.3'	104.2'	119.1'	133.4'	148.8'	164.0'	177.6'	192.6'
10	308.0	308.0	286.0	232.0							
15	222.0	185.0	160.0	144.0	125.0						
20	122.0	114.0	105.0	100.0	90.0	79.0	76.0				
25	81.0	80.0	77.0	72.0	65.0	63.0	57.0	56.0			
30	56.0	58.0	57.0	54.0	53.0	49.0	48.0	45.0	41.2	37.6	34.4
35		44.0	44.0	44.0	42.4	41.2	38.8	36.4	33.4	30.6	28.0
40		34.2	35.6	36.0	35.0	33.8	32.0	30.0	27.6	25.2	22.8
45		27.4	28.8	29.6	29.0	28.0	26.6	25.0	23.0	20.8	18.8
50			23.8	24.8	24.2	23.6	22.4	21.0	19.2	17.2	15.4
55			19.8	20.8	20.4	20.0	19.0	17.8	16.2	14.4	12.8
60				17.6	17.4	17.0	16.2	15.0	13.6	12.0	10.4
65				15.0	14.8	14.6	13.8	12.8	11.4	9.8	8.4
70				12.6	12.6	12.4	11.8	10.8	9.4	8.0	6.8
75				5.8	10.8	10.6	10.0	9.2	7.8	6.6	5.2
80					9.2	9.0	8.4	7.6	6.4	5.2	4.0
85					7.6	7.8	7.2	6.4	5.2	4.0	2.8
90					6.2	6.6	6.0	5.2	4.0	2.8	
95						5.4	4.8	4.2	3.0		
100						4.4	4.0	3.2			
105							3.2				

# Working range

223 ft main boom with 39 ft and 69 ft swingaway



Hook heights shown in the working diagram do not consider loaded boom deflection.



# Load charts

## Hydraulic offsettable swingaway

### Intermediate angle and loads for luffing



68 m  
(223 ft)



12-21-29-37 m  
(39-69-95-121 ft)



77 000 kg  
(169,700 lb)



26 ft 7 in spread  
(100%)



360°



Pounds x 1000

Radius	223' + 39.4'			223' + 68.9'			223' + 95.1'			223' + 121.4'		
	5°	5° - 20°	20° - 40°	5°	5° - 20°	20° - 40°	5°	5° - 20°	20° - 40°	5°	5° - 20°	20° - 40°
	X 1000 lb											
45	16.4											
50	16.4	16.4		10.0								
55	16.4	16.4		10.0			7.4					
60	16.4	16.4		10.0			7.4			5.0		
65	16.4	16.4	16.4	10.0			7.4			5.0		
70	16.4	16.4	16.4	10.0	10.0		7.4			5.0		
75	16.4	16.4	16.4	10.0	10.0		7.4	7.4		5.0		
80	16.4	16.4	16.4	10.0	10.0		7.4	7.4		5.0	5.0	
85	16.4	16.4	16.0	10.0	10.0		7.4	7.4		5.0	5.0	
90	16.4	16.2	15.6	10.0	10.0	9.4	7.4	7.4		5.0	5.0	
95	16.4	15.8	15.2	10.0	10.0	9.4	7.4	7.4	7.2	5.0	5.0	4.0
100	16.0	15.2	14.8	10.0	10.0	9.2	7.4	7.4	7.2	5.0	5.0	4.0
105	15.6	14.8	14.4	10.0	10.0	9.2	7.4	7.4	7.2	5.0	5.0	4.0
110	15.0	14.4	14.0	10.0	10.0	9.2	7.4	7.4	7.2	5.0	5.0	4.0
115	14.4	13.8	13.6	10.0	10.0	9.0	7.4	7.4	7.2	5.0	5.0	4.0
120	14.0	13.4	13.2	10.0	10.0	9.0	7.4	7.4	7.2	5.0	5.0	4.0
125	13.6	13.0	12.8	10.0	10.0	9.0	7.4	7.4	7.2	5.0	5.0	4.0
130	13.2	12.6	12.4	10.0	9.8	8.8	7.4	7.4	7.2	5.0	5.0	4.0
135	12.8	12.2	12.2	10.0	9.6	8.8	7.4	7.4	7.2	5.0	5.0	4.0
140	12.4	12.0	11.8	9.8	9.4	8.8	7.4	7.2	7.0	5.0	5.0	4.0
145	12.0	11.6	11.4	9.4	9.0	8.6	7.4	7.2	7.0	5.0	5.0	4.0
150	11.6	11.2	11.2	9.2	8.8	8.6	7.4	7.0	6.8	5.0	4.8	4.0
155	11.2	11.0	11.0	9.0	8.6	8.4	7.2	6.8	6.6	5.0	4.8	4.0
160	11.0	10.6	10.6	8.6	8.4	8.2	7.0	6.6	6.6	5.0	4.8	4.0
165	10.6	10.4	10.4	8.4	8.2	8.0	6.8	6.6	6.4	4.8	4.8	4.0
170	10.2	10.2	10.2	8.2	8.0	8.0	6.6	6.4	6.2	4.8	4.6	4.0
175	9.8	9.8	10.0	8.0	7.8	7.8	6.4	6.2	6.2	4.8	4.6	4.0
180	9.6	9.6	9.6	7.8	7.6	7.6	6.2	6.0	6.0	4.6	4.6	4.0
185	9.2	9.2	9.4	7.6	7.4	7.4	6.0	5.8	5.8	4.6	4.4	4.0
190	8.8	8.8	9.0	7.4	7.2	7.2	5.8	5.6	5.8	4.4	4.4	4.0
195	8.2	8.4	8.6	7.2	7.0	7.0	5.6	5.6	5.6	4.2	4.2	4.0
200	8.0	8.0		7.0	6.8	6.8	5.4	5.4	5.4	4.2	4.0	4.0
205	7.6	7.8		6.8	6.6	6.8	5.2	5.2	5.4	4.0	4.0	4.0
210	7.2	7.4		6.6	6.4	6.6	5.0	5.0	5.2	3.8	3.8	4.0
215	6.8	7.0		6.4	6.4	6.4	5.0	5.0	5.0	3.6	3.8	3.8
220	6.4	6.6		6.2	6.2	6.4	4.8	4.8	5.0	3.6	3.6	3.8
225	6.2	6.2		6.0	6.0	6.2	4.6	4.6	4.8	3.4	3.4	3.6
230	5.8	6.0		5.8	6.0		4.6	4.6	4.6	3.2	3.4	3.6
235	5.4	5.6		5.6	5.8		4.4	4.4	4.6	3.2	3.2	3.4
240				5.2	5.6		4.2	4.2	4.4	3.0	3.2	3.2
245				5.0	5.2		4.2	4.2	4.2	3.0	3.0	3.2
250				4.8	5.0		4.0	4.0		2.8	2.8	3.0
255				4.4	4.6		3.8	4.0		2.8	2.8	3.0
260				4.2	4.4		3.8	3.8		2.6	2.6	2.8
265				4.0	4.0		3.6	3.6		2.6	2.6	2.8
270				3.2			3.4	3.6		2.4	2.4	
275							3.2	3.4		2.4	2.4	
280							3.0	3.0		2.2	2.2	
285							2.6	2.6		2.2	2.2	
290							2.2	2.2		2.0	2.2	
295										2.0	2.0	

THIS CHART IS ONLY A GUIDE AND SHOULD NOT BE USED TO OPERATE THE CRANE.

# Load charts

## Hydraulic offsettable swingaway



### Intermediate angle and loads for luffing







68 m (223 ft)      12-21-29-37 m (39-69-95-121 ft)      51 000 kg (112,400 lb)      26 ft 7 in spread (100%)      360°



Pounds x 1000

Radius	223' + 39.4'			223' + 68.9'			223' + 95.1'			223' + 121.4'		
	5°	5° - 20°	20° - 40°	5°	5° - 20°	20° - 40°	5°	5° - 20°	20° - 40°	5°	5° - 20°	20° - 40°
	X 1000 lb											
45	16.4											
50	16.4	16.4		10.0								
55	16.4	16.4		10.0			7.4					
60	16.4	16.4	16.4	10.0			7.4			5.0		
65	16.4	16.4	16.4	10.0			7.4			5.0		
70	16.4	16.4	16.4	10.0	10.0		7.4			5.0		
75	16.4	16.4	16.4	10.0	10.0		7.4	7.4		5.0		
80	16.4	16.4	16.4	10.0	10.0		7.4	7.4		5.0	5.0	
85	16.4	16.4	16.0	10.0	10.0		7.4	7.4		5.0	5.0	
90	16.4	16.2	15.6	10.0	10.0	9.4	7.4	7.4		5.0	5.0	
95	16.4	15.8	15.2	10.0	10.0	9.4	7.4	7.4	7.2	5.0	5.0	4.0
100	16.0	15.2	14.8	10.0	10.0	9.2	7.4	7.4	7.2	5.0	5.0	4.0
105	15.6	14.8	14.4	10.0	10.0	9.2	7.4	7.4	7.2	5.0	5.0	4.0
110	15.0	14.4	14.0	10.0	10.0	9.2	7.4	7.4	7.2	5.0	5.0	4.0
115	14.4	13.8	13.6	10.0	10.0	9.0	7.4	7.4	7.2	5.0	5.0	4.0
120	14.0	13.4	13.2	10.0	10.0	9.0	7.4	7.4	7.2	5.0	5.0	4.0
125	13.6	13.0	12.8	10.0	10.0	9.0	7.4	7.4	7.2	5.0	5.0	4.0
130	13.2	12.6	12.4	10.0	9.8	8.8	7.4	7.4	7.2	5.0	5.0	4.0
135	12.8	12.2	12.2	10.0	9.6	8.8	7.4	7.4	7.2	5.0	5.0	4.0
140	12.4	12.0	11.8	9.8	9.4	8.8	7.4	7.2	7.0	5.0	5.0	4.0
145	12.0	11.6	11.4	9.4	9.0	8.6	7.4	7.2	7.0	5.0	5.0	4.0
150	11.2	11.2	11.2	9.2	8.8	8.6	7.4	7.0	6.8	5.0	4.8	4.0
155	10.2	10.2	10.8	9.0	8.6	8.4	7.2	6.8	6.6	5.0	4.8	4.0
160	9.4	9.4	10.0	8.6	8.4	8.2	7.0	6.6	6.6	5.0	4.8	4.0
165	8.6	8.6	9.2	8.4	8.2	8.0	6.8	6.6	6.4	4.8	4.8	4.0
170	7.8	7.8	8.4	8.2	8.0	8.0	6.6	6.4	6.2	4.8	4.6	4.0
175	7.0	7.0	7.6	8.0	7.8	7.8	6.4	6.2	6.2	4.8	4.6	4.0
180	6.4	6.4	6.8	7.2	7.2	7.6	6.2	6.0	6.0	4.6	4.6	4.0
185	5.6	5.6	6.0	6.6	6.6	7.4	6.0	5.8	5.8	4.6	4.4	4.0
190	5.0	5.0	5.4	6.0	6.0	6.8	5.8	5.6	5.8	4.4	4.4	4.0
195	4.4	4.4	4.8	5.4	5.4	6.2	5.4	5.4	5.6	4.2	4.2	4.0
200	3.8	3.8		4.8	4.8	5.6	4.8	4.8	5.4	4.2	4.0	4.0
205	3.2	3.2		4.4	4.4	5.0	4.2	4.2	5.0	4.0	4.0	4.0
210	2.6	2.6		3.8	3.8	4.4	3.8	3.8	4.4	3.6	3.6	4.0
215	2.2	2.2		3.2	3.2	3.8	3.2	3.2	4.0	3.2	3.2	3.8
220				2.8	2.8	3.4	2.8	2.8	3.4	2.6	2.6	3.4
225				2.2	2.2	2.8	2.4	2.4	3.0	2.2	2.2	3.0
230							2.0	2.0	2.6			2.4
235									2.2			2.0

THIS CHART IS ONLY A GUIDE AND SHOULD NOT BE USED TO OPERATE THE CRANE.

The individual crane's load chart, operating instructions and other instructional plates must be read and understood prior to operating the crane.

# Load charts

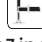
## Hydraulic offsettable swingaway

### Intermediate angle and loads for luffing

  
68 m  
(223 ft)

  
12-21-29-37 m  
(39-69-95-121 ft)

  
41 000 kg  
(90,300 lb)

  
26 ft 7 in spread  
(100%)

  
360°



Pounds (thousands)

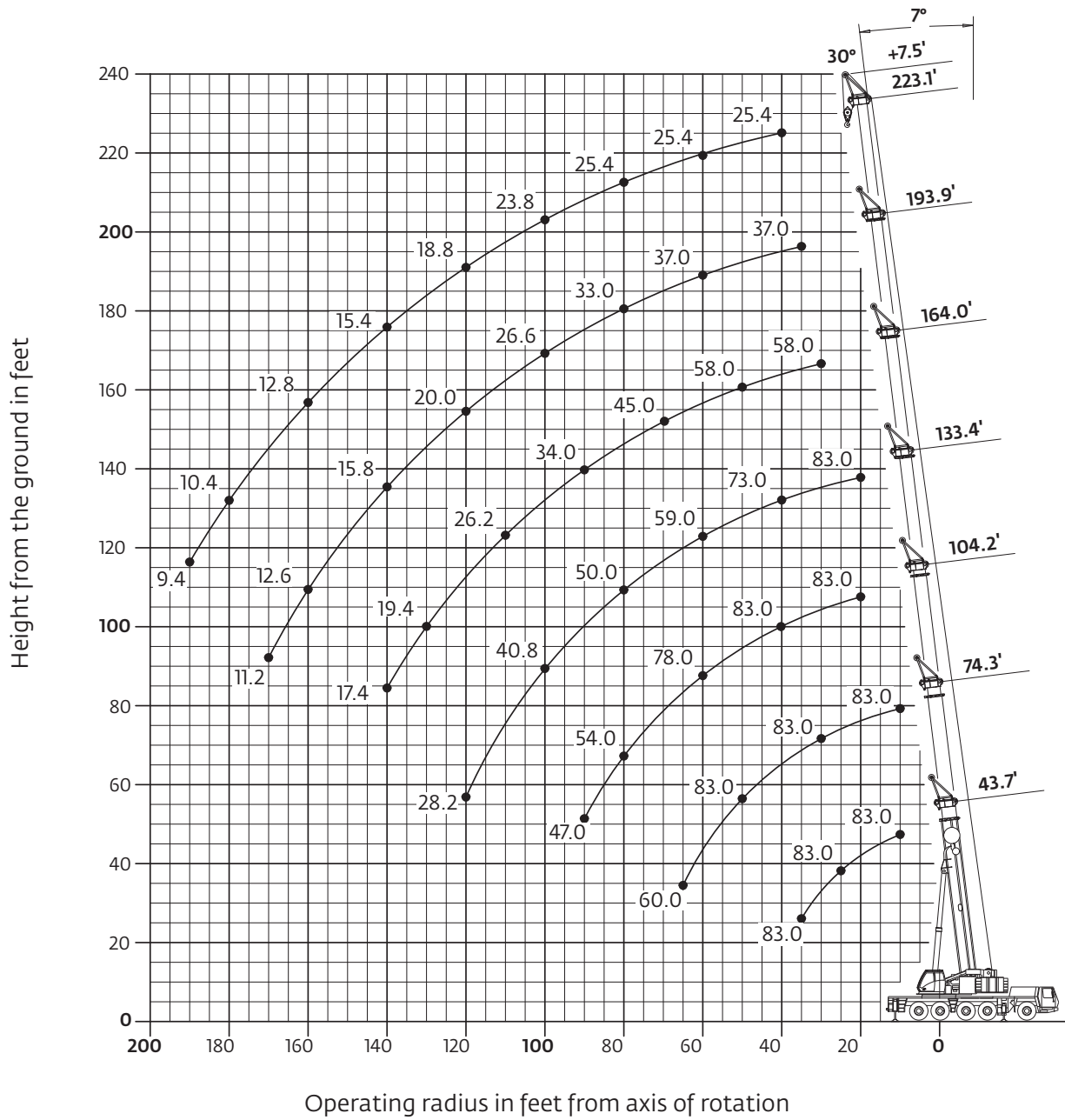
Radius	223' + 39.4'			223' + 68.9'			223' + 95.1'			223' + 121.4'		
	5°	5° - 20°	20° - 40°	5°	5° - 20°	20° - 40°	5°	5° - 20°	20° - 40°	5°	5° - 20°	20° - 40°
	X 1000 lb											
45	16.4											
50	16.4	16.4		10.0								
55	16.4	16.4		10.0			7.4					
60	16.4	16.4	16.4	10.0			7.4			5.0		
65	16.4	16.4	16.4	10.0			7.4			5.0		
70	16.4	16.4	16.4	10.0	10.0		7.4			5.0		
75	16.4	16.4	16.4	10.0	10.0		7.4	7.4		5.0		
80	16.4	16.4	16.4	10.0	10.0		7.4	7.4		5.0	5.0	
85	16.4	16.4	16.0	10.0	10.0		7.4	7.4		5.0	5.0	
90	16.4	16.2	15.6	10.0	10.0	9.4	7.4	7.4		5.0	5.0	
95	16.4	15.8	15.2	10.0	10.0	9.4	7.4	7.4	7.2	5.0	5.0	4.0
100	16.0	15.2	14.8	10.0	10.0	9.2	7.4	7.4	7.2	5.0	5.0	4.0
105	15.6	14.8	14.4	10.0	10.0	9.2	7.4	7.4	7.2	5.0	5.0	4.0
110	15.0	14.4	14.0	10.0	10.0	9.2	7.4	7.4	7.2	5.0	5.0	4.0
115	14.4	13.8	13.6	10.0	10.0	9.0	7.4	7.4	7.2	5.0	5.0	4.0
120	13.8	13.4	13.2	10.0	10.0	9.0	7.4	7.4	7.2	5.0	5.0	4.0
125	12.6	12.6	12.8	10.0	10.0	9.0	7.4	7.4	7.2	5.0	5.0	4.0
130	11.6	11.6	12.4	10.0	9.8	8.8	7.4	7.4	7.2	5.0	5.0	4.0
135	10.4	10.4	11.2	10.0	9.6	8.8	7.4	7.4	7.2	5.0	5.0	4.0
140	9.4	9.4	10.2	9.8	9.4	8.8	7.4	7.2	7.0	5.0	5.0	4.0
145	8.6	8.6	9.2	9.4	9.0	8.6	7.4	7.2	7.0	5.0	5.0	4.0
150	7.6	7.6	8.4	8.6	8.6	8.6	7.4	7.0	6.8	5.0	4.8	4.0
155	6.8	6.8	7.4	7.8	7.8	8.4	7.2	6.8	6.6	5.0	4.8	4.0
160	6.0	6.0	6.6	7.0	7.0	8.2	6.8	6.6	6.6	5.0	4.8	4.0
165	5.4	5.4	6.0	6.2	6.2	7.4	6.2	6.2	6.4	4.8	4.8	4.0
170	4.8	4.8	5.2	5.6	5.6	6.6	5.4	5.4	6.2	4.8	4.6	4.0
175	4.0	4.0	4.6	5.0	5.0	6.0	4.8	4.8	6.0	4.6	4.6	4.0
180	3.4	3.4	4.0	4.4	4.4	5.4	4.2	4.2	5.2	4.0	4.0	4.0
185	2.8	2.8	3.4	3.8	3.8	4.6	3.6	3.6	4.6	3.6	3.6	4.0
190	2.4	2.4	2.8	3.2	3.2	4.0	3.2	3.2	4.0	3.0	3.0	4.0
195			2.2	2.8	2.8	3.6	2.6	2.6	3.6	2.6	2.6	3.4
200				2.2	2.2	3.0	2.2	2.2	3.0	2.0	2.0	2.8
205						2.4			2.4			2.4
210						2.0			2.0			2.0

THIS CHART IS ONLY A GUIDE AND SHOULD NOT BE USED TO OPERATE THE CRANE.

The individual crane's load chart, operating instructions and other instructional plates must be read and understood prior to operating the crane.

# Working range

Heavy duty jib 6.6 ft



Hook heights shown in the working diagram do not consider loaded boom deflection.

THIS CHART IS ONLY A GUIDE AND SHOULD NOT BE USED TO OPERATE THE CRANE.

The individual crane's load chart, operating instructions and other instructional plates must be read and understood prior to operating the crane.

# Load charts


## Heavy duty jib

### Fixed angle

 13,3 m-68 m  
(44 ft-223 ft)

 2,3 m  
(7.5 ft)

 77 000 kg  
(169,700 lb)

 26 ft 7 in spread  
(100%)

 360°



Pounds (thousands)

Radius	43.7' + 7.5'		74.3' + 7.5'		104.2' + 7.5'		133.4' + 7.5'		164.0' + 7.5'		193.9' + 7.5'		223.1' + 7.5'	
	8°	30°	8°	30°	8°	30°	8°	30°	8°	30°	8°	30°	8°	30°
10.0		83.0		83.0										
15.0		83.0		83.0										
20.0		83.0		83.0		83.0		83.0						
25.0		83.0		83.0		83.0		83.0						
30.0	83.0	83.0		83.0		83.0		81.0		58.0				
35.0	83.0	83.0		83.0		83.0		77.0		58.0		37.0		
40.0				83.0		83.0		73.0		58.0		37.0		25.4
45.0				83.0		83.0		69.0		58.0		37.0		25.4
50.0			83.0	83.0		83.0		65.0		58.0		37.0		25.4
55.0			83.0	83.0		83.0		62.0		55.0		37.0		25.4
60.0			74.0			78.0		59.0		52.0		37.0		25.4
65.0			60.0			71.0		57.0		49.0		37.0		25.4
70.0						65.0		54.0		45.0		36.6		25.4
75.0					59.0	59.0		52.0		42.2		34.8		25.4
80.0					54.0	54.0		50.0		38.8		33.0		25.4
85.0					51.0	51.0		47.0		36.2		31.2		25.4
90.0					45.0	47.0		46.0		34.0		29.8		25.4
95.0							44.0	43.4		31.8		28.2		24.6
100.0							40.6	40.8		29.6		26.6		23.8
105.0							37.4	37.6		27.8		24.8		22.4
110.0							34.4	34.6		26.2		23.0		21.0
115.0							31.8	32.0		24.6		21.2		19.6
120.0							28.2			22.6		20.0		18.8
125.0										20.6		18.8		17.8
130.0										19.4		17.8		17.0
135.0										18.4		16.8		16.2
140.0										17.4		15.8		15.4
145.0												15.0		14.6
150.0												14.0		14.0
155.0												13.4		13.4
160.0												12.6		12.8
165.0												11.8		12.2
170.0												11.2		11.6
175.0														11.0
180.0														10.4
185.0														10.0
190.0														9.4

THIS CHART IS ONLY A GUIDE AND SHOULD NOT BE USED TO OPERATE THE CRANE.

# Load charts

## Heavy duty jib

### Fixed angle

 13,3 m-68 m (44 ft-223 ft)
  2,3 m (7.5 ft)
  51 000 kg (112,400 lb)
  26 ft 7 in spread (100%)
  360°

Radius	43.7' + 7.5'		74.3' + 7.5'		104.2' + 7.5'		133.4' + 7.5'		164.0' + 7.5'		193.9' + 7.5'		223.1' + 7.5'	
	8°	30°	8°	30°	8°	30°	8°	30°	8°	30°	8°	30°	8°	30°
10.0		83.0		83.0										
15.0		83.0		83.0										
20.0		83.0		83.0		83.0		83.0						
25.0		83.0		83.0		83.0		83.0						
30.0	83.0	83.0		83.0		83.0		81.0		58.0				
35.0	83.0	83.0		83.0		83.0		77.0		58.0		37.0		
40.0				83.0		83.0		73.0		58.0		37.0		25.4
45.0				83.0		83.0		69.0		58.0		37.0		25.4
50.0			78.0	79.0		81.0		65.0		58.0		37.0		25.4
55.0			67.0	68.0		72.0		62.0		55.0		37.0		25.4
60.0			57.0			64.0		59.0		52.0		37.0		25.4
65.0			52.0			57.0		54.0		48.0		37.0		25.4
70.0						51.0		48.0		43.4		36.6		25.4
75.0					45.0	45.0		43.6		39.2		34.8		25.4
80.0					40.0	40.6		39.6		35.4		33.0		25.4
85.0					36.0	36.4		36.2		32.0		31.2		25.4
90.0					32.4	32.8		32.8		29.0		28.8		25.4
95.0							29.2	29.6		26.4		26.2		24.6
100.0							26.4	26.8		24.0		23.8		23.8
105.0							24.0	24.2		21.8		21.8		22.4
110.0							22.2	22.0		19.8		19.8		20.8
115.0							20.8	20.4		17.8		18.2		19.2
120.0							20.0			16.0		17.0		17.6
125.0										14.4		16.2		16.2
130.0										12.8		15.4		14.8
135.0										12.0		14.6		13.6
140.0										11.4		14.0		12.6
145.0												13.4		11.4
150.0												12.4		10.4
155.0												11.4		9.4
160.0												10.4		8.4
165.0												9.8		7.6
170.0												9.0		6.8
175.0														6.0
180.0														5.2
185.0														4.4
190.0														3.8

# Symbols glossary



Axles



Counterweight



Grade



Gear



Boom



Drive



Heavy duty jib



Radius



Boom elevation



Electrical system



Hoist



Rotation



Boom extension



Engine



Hookblock



Speed



Boom length



Extension



Hydraulic system



Steering



Boom nose



Frame



Lights



Suspension



Brakes



Fuel tank capacity



Oil



Swing



Cab



Outriggers



Outrigger controls



Tires



Transmission

## Manitowoc Cranes

### Regional headquarters

#### Americas

**Manitowoc, Wisconsin, USA**

Tel: +1 920 684 6621

Fax: +1 920 683 6277

**Shady Grove, Pennsylvania, USA**

Tel: +1 717 597 8121

Fax: +1 717 597 4062

#### Europe, Middle East, Africa

**Dardilly, France**

Tel: +33 (0)4 72 18 20 20

Fax: +33 (0)4 72 18 20 00

#### China

**Shanghai, China**

Tel: +86 21 6457 0066

Fax: +86 21 6457 4955

#### Greater Asia-Pacific

**Singapore**

Tel: +65 6264 1188

Fax: +65 6862 4040

### Regional offices

#### Americas

**Brazil**

Alphaville

**Mexico**

Monterrey

**Chile**

Santiago

#### Europe, Middle East,

**Africa**

**France**

Baudemont

Cergy

Decines

**Germany**

Langenfeld

**Italy**

Lainate

**Netherlands**

Breda

**Poland**

Warsaw

**Portugal**

Baltar

**Russia**

Moscow

**South Africa**

Johannesburg

**U.A.E.**

Dubai

**U.K.**

Buckingham

#### China

Beijing

Chengdu

Guangzhou

Xian

#### Greater Asia-Pacific

**Australia**

Brisbane

Melbourne

Sydney

**India**

Chennai

Delhi

Hyderabad

Pune

**Korea**

Seoul

**Philippines**

Makati City

**Singapore**

### Factories

**Brazil**

Passo Fundo

**China**

TaiAn

Zhangjiagang

**France**

Charlieu

Moulins

**Germany**

Wilhelmshaven

**India**

Pune

**Italy**

Niella Tanaro

**Portugal**

Baltar

Fânzeres

**USA**

Manitowoc

Port Washington

Shady Grove

This document is non-contractual. Constant improvement and engineering progress make it necessary that we reserve the right to make specification, equipment, and price changes without notice. Illustrations shown may include optional equipment and accessories and may not include all standard equipment.